

**INSTALLER: LEAVE THIS MANUAL WITH THE APPLIANCE.
CONSUMER: RETAIN THIS MANUAL FOR FUTURE REFERENCE.
NEVER LEAVE CHILDREN OR OTHER AT RISK INDIVIDUALS ALONE WITH THE APPLIANCE.**



INSTALLATION AND OPERATING INSTRUCTIONS

EN

FR
PG
27

CERTIFIED UNDER: ANSI Z21.60 / CSA 2.26 DECORATIVE GAS APPLIANCES FOR INSTALLATION IN SOLID-FUEL BURNING APPLIANCES

GL22N, GL28N, GL32N
NATURAL GAS

GL22P, GL28P, GL32P
PROPANE

CERTIFIED FOR CANADA AND UNITED STATES USING ANSI/CSA METHODS.

SAFETY INFORMATION

WARNING

If the information in these instructions are not followed exactly, a fire or explosion may result causing property damage, personal injury or loss of life.

- Do not store or use gasoline or other flammable vapors and liquids in the vicinity of this or any other appliance.
- **WHAT TO DO IF YOU SMELL GAS:**
 - Do not try to light any appliance.
 - Do not touch any electrical switch; do not use any phone in your building.
 - Immediately call your gas supplier from a neighbour's phone. Follow the gas supplier's instructions.
 - If you cannot reach your gas supplier, call the fire department.
- Installation and service must be performed by a qualified installer, service agency or the supplier.

This appliance may be installed in an aftermarket, permanently located, manufactured home (USA only) or mobile home, where not prohibited by local codes.

This appliance is only for use with the type of gas indicated on the rating plate. This appliance is not convertible for use with other gases, unless a certified kit is used.



GL22



GL28



GL32



APPLY SERIAL NUMBER LABEL FROM CARTON



Wolf Steel Ltd., 24 Napoleon Rd., Barrie, ON, L4M 0G8 Canada /
103 Miller Drive, Crittenden, Kentucky, USA, 41030

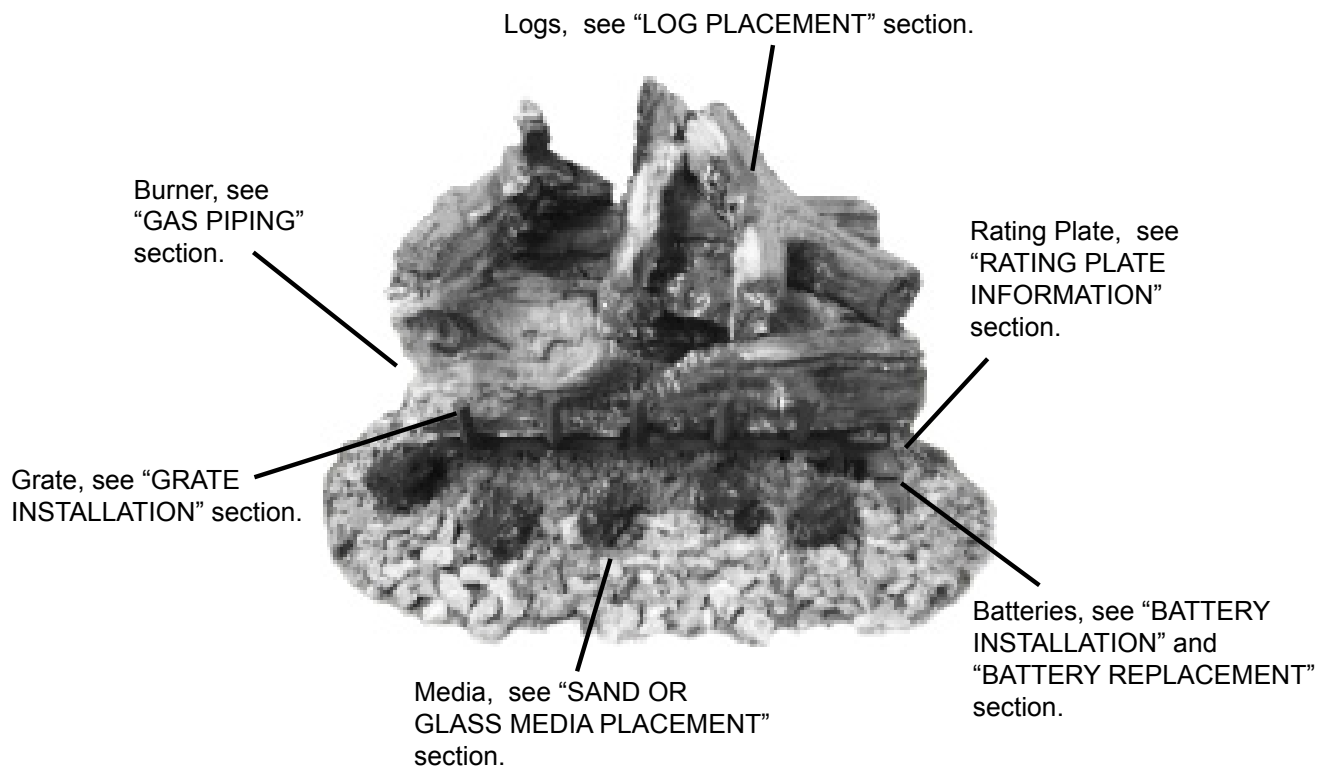
Phone (705)721-1212 • Fax (705)722-6031 • www.napoleonfireplaces.com • hearth@napoleonproducts.com

TABLE OF CONTENTS

INSTALLATION OVERVIEW	2
INTRODUCTION	3
DIMENSIONS	4
GENERAL INSTRUCTIONS	5
GENERAL INFORMATION	6
MINIMUM FIREPLACE CAVITY SIZE	6
RATING PLATE	6
INSTALLATION	7
BATTERY INSTALLATION	7
GAS PIPING AND BURNER PLACEMENT	8
DAMPER STOP INSTALLATION	9
FINISHING	10
SAND OR GLASS MEDIA PLACEMENT	10
GRATE INSTALLATION	10
CHARCOAL LUMPS/EMBERS	10
LOG PLACEMENT	11
GL22	11
GL28	12
GL32	12
MOBILE HOME INSTALLATION	13
OPTIONAL REMOTE INSTALLATION (NOT SUPPLIED)	13
WIRING DIAGRAM	14
OPERATION	15
OPERATING AND LIGHTING INSTRUCTIONS	15
ADJUSTMENTS	16
PILOT BURNER ADJUSTMENT	16
FLAME CHARACTERISTICS	16
MAINTENANCE	17
BATTERY REPLACEMENT	17
REPLACEMENTS	18
TROUBLESHOOTING	21
WARRANTY	23
SERVICE HISTORY	24
NOTES	25

NOTE: Changes, other than editorial, are denoted by a vertical line in the margin.


1.0 INSTALLATION OVERVIEW



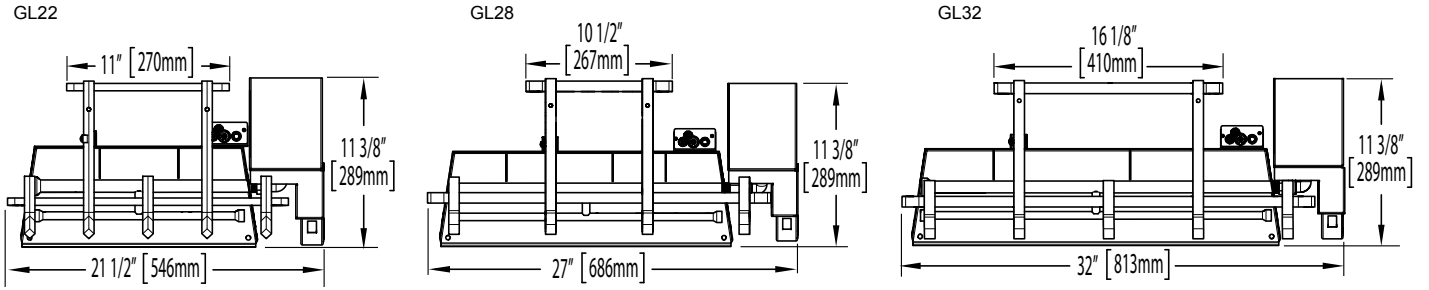
2.0 INTRODUCTION

WARNING

- **THIS APPLIANCE IS HOT WHEN OPERATED AND CAN CAUSE SEVERE BURNS IF CONTACTED.**
- **ANY CHANGES OR ALTERATIONS TO THIS APPLIANCE OR IT'S CONTROLS CAN BE DANGEROUS AND IS PROHIBITED.**
- Do not operate appliance before reading and understanding operating instructions. Failure to operate appliance according to operating instructions could cause fire or injury.
- Risk of fire or asphyxiation do not operate appliance with fixed glass removed.
- Do not connect 110 volts to the control valve.
- Risk of burns. The appliance should be turned off and cooled before servicing.
- Do not install damaged, incomplete or substitute components.
- Risk of cuts and abrasions. Wear protective gloves and safety glasses during installation. Sheet metal edges may be sharp.
- Do not burn wood or other materials in this appliance.
- **Children and adults should be alerted to the hazards of high surface temperature and should stay away to avoid burns or clothing ignition.**
- **Young children should be carefully supervised when they are in the same room as the appliance. Toddlers, young children and others may be susceptible to accidental contact burns. A physical barrier is recommended if there are at risk individuals in the house. To restrict access to an appliance or stove, install an adjustable safety gate to keep toddlers, young children and other at risk individuals out of the room and away from hot surfaces.**
- **Clothing or other flammable material should not be placed on or near the appliance.**
- **Due to high temperatures, the appliance should be located out of traffic and away from furniture and draperies.**
- Ensure you have incorporated adequate safety measure to protect infants/toddlers from touching hot surfaces.
- Even after the appliance is out, the glass and/or screen will remain hot for an extended period of time.
- Check with your local hearth specialty dealer for safety screens and hearth guards to protect children from hot surfaces. These screens and guards must be fastened to the floor.
- **Any safety screen, guard or barrier removed for servicing the appliance, must be replaced prior to operating the appliance.**
- This appliance is a vented gas-fired appliance. Do not burn wood or other materials in this appliance.
- It is imperative that the control compartments, burners and circulating blower and its passageway in the appliance and venting system are kept clean. The appliance and its venting system should be inspected before use and at least annually by a qualified service person. More frequent cleaning may be required due to excessive lint from carpeting, bedding material, etc. The appliance area must be kept clear and free from combustible materials, gasoline and other flammable vapors and liquids.
- Under no circumstances should this appliance be modified.
- This appliance must not be connected to a chimney flue pipe serving a separate solid fuel burning appliance.
- Do not use this appliance if any part has been under water. Immediately call a qualified service technician to inspect the appliance and to replace any part of the control system and any gas control which has been under water.
- Do not operate the appliance with the glass door removed, cracked or broken. Replacement of the glass should be done by a licensed or qualified service person.
- Do not strike or slam shut the appliance glass door.
- **Only doors / optional fronts certified with the unit are to be installed on the appliance.**
- Keep the packaging material out of reach of children and dispose of the material in a safe manner. As with all plastic bags, these are not toys and should be kept away from children and infants.
- As with any combustion appliance, we recommend having your appliance regularly inspected and serviced as well as having a Carbon Monoxide Detector installed in the same area to defend you and your family against Carbon Monoxide.
- Ensure clearances to combustibles are maintained when building a mantel or shelves above the appliance. Elevated temperatures on the wall or in the air above the appliance can cause melting, discoloration or damage to decorations, a T.V. or other electronic components.
- **A barrier designed to reduce the risk of burns from the hot viewing glass is provided with this appliance and shall be installed.**
- **If the barrier becomes damaged, the barrier shall be replaced with the manufacturer's barrier for this appliance.**
- **Installation and repair should be done by a qualified service person. The appliance should be inspected before use and at least annually by a professional service person. More frequent cleaning may be required due to excessive lint from carpeting, bedding material, etc. It is imperative that control compartments, burners and circulating air passageways of the appliance be kept clean.**

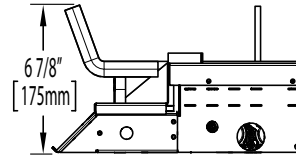
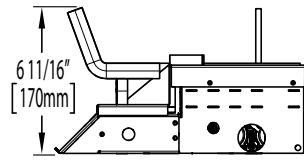
 **WARNING:** This product can expose you to chemicals including lead and lead compounds, which are known to the State of California to cause cancer, and chemicals including carbon monoxide, which are known to the State of California to cause birth defects or other reproductive harm. For more information, go to www.P65Warnings.ca.gov.

2.1 DIMENSIONS




GL22

GL28 / GL32



2.2 GENERAL INSTRUCTIONS

 WARNING
ALWAYS LIGHT THE PILOT WHETHER FOR THE FIRST TIME OR IF THE GAS SUPPLY HAS RUN OUT, WITH THE GLASS DOOR OPENED OR REMOVED.
PROVIDE ADEQUATE CLEARANCE FOR SERVICING AND OPERATING THE APPLIANCE.
PROVIDE ADEQUATE VENTILATION.
NEVER OBSTRUCT THE FRONT OPENING OF THE APPLIANCE.
OBJECTS PLACED IN FRONT OF THE APPLIANCE MUST BE KEPT A MINIMUM OF 48" FROM THE FRONT FACE OF THE UNIT.
SURFACES AROUND AND ESPECIALLY ABOVE THE APPLIANCE CAN BECOME HOT. AVOID CONTACT WHEN THE APPLIANCE IS OPERATING.
FIRE RISK. EXPLOSION HAZARD.
HIGH PRESSURE WILL DAMAGE VALVE. DISCONNECT GAS SUPPLY PIPING BEFORE PRESSURE TESTING GAS LINE AT TEST PRESSURES ABOVE 1/2 PSIG. CLOSE THE MANUAL SHUT-OFF VALVE BEFORE PRESSURE TESTING GAS LINE AT TEST PRESSURES EQUAL TO OR LESS THAN 1/2 PSIG.
USE ONLY WOLF STEEL APPROVED OPTIONAL ACCESSORIES AND REPLACEMENT PARTS WITH THIS APPLIANCE. USING NON-LISTED ACCESSORIES (BLOWERS, DOORS, LOUVRES, TRIMS, GAS COMPONENTS, VENTING COMPONENTS, ETC.) COULD RESULT IN A SAFETY HAZARD AND WILL VOID THE WARRANTY AND CERTIFICATION.
DO NOT USE A BLOWER INSERT, HEAT EXCHANGER INSERT OR ANY OTHER ACCESSORY NOT APPROVED FOR USE WITH THIS APPLIANCE

Thoroughly clean the chimney, flue and existing appliance before installing the new appliance into it. Do not burn solid fuels in any appliance that is equipped with this gas log set.

The installation of this appliance must conform with local codes or in the absence of local codes, it must conform to ANSI Z.223.1/NFPA 54 or the CAN/CGA B149. The installation and the provisions for combustion and ventilation air must conform with the *National Fuel Gas Code, ANSI Z223.1/NFPA 54, or the CSA B149.1, Natural Gas and Propane Installation Code*. The installation of appliances designed for manufactured home (U.S. only) or mobile home installation must conform with the Standard *CAN/CSA Z240 MH, Mobile Housing, in Canada, or with the Manufactured Home Construction and Safety Standard, Title 24 CFR, Part 3280, in the United States, or when such a standard is not applicable, ANSI/NCSBCS A225.1/NFPA 501A, Manufactured Home Installations Standard*.

Do not operate appliance in the presence of gasoline or other flammable liquids and vapours. Keep area clear of other combustible materials. The appliance and its shut off must be disconnected from the gas supply piping system before any pressure testing of the system is done.

Installation practices vary from region to region and it is important to know the specifics that apply to your area,

For example: in Massachusetts State:

- This product must be installed by a licensed plumber or gas fitter when installed within the commonwealth of Massachusetts.
- The appliance damper must be removed or welded in the open position prior to installation of an appliance insert or gas log.
- The appliance off valve must be a "T" handle gas cock.
- The flexible connector must not be longer than 36" (914.4mm).
- The appliance is not approved for installation in a bedroom or bathroom unless the appliance is a direct vent sealed combustion product.
- A carbon monoxide detector is required in all rooms containing gas fired appliances.

No external electricity (110 volts or 24 volts) is required for the gas system operation.

**NATIONAL
FIREPLACE
INSTITUTE**



CERTIFIED

www.nficertified.org

We suggest that our gas hearth products be installed and serviced by professionals who are certified in the U.S. by the National Fireplace Institute® (NFI) as NFI Gas Specialists

GENERAL INFORMATION

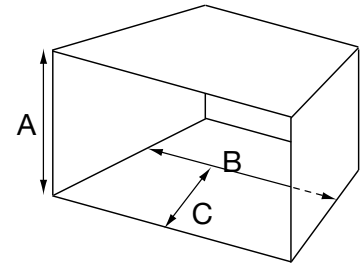
**WARNING****THIS APPLIANCE MUST NOT BE INSTALLED IN A BEDROOM OR BATHROOM.**

	GL22		GL28		GL32	
	NG	LP	NG	LP	NG	LP
Altitude (FT)	0-4,500	0-4,500	0-4,500	0-4,500	0-4,500	0-4,500
Max input (BTU/HR)	70,000	50,000	80,000	65,000	90,000	65,000
Min Inlet Gas Supply Pressure	4.5" InWc (11.2mb)	11" InWc (27.4mb)	4.5" InWc (11.2mb)	11" InWc (27.4mb)	4.5" InWc (11.2mb)	11" InWc (27.4mb)
Max Inlet Gas Supply Pressure	7" InWc (17.4mb)	13" InWc (32.4mb)	7" InWc (17.4mb)	13" InWc (32.4mb)	7" InWc (17.4mb)	13" InWc (32.4mb)
Manifold Pressure (Under Flow Conditions)	3.5" InWc (8.7mb)	10" InWc (25mb)	3.5" InWc (8.7mb)	10" InWc (25mb)	3.5" InWc (8.7mb)	10" InWc (25mb)

2.4 MINIMUM FIREPLACE CAVITY SIZE

LOG SET	HEIGHT	REAR WIDTH	DEPTH
	A	B	C
GL22	20" (508mm)	23" (584.2mm)	14" (355.6mm)
GL28	20" (508mm)	29" (736.6mm)	14" (355.6mm)
GL32	22" (558.8mm)	33" (838.2mm)	14" (355.6mm)

Do not install the gas log set into a cavity smaller than that referenced in the table.



2.5 RATING PLATE

CERTIFIED UNDER / HOMOLOGUE SELON LES NORMES: ANSI Z21.60-2003/CSA 2.26-2003 (R 2009), DECORATIVE APPLIANCE FOR INSTALLATION IN SOLID-FUEL BURNING

WARNING: IMPROPER INSTALLATION, ADJUSTMENT, ALTERATION, SERVICE OR MAINTENANCE CAN CAUSE INJURY OR PROPERTY DAMAGE. REFER TO THE OWNER'S INFORMATION MANUAL PROVIDED WITH THIS APPLIANCE. FOR ASSISTANCE OR ADDITIONAL INFORMATION, CONSULT A QUALIFIED INSTALLER, SERVICE AGENCY OR THE GAS SUPPLIER.

AVERTISSEMENT: UNE INSTALLATION NON CONFORME, DES AJUSTEMENTS, DES ALTERATIONS, UN SERVICE OU UN ENTRETIEN INADEQUATS PEUVENT CAUSER DES DOMMAGES MATERIELS OU DES BLESSURES CORPORELLES. REFÉREZ-VOUS AU MANUEL D'INSTRUCTIONS FOURNI AVEC CET APPAREIL. POUR DE L'ASSISTANCE OU POUR PLUS D'INFORMATION, CONSULTEZ UN INSTALLATEUR QUALIFIÉ, UNE AGENCE D'ENTRETIEN OU LE FOURNISSEUR DE GAZ.

NATURAL GAS MODELS

GL22N GL28N GL32N

70,000BTU/h 80,000BTU/h 90,000BTU/h

0-4500FT (0-1370m)

3.5" WATER COLUMN/D'UNE COLONNE D'EAU
4.5" WATER COLUMN/D'UNE COLONNE D'EAU
7.0" WATER COLUMN/D'UNE COLONNE D'EAU

PROPANE MODELS

GL22P GL28P GL32P

50,000BTU/h 65,000BTU/h 65,000BTU/h

0-4500FT (0-1370m)

10" WATER COLUMN/D'UNE COLONNE D'EAU
11" WATER COLUMN/D'UNE COLONNE D'EAU
13" WATER COLUMN/D'UNE COLONNE D'EAU

INPUT / ALIMENTATION

ALTIMUDE / ÉLEVATION

MANIFOLD PRESSURE / PRESSION AU COLLECTEUR

MINIMUM SUPPLY PRESSURE / PRESSION D'ALIMENTATION MINIMALE

MAXIMUM SUPPLY PRESSURE / PRESSION D'ALIMENTATION MAXIMALE

WARNING: DO NOT ADD ANY MATERIAL TO THE APPLIANCE, WHICH WILL COME IN CONTACT WITH THE FLAMES, OTHER THAN THAT SUPPLIED BY THE MANUFACTURER WITH THE APPLIANCE. FOR INSTALLATION IN A SOLID-FUEL BURNING FIREPLACE ONLY. THE FIREPLACE CHIMNEY MUST HAVE A PERMANENT VENT OPENING TO ATMOSPHERE OF NOT LESS THAN 56.6" FOR GL22, 64" FOR GL28, 71.4" FOR GL32, OR AS DETERMINED BY THE MANUFACTURER'S INSTALLATION INSTRUCTIONS.

AVERTISSEMENT: N'AJOUTEZ AUCUN MATÉRIAU À CET APPAREIL QUI ENTRERA EN CONTACT AVEC LES FLAMMES AUTRE QUE CELUI QUI EST FOURNI AVEC CET APPAREIL PAR LE FABRICANT. POUR INSTALLATION DANS UN FOYER À COMBUSTIBLE SOLIDE SEULEMENT. LA CHEMINÉE DU FOYER DOIT POSSÉDER UN OUVERTURE D'ÉVACUATION PERMANENTE À L'AIR EXTÉRIEUR DE NON MOINS DE 56,6" POUR LE GL22, DE 64" POUR LE GL28 ET 71,4" POUR LE GL32 OU SELON LES INSTRUCTIONS D'INSTALLATION DU FABRICANT.

FOR YOUR SAFETY: DO NOT STORE OR USE GASOLINE OR OTHER FLAMMABLE VAPOURS AND LIQUIDS IN THE VICINITY OF THIS OR ANY OTHER APPLIANCE.

POUR VOTRE SÉCURITÉ: N'ENTREPOSEZ PAS ET N'UTILISEZ PAS D'ESSENCE OU AUTRES LIQUIDES ET VAPEURS INFLAMMABLES À PROXIMITÉ DE CET OUT TOUT AUTRE APPAREIL.

FOR MINIMUM CHIMNEY FLUE SEE INSTRUCTION MANUAL. POUR LES DIMENSIONS MINIMALES DE LA CHEMINÉE, CONSULTEZ LE MANUEL D'INSTRUCTIONS

MINIMUM FIREPLACE SIZE / DIMENSIONS MINIMALES DU FOYER

UNIT / APPAREIL	HEIGHT / HAUTEUR	WIDTH / LARGEUR	DEPTH / PROFONDEUR
GL22	20"	23"	14"
GL28	20"	29"	14"
GL32	22"	33"	14"

(WSL) (NAC) (NGZ) (WUSA)

WOLF STEEL LTD.
24 NAPOLEON ROAD, BARRIE, ONTARIO L4M 0G8 CANADA

SERIAL NUMBER/NO. DE SERIE: **GSL**

W385-0677 A

THE RATING PLATE IS CHAINED TO THE LEG OF THE VALVE CASE AND SHOULD BE TUCKED UNDER

This rating plate illustration is for reference only. Refer to the rating plate on the appliance for accurate information.

NOTE: The rating plate must remain with the appliance at all times. It must not be removed.

3.0 INSTALLATION

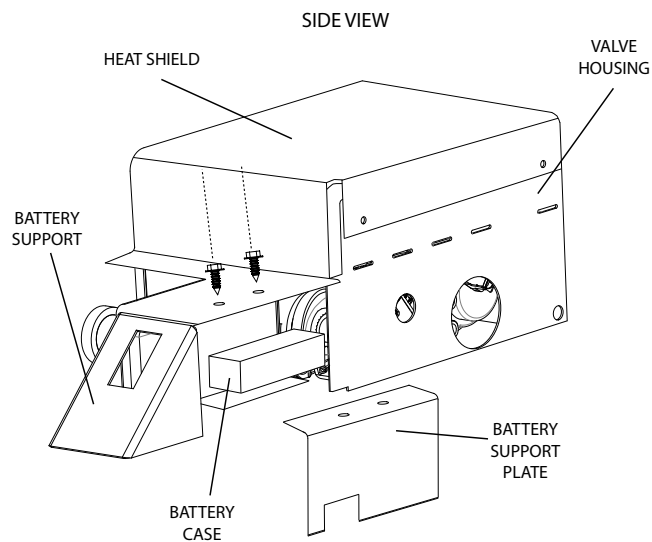
! WARNING

THIS APPLIANCE MUST BE INSTALLED IN A SOLID-FUEL BURNING FIREPLACE WITH A WORKING FLUE AND CONSTRUCTED OF NON-COMBUSTIBLE MATERIAL.

The appliance and gas logs function as a system. If the appliance is not drafting properly and spilling into the room (check with a match or a smoke stick), reposition the damper clamp until a positive draft is obtained by opening the damper. If negative pressure in home prevents having a positive draft, consult an air quality specialist.

3.1 BATTERY INSTALLATION

- A. Remove the 2 screws securing the support plate to gain access to the battery case, as shown below.
- B. Install the four 1.5V batteries (supplied) into the battery case.
- C. Insert the assembled battery case into the battery support. Ensure that the heat insulation gasket covers the top and left side of the battery case, as shown below
- D. Reinstall the battery support plate.



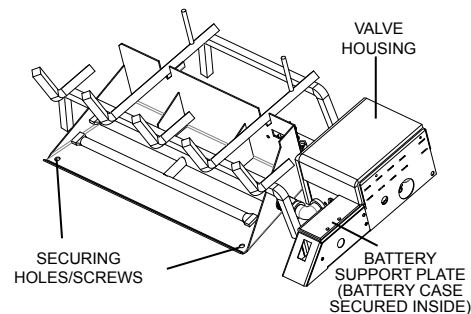
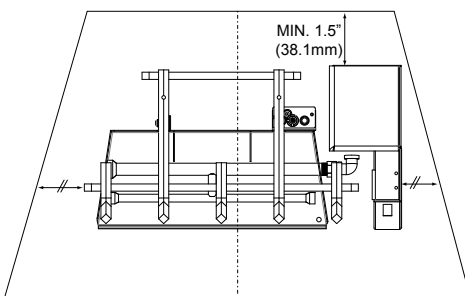
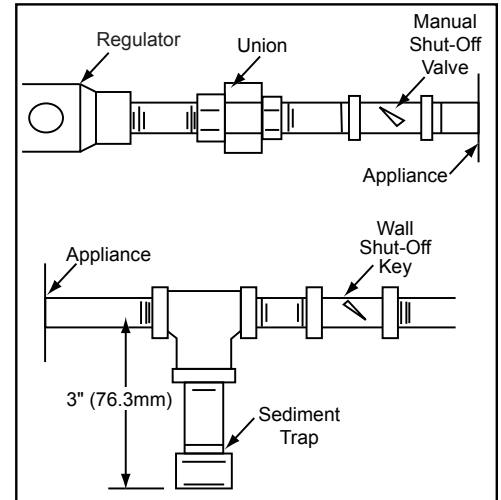
3.2 GAS PIPING AND BURNER PLACEMENT

! WARNING

DO NOT CONNECT EITHER THE WALL SWITCH, THERMOSTAT OR GAS VALVE TO ELECTRICITY (110 VOLTS).

This appliance must be isolated from the gas supply piping system by closing the individual manual shut off valve during any pressure testing of the gas supply piping system at test pressure equal to or less than ½ psi (3.5 kPa)

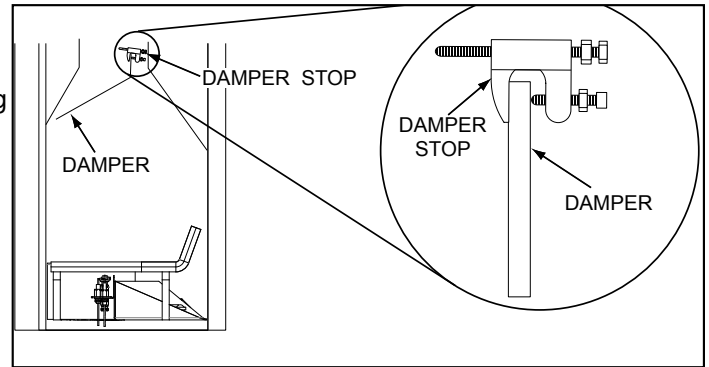
- A. Centre the burner pan and valve assembly in the fireplace opening, making sure the appliance is at least 1.5" (38.1mm) from the rear of the fireplace.
- B. Secure the burner to the fireplace floor using the 2 screws provided.
- C. Install the gas line using piping ½" (12.7mm) in diameter or greater to provide the full volume of gas to the appliance. The installation of the gas line must be done to local and / or National codes.
- D. When rigid pipe is used an ANSI approved manual shut off and a union must be installed upstream within the appliance cavity.
- E. To ensure the appliance operates reliably, install a sediment trap upstream of the appliance within the structures of the piping system.
- F. When using propane, a regulator must be used between the tank and the outside wall of the house to ensure the line pressure does not exceed 14"(355.6mm) w.c. inside the house.
- G. Check gas connections with a gas detection device to test for leaks in the system. Soapy water mixture can also be used to check for leaks.
- H. Once all the gas connections are tested for leaks, start the appliance. Follow the "OPERATING AND LIGHTING INSTRUCTIONS" section to ensure the appliance is working properly before finishing.



3.3 DAMPER STOP INSTALLATION

The damper must be permanently locked in position to prevent full closure and to provide a minimum flue opening. Various methods for locking the damper may be used but may be restricted from region to region and it is important to know the specifics that apply to your area. For your convenience a damper stop is provided with the appliance and may be used where not prohibited by state or local codes.

Use the 3" (72.6mm) adjustable bolt to adjust the damper to the correct opening, based on the enclosed chart.



Should the damper stop not fit, or provide the required permanent opening (see "Minimum Damper Opening Chart"), have the damper cut to provide a minimum permanent opening or install an alternate stop.

Creosote, ashes and loose paint must be cleaned from the chimney flue and firebox by a qualified chimney cleaner, before installing in a solid fuel burning appliance. Any outside air ducts and / or ash dumps in the fireplace shall be permanently closed at time of appliance installation.

If the damper stop (supplied) is not applicable the damper may be fixed open by the following method:

- Drill a hole in either end of the damper.
- Using a bolt of sufficient length and adjustment, with 2 nuts, secure to damper through the hole.
- Adjust to correct opening.

*CHIMNEY HEIGHT	MINIMUM DAMPER OPENING		
	GL22	GL28	GL32
6' (1.8m)	56.6" (1439mm)	64" (6125.6mm)	71.4" (1813.5mm)
8' (2.4m)	52.4" (1331mm)	59.7" (1516.8mm)	66.9" (1699.2mm)
10' (3m)	48.2" (1224.2mm)	54.3" (1379.2mm)	60.2" (1529mm)
15' (4.6m)	43.2" (1097.2mm)	48.8" (1239.5mm)	54.1" (1374.1mm)
20' (6m)	39.8" (1011mm)	44.4" (1127.7mm)	49.1 (1247.1mm)
30' (9.1m)	35.9" (911.8mm)	40.3" (1023.6mm)	44.5 (1130.3mm)

* Height is measured from the hearth to the top of the chimney.

4.0 FINISHING

EN

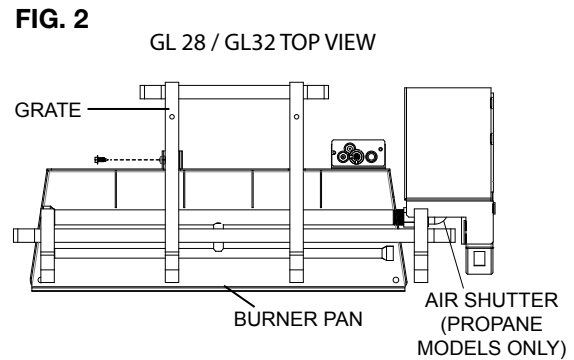
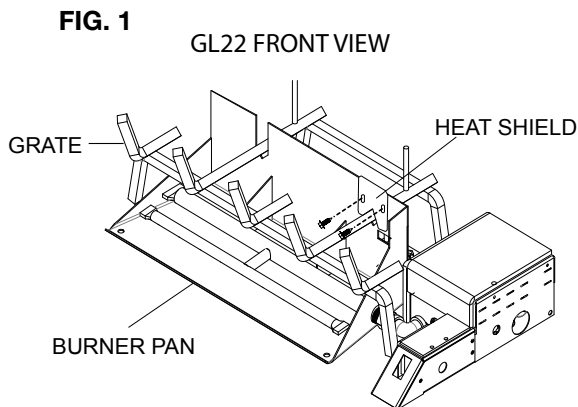
4.2 SAND OR GLASS MEDIA PLACEMENT

- Either sand for natural gas models (GL22N, GL28N, GL32N) or glass for propane models (GL22P, GL28P, GL32P), must be spread evenly over the burner pan with a gradual downward slope toward the front of the burner pan.
- Tear the ember material into small thin pieces and spread evenly on top of the media. Ember material will only glow when exposed to direct flame.

NOTE: DO NOT OVERFILL. DO NOT COVER THE PILOT WITH MEDIA OR EMBERS.

4.1 GRATE INSTALLATION

- For the best flame performance and least carbon, position the grate as far back as possible.
- Secure the heat shield to the back of the burner pan with the 2 supplied screws (for GL22 model only), see Figure 1.
- Secure the grate to the burner pan (GL28/GL32 models only) using one supplied screw, see Figure 2.



4.3 CHARCOAL LUMPS/EMBERS

- Sprinkle the charcoal embers around the front and sides of the burner pan, as indicated on the diagram below.
- Place the charcoal lumps on top of the charcoal embers at the front of the media.

NOTE: Do not block air shutter opening with charcoal embers or lumps.



4.4 LOG PLACEMENT

! WARNING
FAILURE TO POSITION THE LOGS IN ACCORDANCE WITH THESE DIAGRAMS OR FAILURE TO USE ONLY LOGS SPECIFICALLY APPROVED WITH THIS APPLIANCE MAY RESULT IN PROPERTY DAMAGE OR PERSONAL INJURY.
LOGS MUST BE PLACED IN THEIR EXACT LOCATION IN THE APPLIANCE. DO NOT MODIFY THE PROPER LOG POSITIONS, SINCE APPLIANCE MAY NOT FUNCTION PROPERLY AND DELAYED IGNITION MAY OCCUR.
THE LOGS ARE FRAGILE AND SHOULD BE HANDLED WITH CARE.

76.1A

Phazer™ logs, exclusive to Napoleon Appliances, they provide a unique and realistic glowing effect that is different in every installation. Failure to follow these log placement instructions may increase sooting.

Log colours may vary. During the initial use of the appliance, the colours will become more uniform as colour pigments burn in during the heat activated curing process.

Positioning the logs improperly will increase flame impingement and carboning.

Blocked burner ports can cause an incorrect flame pattern, carbon deposits and delayed ignition. Use only certified Phazer™ logs available from your authorized dealer/distributor.

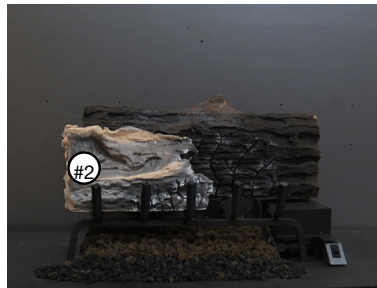
THE SUPPLIED LOG SETS ARE REVERSIBLE!

This feature allows you the option of displaying two different log styles in one log set.

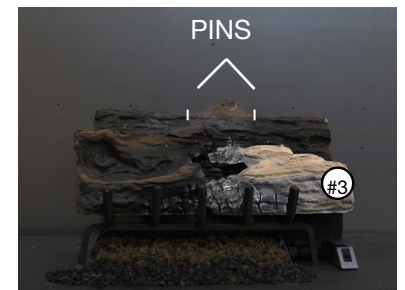
4.4.1 GL22



Place the rear log (#1) onto the 2 pins ensure the log is pushed flush against the burner support, to the rear of the unit, as shown.



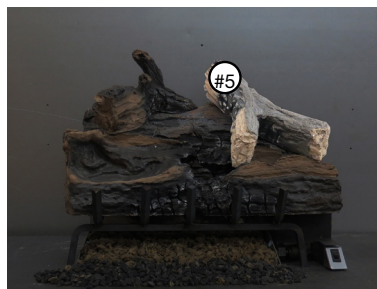
Place log (#2) onto the grate on the left side as shown.



Place log (#3) onto the grate on the right side as shown. Place the pins into log (#1) as shown.



Place log (#4) onto the left side pin as shown.

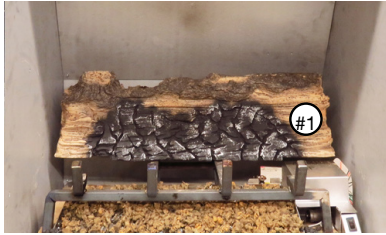


Place log (#5) onto the right side pin as shown.



Place log (#6) onto log (#1) and allow it to rest on log (#2).

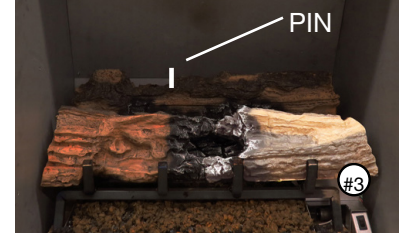
4.4.2 GL28



Place log (#1) onto the two pins and ensure the log is pushed flush against the burner support, to the rear of the unit, as shown.



Place log (#2) directly onto the grate and ensure it is pulled to the front left side of the grate.



Place log (#3) onto the grate and ensure it is pulled to the front right side. Ensure the two logs are centered onto the grate. Insert one pin into the hole of the back log as



Place log (#4) onto the pin.



Place log(#5) as shown and allow it rest on the top of the previously placed logs. Place one pin onto the right side of the largest log as shown.



Place log (#6) onto the pin.

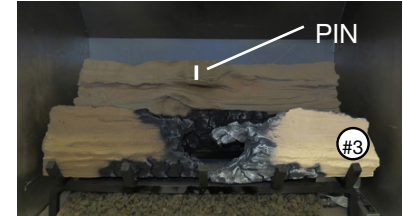
4.4.3 GL32



Place the rear log (#1) onto the 2 pins on the grate as shown.



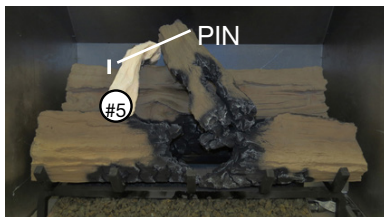
Place log (#2) onto the grate as shown.



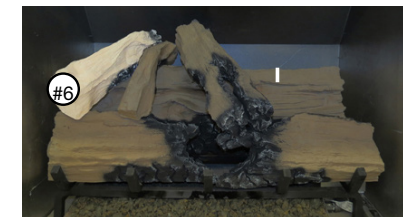
Place log (#3) onto the grate as shown. Place one pin into centre of log (#1).



Place log (#4) onto the pin.



Place log (#5) onto rear log and let it rest on log (#2). Place a second pin into log (#1) as shown.



Place log (#6) onto the pin as shown. Place the remaining pin into log (#1) as shown.



Place log (#7) onto the pin as shown.

4.5 MOBILE HOME INSTALLATION

This appliance must be installed in accordance with the manufacturer's instructions and the Manufactured Home Construction and Safety Standard, Title 24 CFR, Part 3280, in the United States or the Mobile Home Standard, CAN/CSA Z240 MH Series, in Canada. This appliance is only for use with the type(s) of gas indicated on the rating plate.

This Mobile/Manufactured Home Listed appliance comes factory equipped with a means to secure the unit. Built in appliances are equipped with 1/4" (6.4mm) diameter holes located in the front left and right corners of the base. Use #10 hex head screws, inserted through the holes in the base to secure. For free standing products contact your local authorized dealer / distributor for the appropriate securing kit. For mobile home installations, the appliance must be fastened in place. It is recommended that the appliance be secured in all installations. Always turn off the pilot and the fuel supply at the source, prior to moving the mobile home. After moving the mobile home and prior to lighting the appliance, ensure that the logs are positioned correctly.

This appliance is certified to be installed in an aftermarket permanently located, manufactured (mobile) home, where not prohibited by local codes. This appliance is only for use with the type of gas indicated on the rating plate. This appliance is not convertible for use with other gases, unless a certified kit is used.

Conversion Kits

This appliance is field convertible between Natural Gas (NG) and Propane (LP). To convert from one gas to another consult your Authorized dealer/distributor.

29.1B

4.6 OPTIONAL REMOTE INSTALLATION (NOT SUPPLIED)

- A. Place the remote receiver to the front right corner of the fireplace floor.
- B. Disconnect the wires connected to ON/OFF switch.
- C. Connect those wires to the remote receiver.
- D. Cover the remote receiver with the log provided.

(Please refer to the remote kit leaflet for installation instructions.)

6.0 OPERATION

If the fireplace is equipped with decorative glass doors, they must be fully opened when operating this gas log set. Keep burner and control compartment clean.

6.1 OPERATING AND LIGHTING INSTRUCTIONS

! WARNING

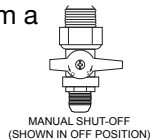
IF YOU DO NOT FOLLOW THESE INSTRUCTIONS EXACTLY, A FIRE OR EXPLOSION MAY RESULT CAUSING PROPERTY DAMAGE, PERSONAL INJURY OR LOSS OF LIFE.

FOR YOUR SAFETY READ BEFORE LIGHTING:

- Do not turn on if children or other at risk individuals are near the appliance.
- Before operating smell all around the appliance area for gas and next to the floor because some gas is heavier than air and will settle on the floor.
- Use only your hand to turn the gas control knob. Never use tools. If the knob will not turn by hand, do not try to repair it. Call a qualified service technician. Force or attempted repair may result in a fire or explosion.
- Do not use this appliance if any part has been under water. Immediately call a qualified service technician to inspect the appliance and replace any part of the control system and any gas control which has been underwater.

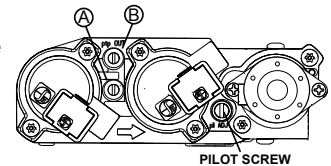
WHAT TO DO IF YOU SMELL GAS:

- Turn off all gas to the appliance.
- Open windows.
- Do not try to light any appliance.
- Do not touch any electric switch; do not use any phone in your building.
- Immediately call your gas supplier from a neighbour's phone. Follow the gas supplier's instructions.
- If you cannot reach your gas supplier, call the fire department.



LIGHTING INSTRUCTIONS:

- Stop! Read the above safety information on this label.
- Open the glass door if equipped.
- Remove the batteries.
- This appliance is equipped with an ignition device which automatically lights the pilot. Do not try to light the pilot by hand.
- Turn manual shutoff valve clockwise to off. Located behind the appliance.
- Wait five (5) minutes to clear out any gas. If you smell gas including near the floor, **STOP!** Follow "B" in the above safety information on this label. If you don't smell gas go to the next step.
- Turn manual shutoff valve counter-clockwise to on.
- Replace the batteries.
- Turn switch on and listen for ignition sound.



TO TURN OFF GAS:

- Remove the batteries.
- Turn manual shutoff valve clockwise to off. Do not force.

47.20

7.0 ADJUSTMENTS

7.1 PILOT BURNER ADJUSTMENT

Adjust the pilot screw to provide properly sized flame. Turn in a clockwise direction to reduce the gas flow.

Check Pressure Readings:

Inlet pressure can be checked by turning screw (A) counter-clockwise 2 or 3 turns and then placing pressure gauge tubing over the test point. Gauge should read as described on the chart below. Check pressure with main burner operating on "HI".

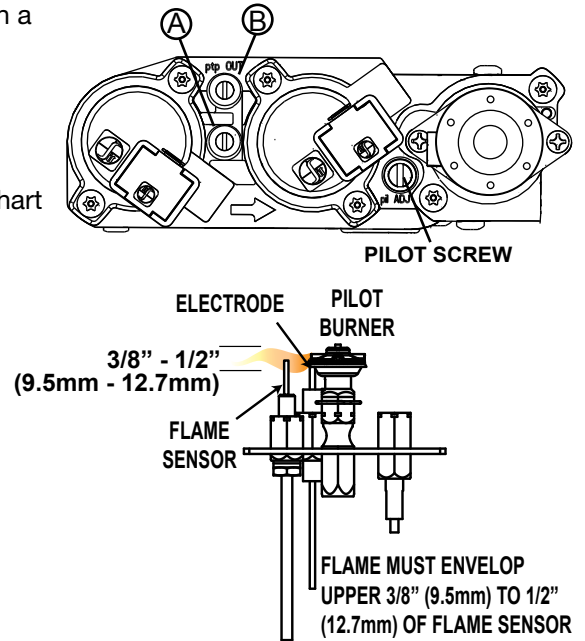
Outlet pressure can be checked the same as above using screw (B). Gauge should read as described on the chart below. Check pressure with main burner operating on "HI".

AFTER TAKING PRESSURE READINGS, BE SURE TO TURN SCREWS CLOCKWISE FIRMLY TO RESEAL. DO NOT OVERTORQUE.

Leak test with a soap and water solution.

Prior to pilot adjustment, ensure that the pilot assembly has not been painted. If overspray or painting of the pilot assembly has occurred remove the paint from the pilot assembly, or replace. Fine emery cloth or a synthetic scrub pad (such as Scotch-Brite™) can be used to remove the paint from the pilot hood, electrode and flame sensor.

*Maximum inlet pressure not to exceed 13".

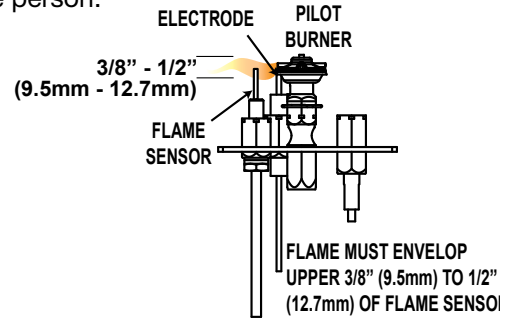


Pressure	Natural Gas (inches)	Natural Gas (millibars)	Propane (inches)	Propane (millibars)
Inlet	7" * (MIN. 4.5")	17.4mb (MIN. 11.2mb)	13" (MIN. 11")	32.4mb (MIN. 27.4mb)
Outlet	3.5"	8.7mb	10"	24.9mb

39.1E

7.2 FLAME CHARACTERISTICS

It is important to periodically perform a visual check of the pilot and burner flames. Compare them to the illustration provided. If any flames appear abnormal, call a service person.



54.1B

NOTE: FLAME WILL VARY DEPENDING ON THE POSITION OF THE LOGS AND THE GRATE.

8.0 MAINTENANCE

! WARNING

TURN OFF THE GAS AND ELECTRICAL POWER BEFORE SERVICING THE APPLIANCE.

APPLIANCE MAY BE HOT, DO NOT SERVICE UNTIL APPLIANCE HAS COOLED.

DO NOT USE ABRASIVE CLEANERS.

DO NOT PAINT THE PILOT ASSEMBLY.

CAUTION: Label all wires prior to disconnection when servicing controls. Wiring errors can cause improper and dangerous operation. Verify proper operation after servicing. This appliance and its venting system should be inspected before use and at least annually by a qualified service person. The appliance area must be kept clear and free of combustible materials, gasoline or other flammable vapours and liquids. The flow of combustion and ventilation air must not be obstructed.

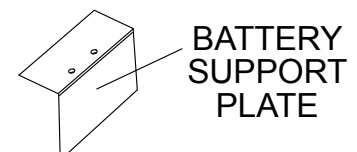
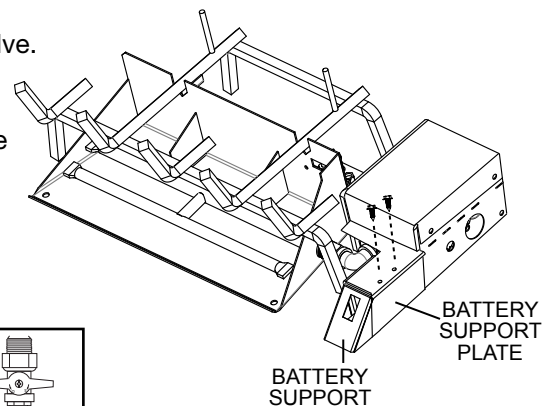
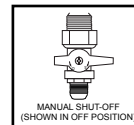
1. In order to properly clean the burner and pilot assembly, remove the logs, rocks and/or glass to expose both assemblies.
2. Keep the control compartment, media, burner, air shutter opening and the area surrounding the appliance clean by vacuuming or brushing, at least once a year.
3. Check to see that all burner ports are burning. Clean out any of the ports which may not be burning or are not burning properly.
4. Check to see that the pilot flame is large enough to engulf the flame sensor and/or thermocouple / thermopile as well as reaches the burner.
5. Replace the cleaned logs, rocks or glass. Failure to properly position the media may cause carboning which can be distributed in the surrounding living area.
6. Check to see that the main burner ignites completely on all openings when turned on. A 5 to 10 second total light-up period is satisfactory. If ignition takes longer, consult your local authorized dealer / distributor.
7. Visually inspect the appliance for carbon build up. Using a small whisk or brush, brush off the carbon and vacuum up or sweep into garbage.
8. Check to see that the appliance is venting correctly. Ensure chimney system is safe and unobstructed.

40.19A

8.1 BATTERY REPLACEMENT

- A. Prior to replacing the battery, turn off the gas manual shut-off valve.
- B. Remove the 4 screws from the battery support plate, as shown.
- C. Remove the battery case from the battery support and remove the 4 (1.5 V) 'AA' size batteries from the battery case and replace them with the new set of 4 (1.5 V) 'AA' size batteries.
- E. Place the battery case back into the battery support.
- F. Ensure when installing the battery case that the heat insulation remains secured to the case.
- G. Re-install the battery support plate and secure it using the 2 screws, as shown.
- H. Turn the gas shut-off valve back to the on position.

WARNING: Turn the manual shut-off valve to the OFF position when changing the battery, as shown above.



9.0 REPLACEMENTS

EN

WARNING

FAILURE TO POSITION THE PARTS IN ACCORDANCE WITH THIS MANUAL OR FAILURE TO USE ONLY PARTS SPECIFICALLY APPROVED WITH THIS APPLIANCE MAY RESULT IN PROPERTY DAMAGE OR PERSONAL INJURY.

Contact your dealer for questions concerning prices and policies on replacement parts. Normally, all parts can be ordered through your Authorized dealer / distributor.

FOR WARRANTY REPLACEMENT PARTS, A PHOTOCOPY OF THE ORIGINAL INVOICE WILL BE REQUIRED TO HONOUR THE CLAIM.

When ordering replacement parts always give the following information:

- Model & Serial Number of appliance
- Installation date of appliance
- Part number
- Description of part
- Finish

PARTS, PART NUMBERS AND AVAILABILITY ARE SUBJECT TO CHANGE WITHOUT NOTICE.

PARTS IDENTIFIED AS STOCKED WILL BE DELIVERED WITHIN 2 TO 5 BUSINESS DAYS FOR MOST DELIVERY DESTINATIONS.

PARTS NOT IDENTIFIED AS STOCKED WILL BE DELIVERED WITHIN A 2 TO 4 WEEK PERIOD, FOR MOST CASES.

PARTS IDENTIFIED AS 'SO' ARE SPECIAL ORDER AND CAN TAKE UP TO 90 DAYS FOR DELIVERY.

41.1C

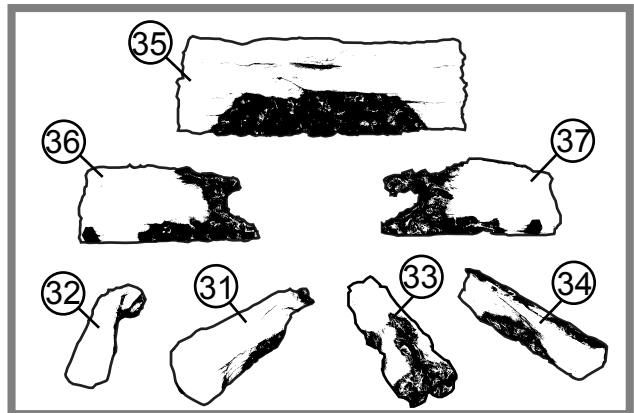
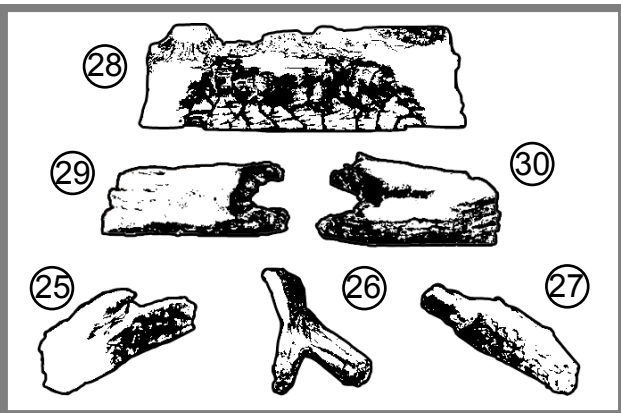
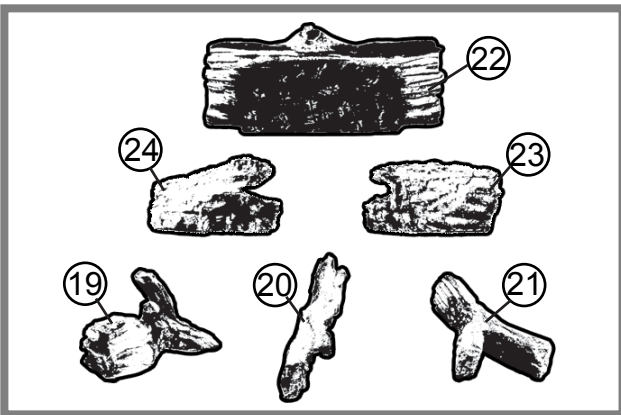
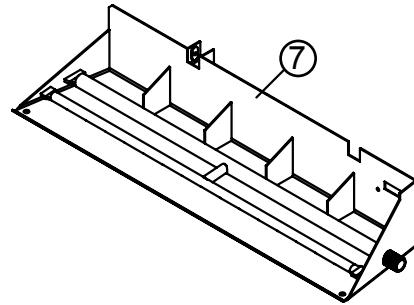
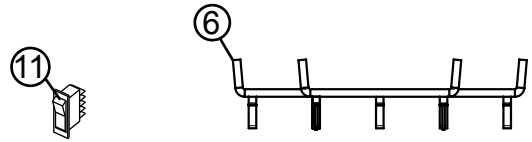
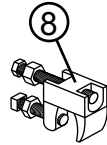
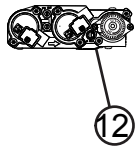
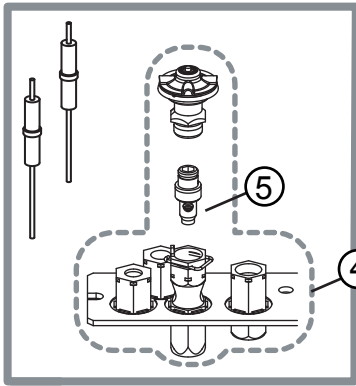
COMPONENTS

REF NO.	PART NO.	DESCRIPTION
1	GL-681	LOG SET GL22
2	GL-682	LOG SET, GL28
3	GL-683	LOG SET GL32
4	W010-2808	PILOT ASSEMBLY (LP 2-WAY)
5	W010-2763	PILOT ASSEMBLY (NG 2-WAY)
6	W010-2832	GRATE ASSEMBLY (GL32)
7	W010-3101	BURNER PAN ASSEMBLY (GL22)
7	W010-3102	BURNER PAN ASSEMBLY (GL28)
7	W010-3103	BURNER PAN ASSEMBLY (GL32)
8	W010-2851	DAMPER STOP ASSEMBLY (GL22/28/32)
9*	W190-0072	CONTROL, IPI IGNITION BOARD
10*	W445-0038	CONNECTOR 3/8 TUBE TO 3/8 PIPE
11	W660-0009	ON/OFF SWITCH
12*	W725-0066	SIT VALVE 880 LP FIXED REG (LDH45)
13*	W750-0175	10" (254mm) WIRE WITH 1/4" (6.4mm) FLAGS (2) (EP36)
14*	W750-0214	WIRE, 19" (304.8mm) GROUND
15*	W750-0269	WIRE HARNESS, WHVF29
16*	W175-0227	CONNECTOR, FLEX (3/8" ST.ST.) / (9.5mm ST.ST.)
17*	W255-0038	FITTING, ORIFICE 1/2" - 3/8" FP-MP / 12.7mm - 9.5mm FP-MP, GL28P/GL32P
17*	W255-0042	FITTING, ORIFICE 1/2" - 3/8" FP-MP / 12.7mm - 9.5mm FP-MP, GL22N
17*	W255-0041	FITTING, ORIFICE 1/2" - 3/8" FP-MP / 12.7mm - 9.5mm FP-MP, GL28N
17*	W255-0040	FITTING, ORIFICE 1/2" - 3/8" FP-MP / 12.7mm - 9.5mm FP-MP, GL32N
17*	W255-0036	FITTING, ORIFICE 1/2" - 3/8" FP-MP / 12.7mm - 9.5mm FP-MP, GL22P
18*	W725-0065	VALVE, NG FIXED REG (LHD45)

19	W135-0507	LOG, TOP LEFT (GL22)
20	W135-0508	LOG, TOP CENTER (GL22)
21	W135-0509	LOG, TOP RIGHT (GL22)
22	W135-0510	LOG, REAR (GL22)
23	W135-0511	LOG, FRONT RIGHT (GL22)
24	W135-0512	LOG, FRONT LEFT (GL22)
25	W135-0513	LOG, TOP LEFT (GL28)
26	W135-0514	LOG, TOP CENTER (GL28)
27	W135-0515	LOG, TOP RIGHT (GL28)
28	W135-0516	LOG, REAR (GL28)
29	W135-0517	LOG, FRONT RIGHT (GL28)
30	W135-0518	LOG, FRONT LEFT (GL28)
31	W135-0519	LOG, TOP LEFT (GL32)
32	W135-0520	CENTER #1 (GL32)
33	W135-0521	CENTER #2 (GL32)
34	W135-0522	LOG, TOP RIGHT (GL32)
35	W135-0523	REAR #1 (GL32)
36	W135-0525	LOG, FRONT RIGHT (GL32)
37	W135-0526	LOG, FRONT LEFT (GL32)
38*	W020-0718	SAND (GL22)
39*	W020-0721	SAND (GL28)
40*	W020-0715	SAND (GL32)

ACCESSORIES

REF NO.	GAS LOGS	DESCRIPTION
41*	GD-660	REMOTE WALL SWITCH W/20' WIRE
42*	F45	ON/OFF REMOTE



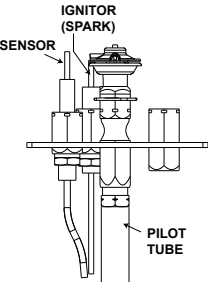
! WARNING

TURN OFF THE GAS AND ELECTRICAL POWER BEFORE SERVICING THE APPLIANCE.

APPLIANCE MAY BE HOT, DO NOT SERVICE UNTIL APPLIANCE HAS COOLED.

DO NOT USE ABRASIVE CLEANERS.

DO NOT PAINT THE PILOT ASSEMBLY.

SYMPTOM	PROBLEM	TEST SOLUTION
Pilot will not light.	Battery.	- Check batteries.
<p>Makes noise with no spark at pilot burner.</p> 	Wiring.	- Verify the wire for the sensor and the wire for the ignitor are connected to the correct terminals (not reversed) on the module. NOTE: Sensor has 3/16" connection and ignitor has 1/8" connection.
	Loose connection.	- Verify no loose connections, electrical shorts in the wiring or ground out to any metal object.
	Module.	- Turn the ON/OFF switch to the "OFF" position. Remove the igniter wire from the module. Place the ON/OFF switch to the "ON" position. Hold a grounded wire about 3/16" away from the ignitor (spark) terminal on the module. If no spark the ignitor terminal module must be replaced. If there is a spark the ignitor terminal is fine.
	Electrode.	- Inspect pilot assembly for a shorted wire or cracked insulator around the electrode.
	Igniter Spark gap is incorrect.	- Spark gap of the ignitor to the pilot should be 1/8".
	A shorted or loose Connection.	- Remove and reinstall the wiring harness that plugs into the module. Remove and verify continuity of each wire in wiring harness.
	Improper switch wiring.	- Troubleshoot the system with the simplest ON/OFF switch.
	Module is not grounded.	- Verify the valve and pilot assemblies are properly grounded to the metal chassis of the appliance or log set.
Pilot sparks but will not light.	Gas supply.	- Verify that the incoming gas line ball valve is "Open". Verify that the inlet pressure reading is within acceptable limits, inlet pressures must not exceed 14" W.C.
	Out of propane gas.	- Fill the tank.
Carbon is being deposited on glass, logs, rocks, media or combustion chamber surfaces.	Air shutter is blocked.	- Ensure air shutter opening is free of lint or other obstructions.
	Flame is impinging on the glass, logs, rocks, media or combustion chamber.	- Check that the glass, logs, rocks or media are correctly positioned and remove them from direct flame. - Open air shutter to increase the primary air. - Check the input rate: check the manifold pressure and orifice size as specified by the rating plate values.
Continues to spark and pilot lights, but main burner will not light.	Short or loose connection in sensor rod.	- Verify all connections. Verify the connections from the pilot assembly are tight; also verify these connections are not grounding out to any metal.
	Poor flame rectification or contaminated sensor rod.	- Verify the flame is engulfing the sensor rod. This will increase the flame rectification. Verify correct pilot orifice is installed and inlet gas specifications to manual. (Remember, the flame carries the rectification current, not the gas. If the flame lifts from pilot hood, the circuit is broken. A wrong orifice or too high of an inlet pressure can cause the pilot flame to lift.) The sensor rod may need cleaning.
	Poor grounding between pilot assembly and gas valve.	- Verify that the wire harness is firmly connected to module Verify that the ceramic insulator around the sensor rod is not cracked, damaged, or loose. Verify the connection from the sensor rod to the sensor wire.
	Damaged pilot or sensor rod.	- Clean sensor rod with an emery cloth to remove any contamination that may have accumulated on the sensor rod. Verify continuity with multimeter with ohms set at the lowest range. Check for shorted wire or cracked insulator.
	Pilot has been painted	- Using a piece of sandpaper or emery cloth remove the paint from the pilot hood, ignitor and flame sensor.
Pilot lights Stops sparking / pilot remains lit but burner will not turn on.	Wiring / Connection.	- Inspect all wires, ensure good tight connections. Verify that all wiring is installed exactly as specified.
	Wiring harness.	- Inspect the wiring harness, and verify the harness is tightly connected to the module. Verify that all wires are connected in the right order. See "WIRING DIAGRAM" section.
	Pilot has been painted	- Using a piece of sandpaper or emery cloth remove the paint from the pilot hood, ignitor and flame sensor.
Exhaust fumes smelled in room, headaches.	Appliance is spilling.	- Check for chimney blockage - Check that chimney is installed to building code. - Room is in negative pressure; increase fresh air supply - Check damper positioning

11.0 WARRANTY

NAPOLEON products are manufactured under the strict Standard of the world recognized ISO 9001 : 2008 Quality Assurance Certificate.

NAPOLEON products are designed with superior components and materials assembled by trained craftsmen who take great pride in their work. Once assembled the complete log set is thoroughly inspected by a qualified technician before packaging to ensure that you, the customer, receive the quality product that you expect from NAPOLEON.

NAPOLEON GAS LOG SET LIFETIME LIMITED WARRANTY

The Phazer™ logs in your new Napoleon gas log set are warranted against defects for as long as you own the appliance.

Electrical (110V) components and wearable parts are covered and Napoleon will provide replacement parts free of charge during the first year of the limited warranty. This covers: blowers, gas valves, thermal switch, switches, wiring, remote controls, ignitor, gasketing, and pilot assembly.*

* Construction of models vary. Warranty applies only to components included with your specific appliance.

CONDITIONS AND LIMITATIONS

NAPOLEON warrants its products against manufacturing defects to the original purchaser only. Registering your warranty is not necessary. Simply provide your proof of purchase along with the model and serial number to make a warranty claim. NAPOLEON reserves the right to have its representative inspect any product or part thereof prior to honouring any warranty claim. Provided that the purchase was made through an authorized NAPOLEON dealer your appliance is subject to the following conditions and limitations:

Warranty coverage begins on the date of original installation.

This factory warranty is non-transferable and may not be extended whatsoever by any of our representatives.

Installation must be done in accordance with the installation instructions included with the product and all local and national building and fire codes. This limited warranty does not cover damages caused by misuse, lack of maintenance, accident, alterations, abuse or neglect and parts installed from other manufacturers will nullify this warranty.

This limited warranty further does not cover any scratches, dents, corrosion or discoloring caused by excessive heat, abrasive and chemical cleaners nor chipping on porcelain enamel parts, mechanical breakage of PHAZER™ logs and embers.

In the first year only, this warranty extends to the repair or replacement of warranted parts which are defective in material or workmanship provided that the product has been operated in accordance with the operation instructions and under normal conditions.

After the first year, with respect to this President's Lifetime Limited Warranty, NAPOLEON may, at its discretion, fully discharge all obligations with respect to this warranty by refunding to the original warranted purchaser the wholesale price of any warranted but defective part(s).

NAPOLEON will not be responsible for installation, labour or any other expenses related to the reinstallation of a warranted part and such expenses are not covered by this warranty.

Notwithstanding any provisions contained in the President's Lifetime Limited Warranty, NAPOLEON'S responsibility under this warranty is defined as above and it shall not in any event extend to any incidental, consequential or indirect damages.

This warranty defines the obligations and liability of NAPOLEON with respect to the NAPOLEON gas logs and any other warranties expressed or implied with respect to this product, its components or accessories are excluded.

NAPOLEON neither assumes, nor authorizes any third party to assume, on its behalf, any other liabilities with respect to the sale of this product.

Any damages to the burner or logs or other components due to water, weather damage, long periods of dampness, condensation, damaging chemicals or cleaners will not be the responsibility of NAPOLEON.

All parts replaced under the President's Limited Lifetime Warranty Policy are subject to a single claim.

During the first 10 years NAPOLEON will replace or repair the defective parts covered by the lifetime warranty at our discretion free of charge. From 10 years to life, NAPOLEON will provide replacement parts at 50% of the current retail price.

All parts replaced under the warranty will be covered for a period of 90 days from the date of their installation.

The manufacturer may require that defective parts or products be returned or that digital pictures be provided to support the claim. Returned products are to be shipped prepaid to the manufacturer for investigation. If a product is found to be defective, the manufacturer will repair or replace such defect.

Before shipping your appliance or defective components, your dealer must obtain an authorization number. Any merchandise shipped without authorization will be refused and returned to sender.

Shipping costs are not covered under this warranty.

Additional service fees may apply if you are seeking warranty service from a dealer.

Labour travel, diagnostic tests, shipping and other related charges are not covered by this warranty.

ALL SPECIFICATIONS AND DESIGNS ARE SUBJECT TO CHANGE WITHOUT PRIOR NOTICE DUE TO ON-GOING PRODUCT IMPROVEMENTS.
NAPOLEON® IS A REGISTERED TRADEMARK OF WOLF STEEL LTD.

2.7C

Other Napoleon Products



Fireplace Inserts • Charcoal Grills • Gas Fireplaces • Waterfalls • Wood Stoves
Heating & Cooling • Electric Fireplaces • Outdoor Fireplaces • Gas Grills



24 Napoleon Road, Barrie, Ontario, Canada L4M 0G8
214 Bayview Drive, Barrie, Ontario, Canada L4N 4Y8
103 Miller Drive, Crittenden, Kentucky, USA 41030
7200 Trans Canada Highway, Montreal, Quebec, Canada H4T 1A3

Fireplaces / Heating & Cooling call: 705-721-1212 • Grills call: 705-726-4278
napoleonproducts.com

INSTALLATEUR : LAISSEZ CE MANUEL AVEC L'APPAREIL.
PROPRIÉTAIRE : CONSERVEZ CE MANUEL POUR CONSULTATION ULTÉRIEURE.
NE LAISSEZ PAS LES ENFANTS OU AUTRES INDIVIDUS À RISQUE SEULS À PROXIMITÉ DE L'APPAREIL.



INSTRUCTIONS D'INSTALLATION ET D'OPÉRATION

HOMOLOGUÉS SELON LES NORMES ANSI Z21.60 / CSA 2.26 POUR LES APPAREILS DÉCORATIFS AU GAZ, POUR INSTALLATION DANS DES APPAREILS À COMBUSTIBLE SOLIDE.

GL22N, GL28N, GL32N
GAZ NATUREL

GL22P, GL28P, GL32P
PROPANE

CERTIFIÉ POUR LE CANADA ET LES ÉTATS-UNIS SELON LES MÉTHODES ANSI/CSA.

CONSIGNES DE SÉCURITÉ

AVERTISSEMENT

Si ces instructions ne sont pas suivies à la lettre, un incendie ou une explosion pourraient s'ensuivre, causant des dommages matériels, des blessures corporelles ou des pertes de vie.

- N'entreposez pas et n'utilisez pas d'essence ou autres liquides et vapeurs inflammables à proximité de cet appareil ou tout autre appareil.
- QUE FAIRE SI VOUS DÉTECTEZ UNE ODEUR DE GAZ :
 - N'allumez aucun appareil.
 - Ne touchez à aucun interrupteur électrique; n'utilisez aucun téléphone dans votre immeuble.
 - Appelez immédiatement votre fournisseur de gaz d'un téléphone voisin. Suivez ses instructions.
 - Si vous ne pouvez pas rejoindre votre fournisseur de gaz, appelez le service des incendies.
- L'installation et l'entretien doivent être faits par un installateur qualifié, une agence d'entretien ou le fournisseur.

Cet appareil peut être installé dans une maison préfabriquée (mobile) déjà installée à demeure si les règlements locaux le permettent.

Cet appareil doit être utilisé uniquement avec le type de gaz indiqué sur la plaque signalétique. Cet appareil ne peut être converti à d'autres gaz, sauf si une trousse de conversion est utilisée.



GL22



GL28



GL32



Wolf Steel Ltd., 24 Napoleon Rd., Barrie, ON, L4M 0G8 Canada /
103 Miller Drive, Crittenden, Kentucky, USA, 41030

Téléphone 705-721-1212 • Télécopieur 705-722-6031 • www.napoleonfoyers.com • hearth@napoleonproducts.com

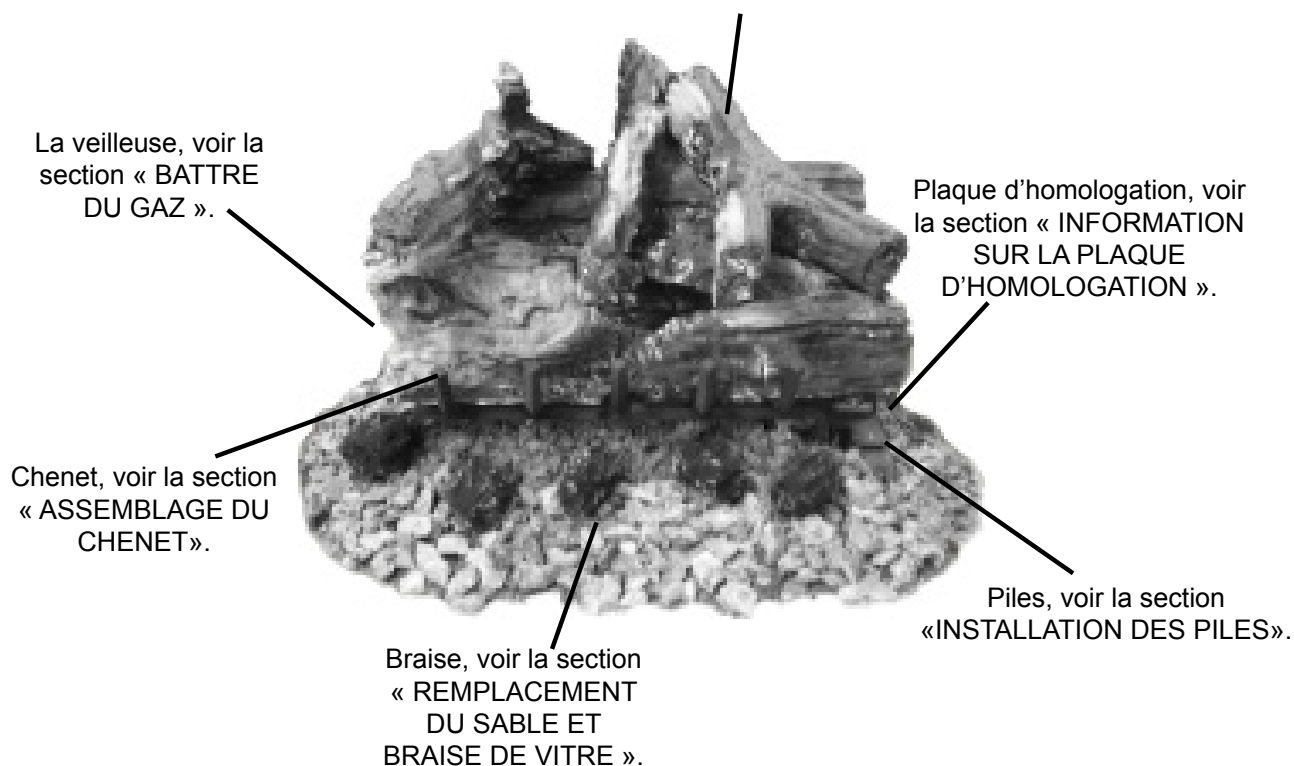
TABLE DES MATIÈRES

VUE D'ENSEMBLE DE L'INSTALLATION	28
INTRODUCTION	29
DIMENSIONS	30
INSTRUCTIONS GÉNÉRALES	31
INFORMATION GÉNÉRALE	32
DIMENSIONS MINIMALES DE L'APPAREIL	32
PLAQUE D'HOMOLOGATION	33
INSTALLATION	33
INSTALLATION DES PILES	33
CONDUITE DE GAZ	34
INSTALLATION DE LA BUTÉE DE REGISTRE	35
FINITIONS	36
REPLACEMENT DU SABLE ET BRAISE DE VITRE	36
ASSEMBLAGE DU CHENET	36
TAS/BRAISES DE CHARBON	36
DISPOSITION DES BÛCHES	37
GL22	37
GL28	38
GL32	38
INSTALLATION AUX MAISON MOBILE	39
INSTALLATION DU SYSTÈME DE COMMANDE À DISTANCE	39
SCHÉMA DE CÂBLAGE	40
OPÉRATION	41
INSTRUCTIONS	41
RÉGLAGES	42
RÉGLAGE DE LA VEILLEUSE	42
CARACTÉRISTIQUES DES FLAMMES	42
MAINTENANCE	43
REPLACEMENT DES PILES	43
RECHANGES	44
GUIDE DE DÉPANNAGE	47
GARANTIE	49
HISTORIQUE D'ENTRETIEN	50
NOTES	51

NOTE : Les modifications, autres qu'éditoriales, sont indiquées par une ligne verticale dans la marge.

1.0 VUE D'ENSEMBLE DE L'INSTALLATION

Bûches, voir la section
« DISPOSITION DES BÛCHES ».



! AVERTISSEMENT

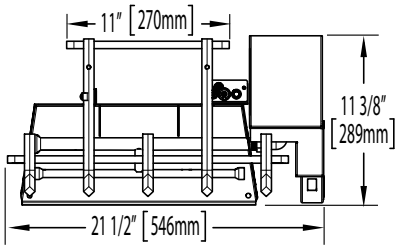
- **CET APPAREIL EST CHAUD LORSQU'IL FONCTIONNE ET PEUT CAUSER DE GRAVES BRÛLURES EN CAS DE CONTACT.**
- **TOUTE MODIFICATION APPORTÉE À CET APPAREIL OU AUX CONTRÔLES PEUT ÊTRE DANGEREUX ET EST INTERDIT.**
- Ne faites pas fonctionner l'appareil avant d'avoir lu et compris les instructions d'opération. Omettre d'utiliser l'appareil selon les instructions d'opération pourrait causer un incendie ou des blessures.
- Risque d'incendie ou d'asphyxie. Ne faites pas fonctionner l'appareil avec la vitre retirée.
- Ne branchez pas la soupape à du courant 110 volts.
- Risque de brûlures. L'appareil doit être éteint et refroidi avant d'effectuer un entretien.
- N'installez pas de composants endommagés ou incomplets ni des composants substitués.
- Risque de coupures et d'éraflures. Portez des gants protecteurs et des lunettes de sécurité lors de l'installation. Les bordures des pièces de métal peuvent être coupantes.
- Ne brûlez pas de bois ou autres matériaux dans cet appareil.
- Les enfants et les adultes devraient être informés des dangers que posent les températures de surface élevées et se tenir à distance afin d'éviter des brûlures ou que leurs vêtements ne s'enflamment.
- Les jeunes enfants doivent être surveillés attentivement lorsqu'ils sont dans la même pièce que l'appareil. Les jeunes enfants et autres personnes à risque sont sujets aux brûlures accidentelles. Une barrière de protection est recommandée si des individus à risque se trouvent dans la maison. Afin de restreindre l'accès à l'appareil, installez une barrière de protection ajustable pour garder les jeunes enfants ou autres personnes à risque hors de la pièce et loin des surfaces chaudes.
- Les vêtements et autres matériaux combustibles ne doivent pas être posés sur l'appareil ou à proximité.
- En raison des températures élevées, l'appareil devrait être placé loin des endroits passants et loin des meubles et des rideaux.
- Assurez-vous de disposer de mesures de sécurité adéquates pour empêcher les jeunes enfants de toucher aux surfaces chaudes.
- Même une fois que l'appareil est éteint, la vitre et/ou le pare-étincelles demeureront chauds pendant un temps prolongé.
- Consultez votre détaillant local de foyer pour connaître les grillages de sécurité et les écrans offerts pour protéger les enfants des surfaces chaudes. Ces grillages de sécurité et ces écrans doivent être fixés au plancher.
- Les grillages de sécurité ou écrans enlevés pour faire l'entretien devront être remis en place avant d'utiliser l'appareil.
- Cet appareil est un appareil à gaz ventilés. Ne brûlez pas de bois ou autres matériaux dans cet appareil.
- Il est primordial de garder propres les compartiments de contrôle, les brûleurs, la soufflerie, les bouches d'air de l'appareil ainsi que le système d'évacuation. L'appareil et son système d'évacuation doivent être inspectés avant la première utilisation et au moins une fois l'an par un spécialiste en entretien. Un entretien plus fréquent pourrait être nécessaire en raison des peluches provenant des tapis, literie, etc. L'emplacement de l'appareil doit être gardé libre de tous matériaux combustibles, essence ou autres liquides et vapeurs inflammables.
- Cet appareil ne devra être modifié en aucun cas.
- Cet appareil ne doit pas être raccordé au conduit d'une cheminée desservant un autre appareil de chauffage à combustible solide.
- N'utilisez pas cet appareil si une partie quelconque a été submergée. Contactez immédiatement un technicien de service qualifié pour inspecter l'appareil et pour remplacer toute pièce du système de contrôle et du contrôle du gaz qui aurait été submergée.
- Ne pas opérer l'appareil lorsque la porte vitrée est enlevée, fissurée ou brisée. Le remplacement de la vitre devra être effectué par un technicien de service certifié ou qualifié.
- Ne frappez pas et ne claquez pas la porte vitrée de l'appareil.
- Seules les portes/façades certifiées pour cet appareil peuvent être utilisées avec cet appareil.
- Gardez les matériaux d'emballage hors de la portée des enfants et mettez ces matériaux au rebut de façon sécuritaire. Comme tous les emballages de plastique, ces matériaux ne sont pas des jouets et doivent demeurer hors de la portée des enfants et des bébés.
- Comme dans le cas de tout appareil à combustion, il est recommandé de faire inspecter et entretenir votre appareil régulièrement. De même, installez un détecteur de monoxyde de carbone dans la pièce pour vous protéger, ainsi que votre famille, contre les intoxications.
- Assurez-vous que les distances requises pour les dégagements aux matériaux combustibles sont respectées lorsque vous installez une tablette décorative ou des tablettes au-dessus de l'appareil. En raison des températures élevées, un téléviseur ou d'autres composants électroniques pourraient être endommagés prématurément ou ils pourraient fondre, se déformer ou se décolorer.

! AVERTISSEMENT: Ce produit peut vous exposer à des substances chimiques incluant le plomb et les composés de plomb qui, selon l'État de Californie, causeraient le cancer, et des substances chimiques incluant le monoxyde de carbone qui, selon l'État de Californie, causeraient des malformations congénitales ou autres dangers pour la reproduction. Pour de plus amples renseignements, visitez le www.P65Warnings.ca.gov.

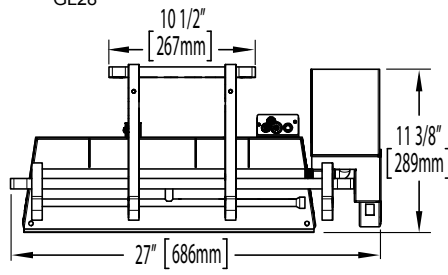
2.1 DIMENSIONS

FR

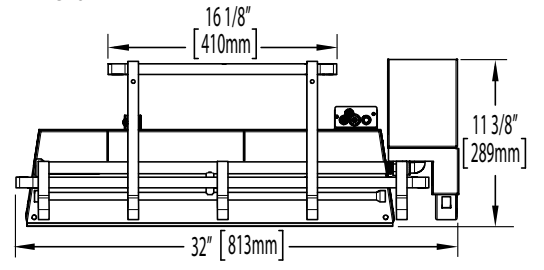
GL22



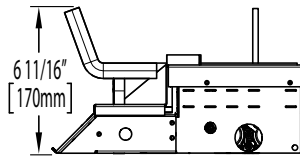
GL28



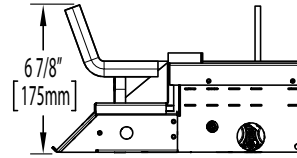
GL32



GL22



GL28 / GL32



2.2 INSTRUCTIONS GÉNÉRALES

! AVERTISSEMENT
ALLUMEZ TOUJOURS LA VEILLEUSE, QUE CE SOIT POUR LA PREMIÈRE FOIS OU LORSQUE L'APPROVISIONNEMENT EN GAZ EST ÉPUISÉ, AVEC LA PORTE VITRÉE OUVERTE OU RETIRÉE.
PRÉVOYEZ UN ACCÈS SUFFISANT POUR ENTRETENIR ET OPÉRER L'APPAREIL. ASSUREZ-VOUS D'UNE QUANTITÉ SUFFISANTE D'AIR DE VENTILATION.
N'OBSTRUEZ JAMAIS L'OUVERTURE DE L'APPAREIL.
LES OBJETS PLACÉS DEVANT L'APPAREIL DOIVENT ÊTRE GARDÉS À UNE DISTANCE D'AU MOINS 48" (1219.2mm) DE LA FACE VITRÉE DE L'APPAREIL.
LES SURFACES AUTOUR ET SURTOUT AU-DESSUS DE L'APPAREIL PEUVENT DEVENIR CHAUDES. NE TOUCHEZ PAS L'APPAREIL QUAND IL FONCTIONNE.
RISQUE D'INCENDIE OU D'EXPLOSION.
LES PRESSIONS ÉLEVÉES ENDOMMAGERONT LA SOUPE. L'ALIMENTATION EN GAZ DOIT ÊTRE DÉBRANCHÉE PENDANT LES ESSAIS DE PRESSION DE CE SYSTÈME LORSQUE LES PRESSIONS D'ESSAI EXCÈDENT ½ LB/PO² (3,5 KPA). FERMEZ LA SOUPE D'ARRÊT MANUELLE PENDANT TOUT ESSAI DE PRESSION DU SYSTÈME D'ALIMENTATION EN GAZ LORSQUE LA PRESSION EST DE ½ LB/PO² (3,5 mb) OU MOINS.
N'UTILISEZ QUE LES ACCESSOIRES OPTIONNELS ET LES PIÈCES DE RECHANGE APPROUVÉS PAR WOLF STEEL POUR CET APPAREIL. L'UTILISATION D'ACCESSOIRES NON LISTÉS (SOUFFLERIE, PORTES, PERSIENNES, MOULURES, COMPOSANTS DE GAZ, COMPOSANTS D'ÉVACUATION, ETC.) POURRAIT ÊTRE NON SÉCURITAIRE ET ANNULERA LA GARANTIE ET LA CERTIFICATION.

Nettoyez soigneusement la cheminée, le conduit et l'appareil avant d'installer le nouvel appareil. Ne brûlez pas de combustibles solides dans un appareil équipé de cet ensemble de bûches à gaz.

L'installation de cet appareil doit être conforme aux codes locaux. En l'absence de codes locaux, elle doit se conformer aux normes ANSI Z.223.1/NFPA 54 ou CAN/CGA B149. L'installation et provisions pour combustion et évacuation d'air doit être conforme aux National Fuel Gas Code, ANSI Z223.1/NFPA 54, ou CSA B149.1, Natural Gas and Propane Installation Code. L'installation des appareils pour les maisons fabriquées (seulement U.S.) ou installation d'une maison mobile doit être conforme aux normes CAN/CSA Z240 MH, MAISON MOBILE, aux Canada, ou aux Manufactured Home Construction and Safety Standard, Titre 24 CFR, Partie 3280, aux États-Unis, ou si ce normes n'est pas applicable, ANSI/NCSCBS A225.1/NFPA 501A, Manufactured Home Installations Standard.

Ne faites pas fonctionner l'appareil à proximité d'essence ou autres liquides et vapeurs inflammables. Gardez l'emplacement libre de tout autre matériau combustible. La soupape de l'appareil doit être débranchée de la ligne d'alimentation en gaz pendant tout essai de pression de ce système.

Les pratiques d'installation peuvent varier d'une région à l'autre. Il est donc important de connaître les normes spécifiques qui s'appliquent à votre région. Par exemple dans l'État du Massachusetts :

- Ce produit doit être installé par un plombier certifié ou un installateur pour le gaz lorsque installé dans le Commonwealth du Massachusetts.
- Le registre de l'appareil doit être enlevé ou bloqué en le soudant en position ouverte avant d'installer un encastré ou un ensemble de bûches à gaz.
- La soupape d'arrêt doit être un robinet à gaz avec une poignée en T.
- Le raccord flexible ne doit pas mesurer plus que 36 pouces.
- L'appareil n'est pas approuvé pour installation dans une chambre à coucher ou une salle de bain à moins d'être un appareil avec une chambre de combustion scellée à évacuation directe.
- Un détecteur de monoxyde de carbone est requis dans toutes les pièces contenant des appareils alimentés au gaz.

Aucune alimentation électrique externe (110 volts ou 24 volts) n'est requise pour le fonctionnement du système.

**NATIONAL
FIREPLACE
INSTITUTE**



CERTIFIED

www.nficertified.org

Nous suggérons que nos appareils au gaz soient installés et que l'entretien soit effectué par des professionnels certifiés par le National Fireplace Institute® (NFI) comme spécialiste du gaz NFI.

2.3 INFORMATION GÉNÉRALE

! AVERTISSEMENT

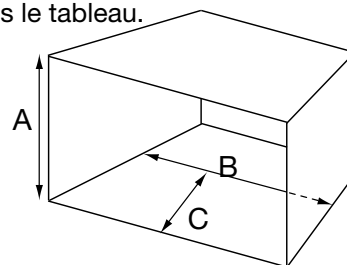
CET APPAREIL NE DOIT PAS ÊTRE INSTALLÉ DANS UNE CHAMBRE À COUCHER OU UNE SALLE DE BAIN.

	GL22		GL28		GL32	
	NG	LP	NG	LP	NG	LP
Altitude (PIEDS)	0-4,500	0-4,500	0-4,500	0-4,500	0-4,500	0-4,500
Données Max (UTA/HR)	70,000	50,000	80,000	65,000	90,000	65,000
Pression de Provision de Gaz Min	4,5" colonne d'eau (11,2mb)	11" colonne d'eau (27,4mb)	4,5" colonne d'eau (11,2mb)	11" colonne d'eau (27,4mb)	4,5" colonne d'eau (11,2mb)	11" colonne d'eau (27,4mb)
Pression de Provision de Gaz Max	7" colonne d'eau (17,4mb)	13" colonne d'eau (32,4mb)	7" colonne d'eau (17,4mb)	13" colonne d'eau (32,4mb)	7" colonne d'eau (17,4mb)	13" colonne d'eau (32,4mb)
La diverse Pression (Sous les Conditions de Flux)	3,5" colonne d'eau (8,7mb)	10" colonne d'eau (25mb)	3,5" colonne d'eau (8,7mb)	10" colonne d'eau (25mb)	3,5" colonne d'eau (8,7mb)	10" colonne d'eau (25mb)

2.4 DIMENSIONS MINIMALES DE L'APPAREIL

SÉRIE DE BÛCHE	HAUTEUR	LARGEUR	PROFONDEUR
	A	B	C
GL22	20" (508mm)	23" (584,2mm)	14" (355,6mm)
GL28	20" (508mm)	29" (736,6mm)	14" (355,6mm)
GL32	22" (558,8mm)	33" (838,2mm)	14" (355,6mm)

N'installez pas l'ensemble de bûches à gaz dans un foyer plus petit que ce qui est indiqué dans le tableau.



2.5 PLAQUE D'HOMOLOGATION

CERTIFIED UNDER / HOMOLOGUE SELON LES NORMES: ANSI Z21.60-2003/CSA 2.26-2003 (R 2009), DECORATIVE APPLIANCE FOR INSTALLATION IN SOLID-FUEL BURNING

WARNING: IMPROPER INSTALLATION, ADJUSTMENT, ALTERATION, SERVICE OR MAINTENANCE CAN CAUSE INJURY OR PROPERTY DAMAGE. REFER TO THE OWNER'S INFORMATION MANUAL PROVIDED WITH THIS APPLIANCE. FOR ASSISTANCE OR ADDITIONAL INFORMATION, CONSULT A QUALIFIED INSTALLER, SERVICE AGENCY OR THE GAS SUPPLIER.

AVERTISSEMENT: UNE INSTALLATION NON CONFORME, DES AJUSTEMENTS, DES ALTERATIONS, UN SERVICE OU UN ENTRETIEN INADEQUATS PEUVENT CAUSER DES DOMMAGES MATERIELS OU DES BLESSURES CORPORELLES. REFEREZ-VOUS AU MANUEL D'INSTRUCTIONS FOURNI AVEC CET APPAREIL. POUR DE L'ASSISTANCE OU POUR PLUS D'INFORMATION, CONSULTEZ UN INSTALLATEUR QUALIFIE, UNE AGENCE D'ENTRETIEN OU LE FOURNISSEUR DE GAZ.

NATURAL GAS MODELS

GL22N GL28N GL32N

70,000BTU/h 80,000BTU/h 90,000BTU/h

0-4500FT (0-1370m)

3.5" WATER COLUMN/D'UNE COLONNE D'EAU
4.5" WATER COLUMN/D'UNE COLONNE D'EAU
7.0" WATER COLUMN/D'UNE COLONNE D'EAU

PROPANE MODELS

GL22P GL28P GL32P

50,000BTU/h 65,000BTU/h 65,000BTU/h

0-4500FT (0-1370m)

10" WATER COLUMN/D'UNE COLONNE D'EAU
11" WATER COLUMN/D'UNE COLONNE D'EAU
13" WATER COLUMN/D'UNE COLONNE D'EAU

INPUT / ALIMENTATION

ALTITUDE / ÉLEVATION

MANIFOLD PRESSURE / PRESSION AU COLLECTEUR

MINIMUM SUPPLY PRESSURE / PRESSION D'ALIMENTATION MINIMALE

MAXIMUM SUPPLY PRESSURE / PRESSION D'ALIMENTATION MAXIMALE

WARNING: DO NOT ADD ANY MATERIAL TO THE APPLIANCE, WHICH WILL COME IN CONTACT WITH THE FLAMES, OTHER THAN THAT SUPPLIED BY THE MANUFACTURER WITH THE APPLIANCE. FOR INSTALLATION IN A SOLID-FUEL BURNING FIREPLACE ONLY. THE FIREPLACE CHIMNEY MUST HAVE A PERMANENT VENT OPENING TO ATMOSPHERE OF NOT LESS THAN 56.6" FOR GL22, 64" FOR GL28, 71.4" FOR GL32, OR AS DETERMINED BY THE MANUFACTURER'S INSTALLATION INSTRUCTIONS.

AVERTISSEMENT: N'AJOUTEZ AUCUN MATÉRIEL À CET APPAREIL QUI ENTRERAIT EN CONTACT AVEC LES FLAMMES AUTRE QUE CELUI QUI EST FOURNI AVEC CET APPAREIL PAR LE FABRICANT. POUR INSTALLATION DANS UN FOYER À COMBUSTIBLE SOLIDE SEULEMENT. LA CHEMINÉE DU FOYER DOIT POSSÉDER UN OUVERTURE D'ÉVACUATION PERMANENTE À L'AIR EXTÉRIEUR DE NON MOINS DE 56.6" POUR LE GL22, DE 64" POUR LE GL28 ET 71.4" POUR LE GL32 OU SELON LES INSTRUCTIONS D'INSTALLATION DU FABRICANT.

FOR YOUR SAFETY: DO NOT STORE OR USE GASOLINE OR OTHER FLAMMABLE VAPOURS AND LIQUIDS IN THE VICINITY OF THIS OR ANY OTHER APPLIANCE.

POUR VOTRE SÉCURITÉ: N'ENTREPOSEZ PAS ET N'UTILISEZ PAS D'ESSENCE OU AUTRES LIQUIDES ET VAPEURS INFLAMMABLES À PROXIMITÉ DE CET OUT TOUT AUTRE APPAREIL.

FOR MINIMUM CHIMNEY FLUE SEE INSTRUCTION MANUAL POUR LES DIMENSIONS MINIMALES DE LA CHEMINÉE, CONSULTEZ LE MANUEL D'INSTRUCTIONS

UNIT / APPAREIL	HEIGHT / HAUTEUR	WIDTH / LARGEUR	DEPTH / PROFONDEUR
GL22	20"	23"	14"
GL28	20"	29"	14"
GL32	22"	33"	14"

MINIMUM FIREPLACE SIZE / DIMENSIONS MINIMALES DU FOYER

(WSL) (NAC)

(NGZ) (WUSA)

WOLF STEEL LTD.
24 NAPOLEON ROAD, BARRIE, ONTARIO L4M 0G8 CANADA

SERIAL NUMBER/NO. DE SERIE: **GSL**

W385-0677 A

FR

LA PLAQUE D'HOMOLOGATION EST ATTACHÉE PAR UNE CHÂÎNE AU SUPPORT DE L'ALLUMEUR PIÉZO ET EST GÉNÉRALEMENT RANGÉE SOUS L'ASSEMBLAGE.

Cette illustration est à titre de référence seulement. Consultez la plaque d'homologation pour obtenir l'information précise.

NOTE: La plaque d'homologation doit rester avec l'appareil à tout instant. Il ne doit pas être enlevé.

3.0 INSTALLATION

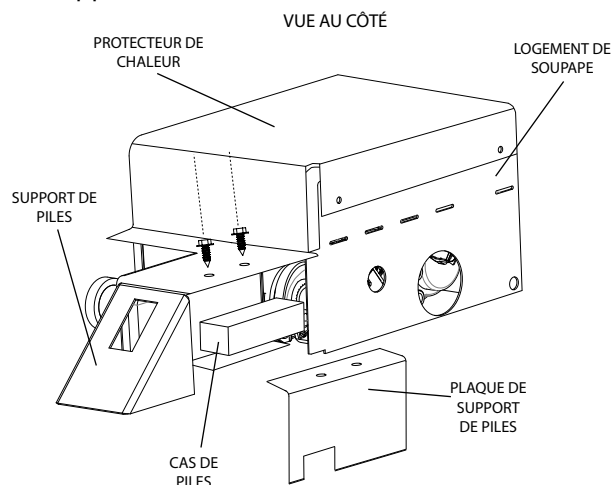
⚠ AVERTISSEMENT

CET APPAREIL DOIT ÊTRE INSTALLÉ DANS UN FOYER À COMBUSTIBLE SOLIDE AVEC UNE CHEMINÉE FONCTIONNELLE ET FABRIQUÉ DE MATÉRIAUX INCOMBUSTIBLES.

L'appareil et les bûches à gaz fonctionnent en tant que système. Si l'appareil ne tire pas de façon adéquate et qu'il refoule dans la pièce (vérifiez avec une allumette ou un bâton de fumée), repositionnez la butée de registre jusqu'à l'obtention d'un tirage positif en ouvrant le registre. Si une pression négative dans la maison vous empêche d'obtenir un tirage positif, consultez un spécialiste en qualité de l'air.

3.1 INSTALLATION DES PILES

- Enlevez les deux vis fixant la plaque de support pour accéder à la caisse de la batterie, comme indiqué ci-dessous.
- Installez les 4 piles « AA » 1,5V (fournies) dans le cas de piles.
- Installez l'assemblé du cas de piles dans le support de piles. Garantir que l'isolation couvre le côté au dessus et au gauche de la cas de piles, comme illustrée au dessous.
- Reinstallez la plaque de support de batterie.



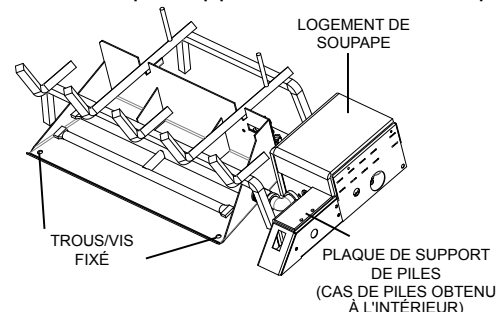
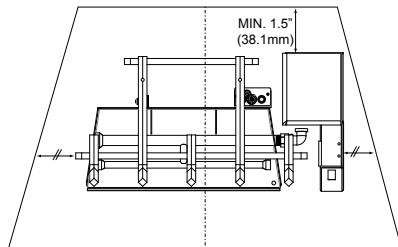
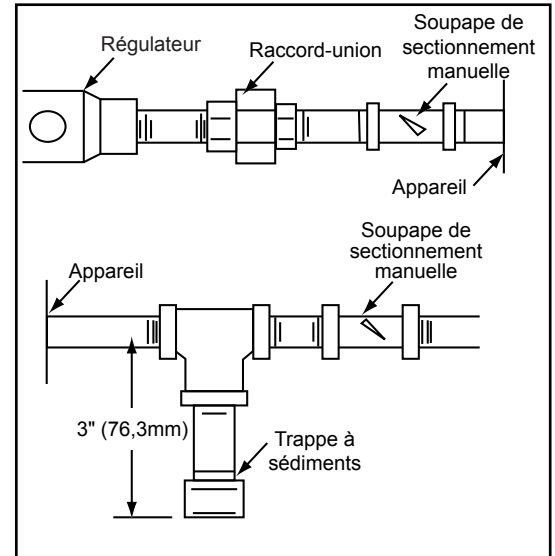
3.2 CONDUITE DE GAZ

! AVERTISSEMENT

NE RACCORDEZ PAS L'INTERRUPTEUR MURAL, LE THERMOSTAT OU LA SOUPE DE GAZ À L'ALIMENTATION ÉLECTRIQUE (110 VOLTS).

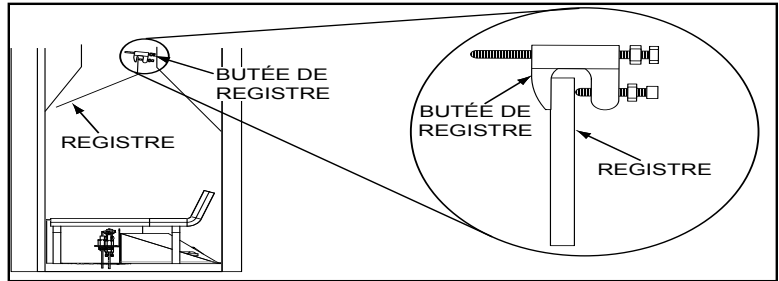
Cet appareil doit être isolé de la provision de gaz qui bat le système en fermant l'arrêt manuel pendant toutes tests de pression de la provision de gaz qui bat le système à l'égal de pression de test à ou moins que ½ livres par pouce carré (3,5 kPa)

- A. Centrez l'appareil dans le foyer en vous assurant qu'il y ait un minimum de 1,5 pouces (38,1 mm) d'espace à l'arrière du cheminée.
- B. Attacher le brûleur au cheminée utilisant les 2 vis fourni.
- C. Installée une ligne de gaz utilisant du battre ½ pouce (12,7mm) en diamètre ou plus pour fournir un volume de gaz plein à l'appareil. L'installation du ligne de gaz doit être conforme aux codes locaux ou National.
- D. Lorsqu'un tuyau rigide est utilisé, une soupape de sectionnement manuelle homologuée ANSI et un raccord union doivent être installés en amont à l'intérieur de l'appareil.
- E. Pour assurer que l'appareil fonctionne de façon fiable, installez une trappe à sédiments en amont de l'appareil, à l'intérieur des structures du système de tuyau.
- F. Lorsque vous utilisez du propane, un régulateur doit être utilisé entre le réservoir et le mur extérieur de la maison pour assurer que la pression de la conduite ne dépasse pas 14" (355.6mm) de colonne d'eau à l'intérieur du maison.
- G. Vérifiez les raccordements pour des fuites de gaz dans le système avec un appareil détecteur de gaz. Une solution d'eau savonneuse peut aussi être utilisée pour vérifier les fuites.
- H. Une fois que tous les raccordements ont été testés pour des fuites, allumez l'appareil. Avant de terminer, suivez les instructions d'allumage pour vous assurer que l'appareil fonctionne adéquatement.



3.3 INSTALLATION DE LA BUTÉE DE REGISTRE

Le registre doit être fixé en permanence pour éviter qu'il se ferme complètement et pour que le conduit ait une ouverture minimale. Il existe plusieurs méthodes d'installation du registre. Certaines d'entre elles pouvant être interdites selon la région, il serait important de connaître les normes qui s'appliquent à la vôtre. Pour des raisons pratiques, une butée de registre est fournie avec l'appareil et vous pouvez l'utiliser si l'État ou les codes locaux l'autorisent.



Utilisez le boulon réglable de 3" pour ajuster correctement l'ouverture du registre, comme indiqué dans le tableau ci-dessous. Si la butée de registre ne peut être fixée ou ne peut fournir l'ouverture permanente minimale requise selon le tableau ci-contre, coupez le registre ou installez une autre butée.

Avant d'installer un appareil à combustible solide, le conduit de cheminée et la chambre de combustion doivent être nettoyés par un ramoneur qualifié pour enlever la créosote, les cendres et la peinture écaillée. Lors de l'installation, vous devez fermer en permanence les prises d'air extérieur et les chutes à cendre de l'appareil

Si la butée de registre (fournie) ne convient pas, le registre peut être fixé en position ouverte de la façon suivante :

- Percez un trou à l'une des extrémités du registre.
- Avec un boulon de longueur et d'ajustement suffisants et deux écrous, fixez le registre.

*HAUTEUR DE LA CHEMINÉE (pieds)	OUVERTURE MINIMUM POUR LE BUTÉE (POUCES CARÉES)		
	GL22	GL28	GL32
6' (1,8m)	56,6" (1439mm)	64" (6125,6mm)	71,4" (1813,5mm)
8' (2,4m)	52,4" (1331mm)	59,7" (1516,8mm)	66,9" (1699,2mm)
10' (3m)	48,2" (1224mm)	54,3" (1379,2mm)	60,2" (1529mm)
15' (4,6m)	43,2" (1097mm)	48,8" (1239,5mm)	54" (1374,1mm)
20' (6m)	39,8" (1011mm)	44,4" (1127,7mm)	49,1 (1247mm)
30' (9,1m)	35,9" (912mm)	40,3" (1023,6mm)	44,5 (1130,3mm)

- * L'hauteur est mesurée du foyer au sommet de la cheminée.
- Ajustez selon l'ouverture requise.

4.0 FINITIONS

4.1 REMPLACEMENT DU SABLE ET BRAISE DE VITRE

- A. En utilisant le sable pour les modèles de gaz (GL22N, GL28N, GL32N) ou la braise de vitre pour les modèles de propane (GL22P, GL28P, GL32P), étaler les composants décoratif également sur le plateau de brûleur avec une pente descendante graduelle vers le face du plateau de brûleur.
- B. Étaler les braises de vitre également sur les composants décoratif.

NOTE: NE PAS COUVRIR LE PILOTE AVEC LES COMPONENTS DÉCORATIF OU BRAISES DE VITRE. NE PAS REMPLIR TROP.

4.2 ASSEMBLAGE DU CHENET

- A. Pour la meilleure résultat de la flamme et moins de carbone, positionner la grille aussi loin que possible.
- B. Fixez la protecteur de chaleur à l'arrière du plateau de brûleur avec les 2 vis fourni (pour modèle GL22 seulement), voir Figure 1.
- C. Fixez la grille à la plateau de brûleur (pour modèles GL28 et GL32 seulement) utilisant une vis fourni, voir Figure 2.

FIG. 1

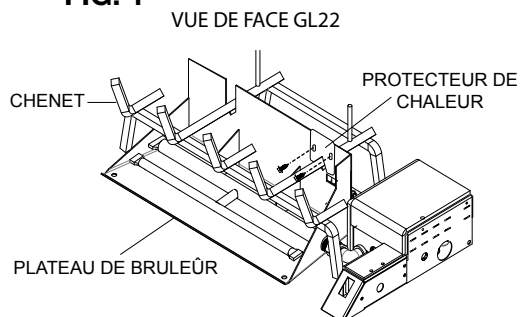
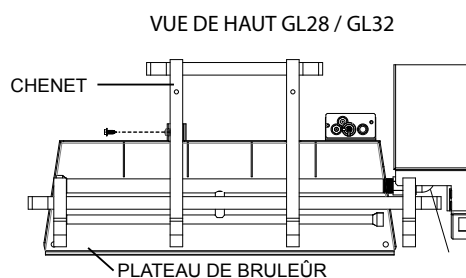


FIG. 2



4.3 TAS/BRAISES DE CHARBON

- A. Étaler les braises de charbon autour de la face et au côté du plateau de brûleur, comme illustrée au dessous.
- B. Placer les tas de charbon sur les braises du carbon au devant des composants décoratif.

NOTE: NE PAS COUVRIR L'OUVERTURE DE VOLET D'AIR AVEC LES TAS OU BRAISES DE CHARBON.



4.4 DISPOSITION DES BÛCHES

! AVERTISSEMENT
OMETTRE DE POSITIONNER LES BÛCHES CONFORMÉMENT AUX SCHÉMAS OU OMETTRE D'UTILISER UNIQUEMENT DES BÛCHES SPÉCIFIQUEMENT APPROUVÉES POUR CET APPAREIL PEUT CAUSER DES DOMMAGES MATÉRIELS OU DES BLESSURES CORPORELLES.
LES BÛCHES DOIVENT ÊTRE PLACÉES CORRECTEMENT À L'INTÉRIEUR DE L'APPAREIL. NE CHANGEZ PAS LA POSITION DES BÛCHES CAR L'APPAREIL RISQUE DE NE PAS FONCTIONNER ADÉQUATEMENT ET UN RETARD D'ALLUMAGE RISQUE DE SE PRODUIRE.
LES BÛCHES SONT FRAGILES ET DEVRAIENT ÊTRE MANIPULÉES AVEC SOIN.

76.1A

FR

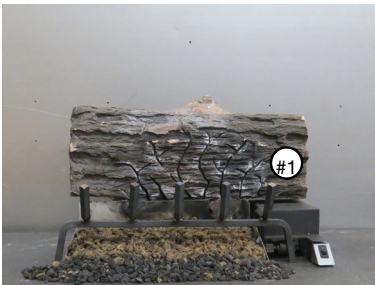
Les bûches PHAZER^{MD}, exclusives aux Foyers Napoléon, créent un effet incandescent réaliste et unique qui est différent dans chaque installation. Le fait de ne pas disposer les bûches selon les directives pourrait occasionner des problèmes de suie.

La couleur des bûches peut varier. Lors de la première utilisation de l'ensemble de bûches, les couleurs deviendront plus uniformes à mesure que leurs pigments seront « absorbés » pendant le procédé de « cuisson ».

Il se produira des dépôts de carbone et une diminution de flamme si les bûches ne sont pas placées correctement.

Le blocage des orifices du brûleur peut créer une flamme irrégulière, des dépôts de carbone et un retard d'allumage. N'utilisez que les bûches certifiées PHAZER^{MD} disponibles chez votre détaillant autorisé.

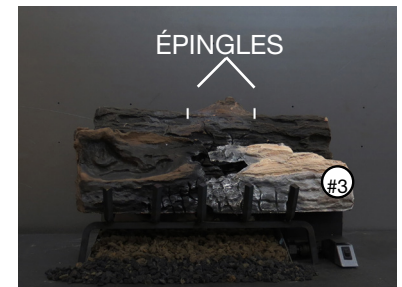
4.4.1 GL22



Placer la bûche postérieure (#1) sur les deux épingles, garantir que la bûche est poussé éclat contre le support du brûleur, à l'arrière de l'appareil, comme illustrée.



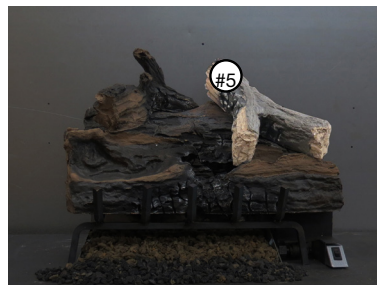
Placer la bûche (#2) sur le chenet à la côté gauche, comme illustrée.



Placer la bûche (#3) sur le chenet à la côté droite comme illustrée. Placer les deux épingles dans la bûche (#1) comme illustrée.



Placer la bûche (#4) à la côté gauche sur l'épingle, comme illustrée.

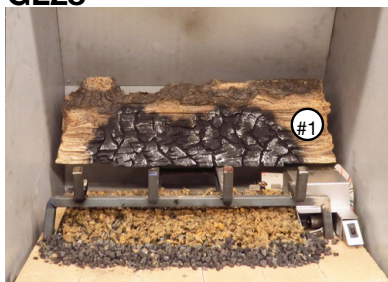


Placer la bûche (#5) à la côté droite sur l'épingle, comme illustrée.



Placer la bûche (#6) sur la bûche (#1) et reposer-la sur la bûche (#2).

4.4.2 GL28



Placer la bûche postérieur (#1) sur les deux épingle, garantir que la bûche est poussé éclat contre le support du brûleur, à l'arrière de l'appareil, comme illustrée.



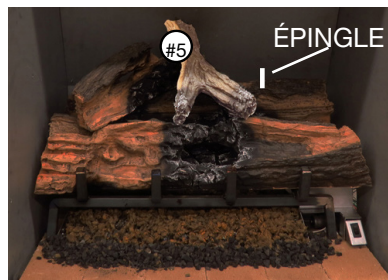
Placer la bûche (#2) sur le chenet à la côté gauche, comme illustrée.



Placer la bûche (#3) sur le chenet à la côté droite comme illustrée. Garantir que la bûche #2 et #3 sont centré sur le chenet. Placer une épingle dans la trou dans bûche (#1) comme illustrée.



Placer la bûche (#4) à la côté gauche sur l'épingle, comme illustrée.



Placer la bûche (#5) et reposer-la sur le sommet des bûches. Placer une épingle dans le trou à la droit de la bûche (#1) comme illustrée.



Placer la bûche (#6) à la côté droite sur l'épingle, comme illustrée.

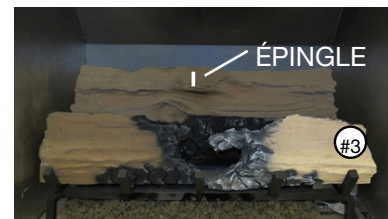
4.4.3 GL32



Placer la bûche postérieur (#1) sur les deux épingle, à l'arrière de l'appareil, comme illustrée.



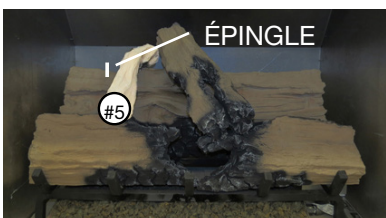
Placer la bûche (#2) sur le chenet à la côté gauche, comme illustrée.



Placer la bûche (#3) sur le chenet à la côté droite. Placer une épingle dans la trou dans bûche (#1) comme illustrée.



Placer la bûche (#4) sur l'épingle et reposer-la sur le sommet des bûches #2 et #3.



Placer la bûche (#5) et reposer-la sur le sommet des bûches à la côté gauche. Placer une épingle dans la bûche (#1) comme illustrée.



Placer la bûche (#6) à la côté gauche sur l'épingle. Placer l'autre épingle dans la trou de a bûche (#1) comme illustrée.



Placer la bûche (#7) à la côté droite sur l'épingle, comme illustrée.

4.5 INSTALLATION AUX MAISON MOBILE

Cet appareil doit être effectuée en respectant les directives du fabricant et le Manufactured Home Construction and Safety Standard, Title 24 CFR, Part 3280, aux États-Unis, ou les normes actuelles pour les maisons mobiles, CAN/CSA Z240 SÉRIE MH, au Canada. Cet appareil ne doit être utilisé qu'avec le type de gaz indiqué sur la plaque d'homologation. Un ensemble de conversion est fourni avec l'appareil pour maison mobile.

Cet appareil homologué pour les maisons mobiles et préfabriquées possède des éléments de fixation. L'appareil est muni de deux trous de $\frac{1}{4}$ " (6,4mm) de diamètre, situés aux coins avant, gauche et droit de la base. Fixez à l'aide de vis #10 à tête hexagonale insérées dans les trous de la base. Pour les produits autoportante, contactez votre revendeur agréé / distributeur permettant la sécurisation kit. Lors d'une installation dans une maison mobile, l'appareil doit être fixé au plancher. Éteignez toujours la veilleuse et l'alimentation en gaz à la source avant de déplacer la maison mobile. Après avoir déplacé la maison mobile et avant d'allumer l'appareil, assurez-vous que les bûches sont placées correctement.

Cet appareil est certifié pour être installé dans une maison mobile installée de façon permanente, sauf si les codes locaux l'interdisent. Cet appareil ne doit être utilisé qu'avec le type de gaz indiqué sur la plaque d'homologation. On ne peut utiliser cet appareil avec d'autres types de gaz, sauf si un ensemble de conversion certifié est utilisé.

Ensembles de conversion

L'appareil pour maison mobile peut être converti au gaz naturel (GN) ou au propane (PL).

Pour effectuer une conversion, veuillez consulter votre détaillant autorisé.

29.1B

4.6 INSTALLATION DU SYSTÈME DE COMMANDE À DISTANCE

- A. Placer le récepteur à la coin au devant de la plancher de cheminée.
- B. Débrancher les fils attachées au l'interrupteur.
- C. Brancher ces fils au télécommande.
- D. Couvrir le télécommande avec les bûches fourni.

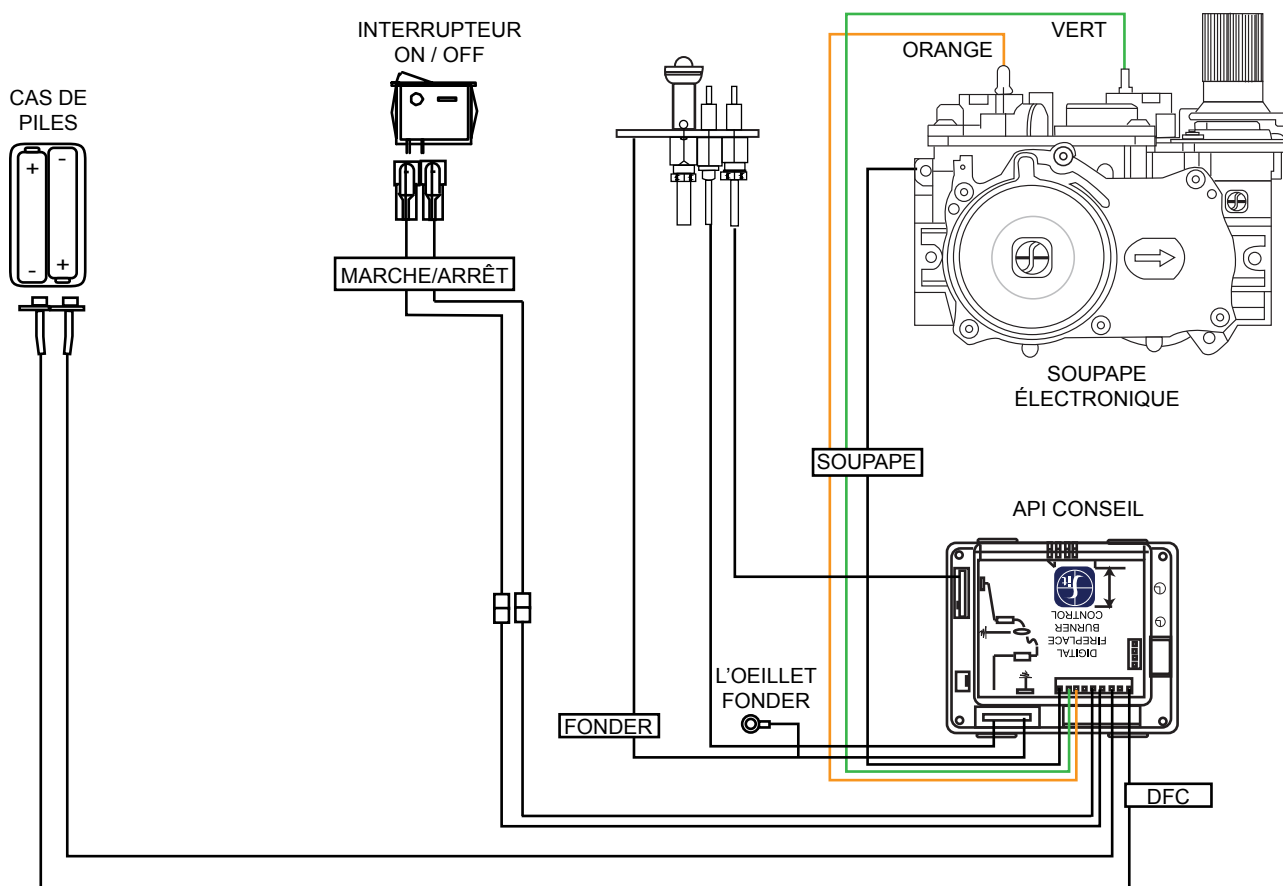
(Référer-vous au instructions d'installations de l'interrupteur.)

5.0 SCHÉMA DE CÂBLAGE

⚠ AVERTISSEMENT

NE RACCORDEZ PAS L'INTERRUPTEUR MURAL OU LA SOUPAPE DE GAZ À L'ALIMENTATION ÉLECTRIQUE (110 VOLTS)

Ce appareil est équipé avec une cas de piles. Installée les quatre AA piles dans le support de piles et attache-la au faisceau de fil. Attcher le cas de piles au faisceau de fil avant d'utiliser l'appareil. Il doivent être attacher au 6 bloc de piles de volt (fourni).



69.9

6.0 OPÉRATION

Si le foyer est muni de portes vitrées, elles doivent demeurer complètement ouvertes lors du fonctionnement de cet ensemble de bûches à gaz. Gardez le brûleur et le compartiment des contrôles propres.

6.1 INSTRUCTIONS

AVERTISSEMENT

SI CES INSTRUCTIONS NE SONT PAS SUIVIES À LA LETTRE, UN INCENDIE OU UNE EXPLOSION POURRAIENT S'ENSUIVRE, CAUSANT DES DOMMAGES MATÉRIELS, DES BLESSURES CORPORELLES OU DES PERTES DE VIE.

ALLUMEZ TOUJOURS LA VEILLEUSE, QUE CE SOIT POUR LA PREMIÈRE FOIS OU LORSQUE L'APPROVISIONNEMENT EN GAZ EST ÉPUISÉ, AVEC LA PORTE VITRÉE OUVERTE OU RETIRÉE.

POUR VOTRE SÉCURITÉ, LISEZ CE QUI SUIT AVANT D'ALLUMER L'APPAREIL :

- A.** Ne pas allumer si des enfants ou d'autres individus à risque sont à proximité d'appareil.
- B.** Avant d'allumer, sentez autour de l'appareil et près du plancher afin de vous assurer qu'il n'y a pas de fuite de gaz. Certains gaz sont plus lourds que l'air et se déposeront au niveau du plancher.
- C.** N'utilisez que votre main pour tourner le bouton de contrôle du gaz. N'utilisez jamais d'outils. Si le bouton ne tourne pas manuellement, n'essayez pas de le réparer. Appelez un technicien qualifié. Forcer le bouton ou tenter de réparer le mécanisme pourrait causer un feu ou une explosion.
- D.** N'utilisez pas cet appareil s'il a été plongé dans l'eau, même partiellement. Faites inspecter l'appareil par un technicien qualifié et remplacez toute partie du système de contrôle et toute commande qui ont été plongés dans l'eau.

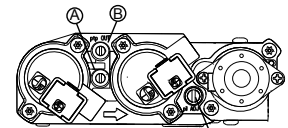
QUE FAIRE SI VOUS SENTEZ UN ODEUR DE GAZ :

- Coupez l'alimentation en gaz à l'appareil.
- Ouvrez les fenêtres.
- Ne pas tenter d'allumer d'appareil.
- Ne touchez à aucun interrupteur; ne pas vous servir des téléphones se trouvant dans le bâtiment.
- Appelez immédiatement votre fournisseur de gaz depuis un voisin. Suivez les instructions du fournisseur.
- Si vous ne pouvez rejoindre le fournisseur, appelez le service des incendies.



INSTRUCTIONS D'ALLUMAGE :

1. Ouvrez la porte vitre.
2. Retirez les piles.
3. Cet appareil est muni d'un dispositif d'allumage qui allume automatiquement la veilleuse. Ne tentez pas d'allumer la veilleuse manuellement.
4. Tournez la soupape d'arrêt manuelle située derrière l'appareil à « OFF ».
5. Attendez 5 minutes pour que le gaz puisse s'échapper. Si vous détectez une odeur de gaz, incluant au niveau du plancher, Arrêtez! et suivez les instructions ci-dessus « Que faire si vous détectez une odeur de gaz ». Continuez à l'étape suivante si vous ne sentez pas de gaz.
6. Tournez la soupape d'arrêt manuelle vers la gauche à « ON ».
7. Remplacez les piles.
9. Mettez l'interrupteur à « ON » et écoutez le bruit d'allumage.



POUR ÉTEINDRE LE GAZ:

1. Retirez les piles.
2. Tournez la soupape d'arrêt manuelle vers la droite à « OFF ». Ne forcez pas.

47.20

FR

7.0 RÉGLAGES

7.1 RÉGLAGE DE LA VEILLEUSE

Ajustez la vis de la veilleuse pour obtenir une flamme de taille normale. Tournez vers la droite pour réduire l'apport de gaz.

VÉRIFIER LA PRESSION :

Pour vérifier la pression d'arrivée, tournez la vis (A) vers la gauche deux à trois tours, puis emboîtez le tube du manomètre sur la pointe d'essai. Le manomètre doit indiquer la pression comme décrit sur le diagramme ci-dessous. Vérifier la pression avec brûleur principal sur « HI ».

La vérification de la pression de sortie s'effectue comme ci-dessus en utilisant la vis (B). Le manomètre doit indiquer la pression comme décrit sur le diagramme ci-dessous. Vérifier la pression avec brûleur principal sur « HI ».

APRÈS AVOIR PRIS LA LECTURE DES PRESSIONS, ASSUREZ-VOUS DE TOURNER FERMEMENT LES VIS VERS LA DROITE POUR SCELLER. NE SEREZ PAS TROP FORT.

Vérifiez pour des fuites en appliquant une solution d'eau savonneuse.

Avant d'effectuer le réglage de la veilleuse, assurez-vous que l'assemblage de la veilleuse n'a pas été peint. S'il y a des traces de peinture ou de surpulvérisation, enlevez-les de l'assemblage de la veilleuse ou remplacez-le. Une toile d'émeri ou un tampon récurage (comme Scotch-Brite™) peut être utilisé pour enlever la peinture sur la hotte de la veilleuse, sur l'électrode et sur le capteur de flamme.

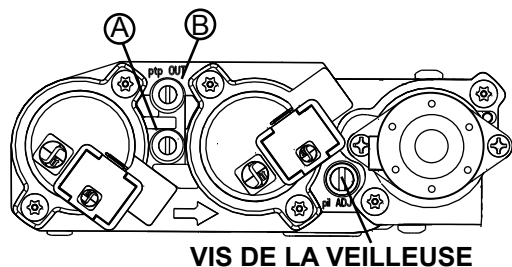
* Pression d'alimentation maximale ne devant ne pas dépasser 13"

Pression	Gaz Naturel (pouces)	Gaz Naturel (millibars)	Propane (pouces)	Propane (millibars)
Arrivée	7" (min.4,5")*	17,4 mb (min.11,2mb)	13" (min.11")	32,4 mb (min.27,4mb)
Sortie	3,5"	8,7 mb	10"	24,9 mb

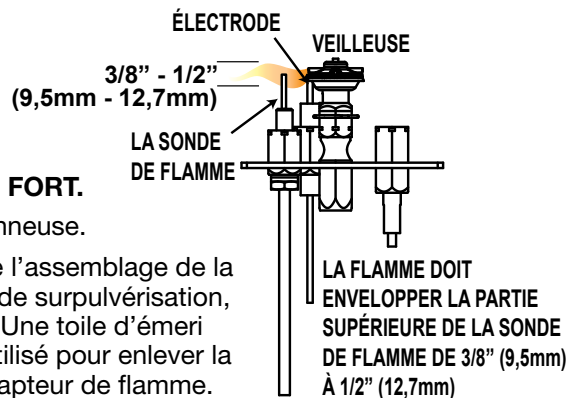
39.1D

7.2 CARACTÉRISTIQUES DES FLAMMES

Il est important d'effectuer périodiquement une inspection visuelle de la flamme de la veilleuse et du brûleur. Comparez-les à ces illustrations. Si des flammes paraissent anormales, contactez un technicien de service.



VIS DE LA VEILLEUSE



LA FLAMME DOIT ENVELOPPER LA PARTIE SUPÉRIEURE DE LA SONDE DE FLAMME DE 3/8" (9,5mm) À 1/2" (12,7mm)

54.1B

8.0 MAINTENANCE

! AVERTISSEMENT
COUPEZ L'ALIMENTATION EN GAZ ET L'ALIMENTATION ÉLECTRIQUE AVANT DE PROCÉDER À L'ENTRETIEN DE L'APPAREIL.
L'APPAREIL PEUT ÊTRE CHAUD. ATTENDEZ QU'IL SOIT REFROIDI AVANT D'EN FAIRE L'ENTRETIEN.
N'UTILISEZ PAS DE PRODUITS ABRASIFS.
NE PEINTURE PAS L'ASSEMBLAGE DU VEILLEUSE.

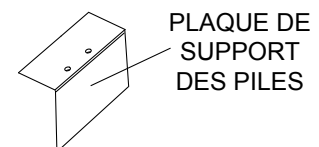
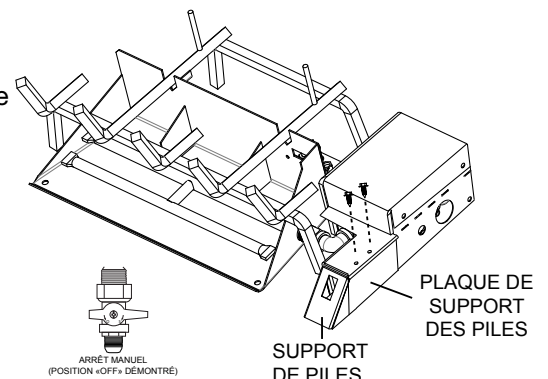
ATTENTION : Lors de l'entretien des contrôles, assurez-vous d'identifier chacun des fils avant de les débrancher. Une réinstallation incorrecte des fils peut occasionner un mauvais fonctionnement et être dangereuse. Assurez-vous que l'appareil fonctionne adéquatement une fois l'entretien terminé. Cet appareil et son système d'évacuation devraient être inspectés avant la première utilisation et au moins une fois l'an par un technicien de service qualifié. L'espace entourant l'appareil doit être gardé propre et libre de matériaux combustibles, d'essence ou autres liquides et vapeurs inflammables. Les apports d'air comburant et d'air de convection ne doivent pas être obstrués.

1. Pour nettoyer le brûleur principal et la veilleuse adéquatement, il faut retirer les bûches, les roches ou la vitre afin de dégager les deux ensembles.
2. Gardez le compartiment des contrôles, les composants décoratifs, le brûleur, le volet d'air et l'espace entourant les bûches propres en brossant ou en passant l'aspirateur au moins une fois l'an.
3. Assurez-vous que tous les orifices des brûleurs produisent des flammes. Nettoyez tous les orifices qui n'ont pas de flamme ou dont la flamme ne brûle pas adéquatement.
4. Assurez-vous que la flamme de la veilleuse est assez puissante pour envelopper la sonde de flamme et/ou le thermocouple/thermopile et qu'elle atteigne le brûleur.
5. Remettez en place les bûches, les roches ou la vitre nettoyées. Omettre de positionner les composants décoratifs adéquatement peut causer des dépôts de carbone qui peuvent se déposer dans des endroits de séjour avoisinants.
6. Vérifiez si tous les orifices du brûleur principal sont allumés lorsque l'appareil est en marche. Un temps d'allumage total de 5 à 10 secondes est satisfaisant. Si l'allumage prend plus de temps, consultez votre détaillant autorisé.
7. Inspectez visuellement l'appareil pour des dépôts de carbone. À l'aide d'une balayette ou d'une brosse, enlevez le carbone et aspirez-le avec un aspirateur ou mettez-le au rebut.
8. Assurez-vous que l'appareil évacue correctement. Assurez-vous que la cheminée est sécuritaire et qu'elle n'est pas obstruée.

40.19A

8.1 REMPLACEMENT DES PILES

- A. Avant de remplacer les piles, éteindre l'arrêt manuel du gaz.
- B. Enlever les quatre vis du plaque de support des piles, comme illustrée.
- C. Enlever le cas de piles de la support de piles ensuite enlever les 4 piles « AA » 1,5V du cas de piles et remplacez-le avec 4 nouveaux piles.
- D. Retourner le cas de piles dans le support de piles.
- E. En installant le cas de pile garantir que l'isolation de chaleur reste obtenu au cas.
- F. Reposer la support de pile et obtenir l'utilisant les quatre vis, comme illustrée.
- G. Tourner l'arrêt manuel du gaz à la position «ON».



9.0 RECHANGES

AVERTISSEMENT

OMETTRE DE POSITIONNER LES PIÈCES CONFORMÉMENT À CE MANUEL OU D'UTILISER UNIQUEMENT DES PIÈCES SPÉCIFIQUEMENT APPROUVÉES POUR CET APPAREIL PEUT CAUSER DES DOMMAGES MATÉRIELS OU DES BLESSURES CORPORELLES.

Contactez votre détaillant pour les questions concernant les prix et la disponibilité des pièces de rechange. Normalement, toutes les pièces peuvent être commandées chez votre détaillant autorisé.

POUR UN REMPLACEMENT DE PIÈCE SOUS GARANTIE, UNE PHOTOCOPIE DE LA FACTURE ORIGINALE SERA REQUISE AFIN DE POUVOIR HONORER LA DEMANDE.

Lorsque vous commandez des pièces, donnez toujours l'information suivante :

- Modèle et numéro de série de l'appareil
- Date d'installation de l'appareil
- Numéro de la pièce
- Description de la pièce
- Fini

PIÈCES, NUMÉRO DES PIÈCES ET SI'IL SOIT DISPONIBILITÉ PEUT CHANGER SANS PRÉAVIS.

PARTIES IDENTIFIÉES COMME GARNIE SERONT LIVRÉS DANS 2 À 5 JOURS POUR LA PLUPART DES DESTINATIONS DE LIVRAISON.

PIÈCES NON IDENTIFIÉES QUE STOCKÉS SERONT LIVRÉS DANS UN DÉLAI DE 2 À 4 SEMAINES POUR LA PLUPART DES CAS.

PIÈCES IDENTIFIÉES COMME « SO » SONT COMMANDE SPÉCIALE ET PEUVENT PRENDRE JUSQU'À 90 JOURS POUR LA LIVRAISON.

41.1C

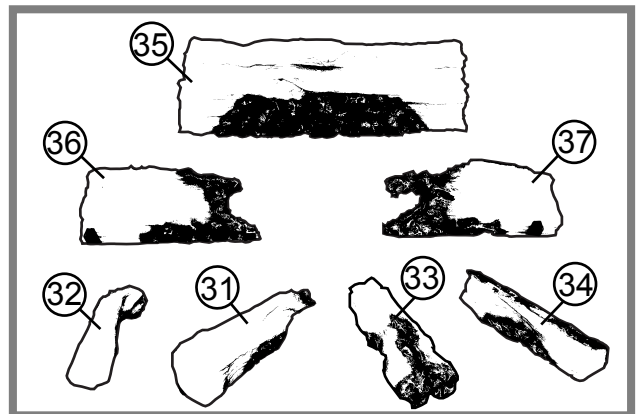
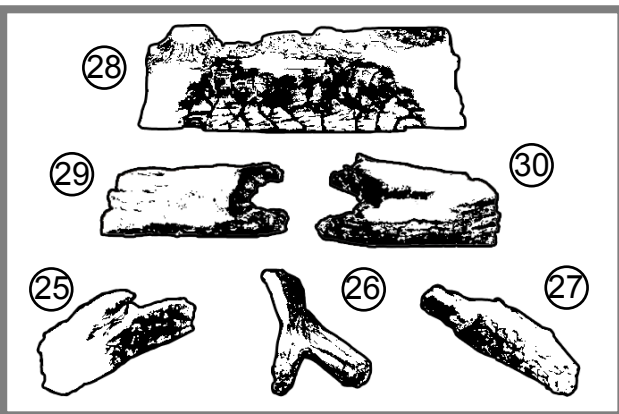
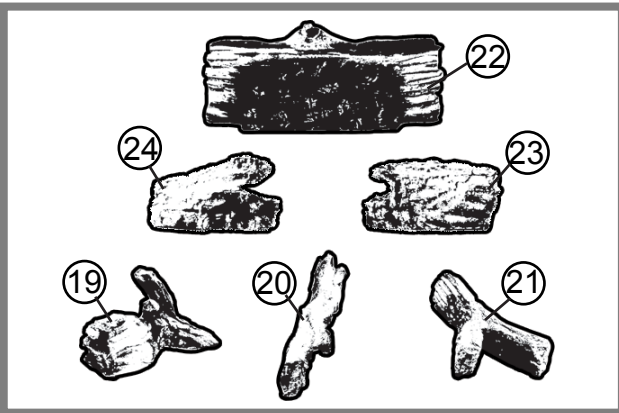
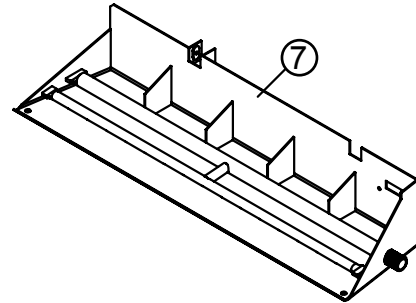
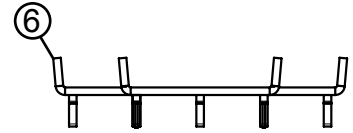
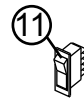
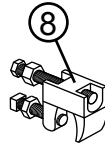
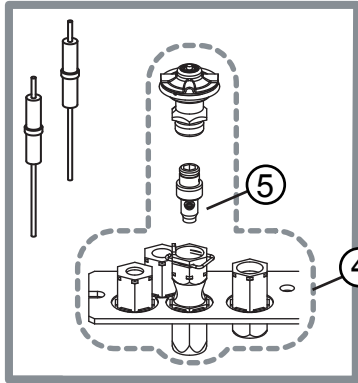
COMPOSANTS

N° DE REF	N° DE PIÈCE	DESCRIPTION
1	GL-681	SÉRIE DE BÛCHE, GL22
2	GL-682	SÉRIE DE BÛCHE, GL28
3	GL-683	SÉRIE DE BÛCHE, GL32
4	W010-2808	ASSEMBLÉE PILOT (LP BILATÉRAL)
5	W010-2763	ASSEMBLÉE PILOT (NG BILATÉRAL)
6	W010-2832	ASSEMBLÉE DE CHENET (GL32)
7	W010-3101	L'ASSEMBLÉE DU PLATEAU DE BRÛLEUR (GL22)
7	W010-3102	L'ASSEMBLÉE DU PLATEAU DE BRÛLEUR (GL28)
7	W010-3103	L'ASSEMBLÉE DU PLATEAU DE BRÛLEUR (GL32)
8	W010-2851	L'ASSEMBLÉE DU BUTÉE DE REGISTRE (GL22/28/32)
9*	W190-0072	API CONSEIL D'IGNITION
10*	W445-0038	LE CONNECTEUR 3/8 TUBE A 3/8 TUYAU
11	W660-0009	COMMUTATEUR «ON/OFF»
12*	W725-0066	SOUPAPE SIT 880 PL FIXÉ REG (LDH45)
13*	W750-0175	10" FIL AVEC 1/4" DRAPEAUX (2) (EP36)
14*	W750-0214	FIL, 19" GROUND
15*	W750-0269	FAISCEAU DE FIL, WHVF29
16*	W175-0227	CONNECTEUR, FLECHIR (3/8" ST.ST.)
17*	W225-0038	ORIFICE 1/2" - 3/8" FP-MP, GL28P/GL32P
17*	W255-0042	ORIFICE 1/2" - 3/8" FP-MP,
17*	W255-0041	ORIFICE 1/2" - 3/8" FP-MP
17*	W255-0040	ORIFICE 1/2" - 3/8" FP-MP

17*	W255-0036	ORIFICE 1/2" - 3/8" FP-MP
18*	W725-0065	SOUPAPE, GN FIXÉ REG (LHD45)
19	W135-0507	BÛCHE, GAUCHE AU DESSUS (GL22)
20	W135-0508	BÛCHE, CENTRAL AU DESSUS (GL22)
21	W135-0509	BÛCHE, DROITE AU DESSUS (GL22)
22	W135-0510	BÛCHE, ARRIÈRE (GL22)
23	W135-0511	BÛCHE, DEVANT DROITE (GL22)
24	W135-0512	BÛCHE, DEVANT GAUCHE (GL22)
25	W135-0513	BÛCHE, GAUCHE AU DESSUS (GL28)
26	W135-0514	BÛCHE, CENTRAL AU DESSUS (GL28)
27	W135-0515	BÛCHE, DROITE AU DESSUS (GL28)
28	W135-0516	BÛCHE, ARRIÈRE (GL28)
29	W135-0517	BÛCHE, DEVANT DROITE (GL28)
30	W135-0518	BÛCHE, DEVANT GAUCHE (GL28)
31	W135-0519	BÛCHE, GAUCHE AU DESSUS (GL32)
32	W135-0520	BÛCHE, CENTRAL #1 (GL32)
33	W135-0521	BÛCHE, CENTRAL #2 (GL32)
34	W135-0522	BÛCHE, DROITE AU DESSUS (GL32)
35	W135-0523	BÛCHE , ARRIÈRE #1 (GL32)
36	W135-0525	BÛCHE, DEVANT DROITE (GL32)
37	W135-0526	BÛCHE, DEVANT GAUCHE (GL32)
38*	W020-0718	SABLE (GL22)
39*	W020-0721	SABLE (GL28)
40*	W020-0715	SABLE (GL32)

ACCESSOIRES

N° DE REF	BÛCHES À GAZ	DESCRIPTION
41*	GD-660	INTERRUPTEUR MURAL AVEC FIL DE 20"
42*	F45	TÉLÉCOMMANDE MARCHE/ARRÊT



10.0 GUIDE DE DÉPANNAGE

! AVERTISSEMENT

COUPEZ L'ALIMENTATION EN GAZ ET L'ALIMENTATION ÉLECTRIQUE AVANT DE PROCÉDER À L'ENTRETIEN DE L'APPAREIL.

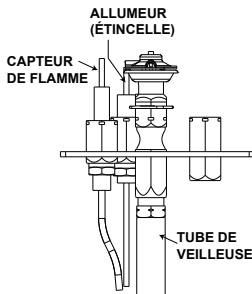
L'APPAREIL PEUT ÊTRE CHAUD. ATTENDEZ QU'IL SOIT REFROIDI AVANT D'EN FAIRE L'ENTRETIEN.

N'UTILISEZ PAS DE PRODUITS ABRASIFS.

NE PEINTURE PAS L'ASSEMBLAGE DU VEILLEUSE.

FR

SYMPTOM	PROBLEM	TEST SOLUTION
La veilleuse ne s'allume pas.	Piles	- Vérifiez les piles
Il y a du bruit, mais aucune étincelle au brûleur de la veilleuse.	Filage.	- Vérifiez si le fil « S » pour la sonde et le fil « I » pour l'allumeur sont raccordés aux bonnes bornes (non inversés) sur le module d'allumage et l'assemblage de la veilleuse. NOTE : la sonde a une connexion de 3/16" (4,8mm) et l'allumeur, une connexion de 1/8" (3,2mm).
	Connexion desserrée.	- Vérifiez qu'il n'y ait pas de connexions desserrées, de courts-circuits dans le filage ou des contacts avec des objets métalliques.
	Module d'allumage.	- Mettez l'interrupteur MARCHE/ARRÊT à « OFF ». Retirez le fil d'allumage « I » du module. Mettez l'interrupteur MARCHE/ARRÊT à « ON ». Tenez un fil mis à la terre à environ 3/16" (4,8mm) de la borne « I » sur le module. S'il n'y a pas d'étincelle, la borne « I » du module doit être remplacée. S'il y a une étincelle, la borne « I » fonctionne bien. Inspectez l'assemblage de la veilleuse pour un fil causant un court-circuit ou un isolateur craqué autour de l'électrode.
	Electrode.	- Inspectez l'assemblage de la veilleuse pour un fil causant un court-circuit ou un isolateur craqué autour de l'électrode.
	La longueur de l'étincelle est incorrecte.	- La longueur de l'étincelle de l'allumeur à la veilleuse devrait être de 0,17" ou 1/8" (3,2mm).
	Une connexion desserrée ou causant un court-circuit.	- Retirez et réinstallez le harnais de fils qui se branche dans le module. Retirez et vérifiez la continuité de chaque fil dans le harnais de fils.
	Filage d'interrupteur inapproprié.	- Réparez le système avec un simple interrupteur MARCHE/ARRÊT.
Le module n'est pas mis à la terre.	- Vérifiez si les assemblages de la veilleuse et de la soupape sont bien mis à la terre au niveau du châssis métallique de l'appareil ou de l'ensemble de bûches.	
Étincelle à la veilleuse, mais celle-ci ne s'allume pas.	Alimentation en gaz.	- Vérifiez si la soupape à bille de la conduite d'arrivée du gaz est « Ouverte ». Vérifiez si la pression d'arrivée est dans les limites acceptables. La pression d'arrivée ne doit pas excéder 14" de colonne d'eau (34,9mb).
	Plus de propane.	- Remplissez le réservoir.



SYMPTOM	PROBLEM	TEST SOLUTION
Du carbone se dépose sur la vitre, les bûches, les roches, les composants décoratifs ou les parois de la chambre de combustion.	Le volet d'air est bloqué.	- Assurez-vous que l'ouverture du volet d'air n'est pas bloquée par des fibres ou autres obstructions.
	Les flammes effleurent la vitre, les bûches, les roches, les composants décoratifs ou la chambre de combustion.	- Vérifiez si la vitre, les bûches, les roches ou les composants décoratifs sont positionnés correctement. - Augmentez l'ouverture du volet d'air pour augmenter le volume d'air primaire. - Vérifiez le débit d'alimentation : vérifiez que la pression du collecteur et la grandeur de l'injecteur sont telles que spécifiées sur la plaque d'homologation. - Vérifiez si les joints de la porte ne sont pas brisés ou manquants et qu'ils sont étanches. - Vérifiez que les deux conduits d'évent ne sont pas troués et qu'ils sont bien scellés à tous les joints. - Vérifiez si l'élévation minimale par pied est conforme pour toute évacuation horizontale.
Continue de produire des étincelles et la veilleuse s'allume, mais le brûleur principal ne s'allume pas.	Court-circuit ou connexion desserrée dans la tige de la sonde.	- Vérifiez toutes les connexions. Vérifiez si les connexions de l'assemblage de la veilleuse sont serrées; vérifiez aussi si ces connexions ne causent pas de mise à la terre au niveau du métal.
	Mauvais redressement du courant de la flamme ou tige de sonde contaminée.	- Vérifiez si la flamme enveloppe la tige de la sonde. Ceci augmentera le redressement du courant de la flamme. Vérifiez si le bon injecteur de veilleuse est installé et que l'alimentation en gaz est conforme aux spécifications du manuel. (Souvenez-vous que la flamme transporte le courant redresseur et non le gaz. Si la flamme se détache de la hotte, le circuit est rompu. Un mauvais injecteur ou une pression d'arrivée trop élevée peut causer la flamme de la veilleuse à se détacher.) La tige de la sonde a possiblement besoin d'être nettoyée.
	Mauvaise mise à la terre entre l'assemblage de la veilleuse et la soupape de gaz.	- Vérifiez si le harnais de fils est solidement branché au module. Vérifiez si l'isolateur de céramique autour de la sonde est craqué, endommagé ou desserré. Vérifiez la connexion de la tige de la sonde au fil de la sonde.
	Veilleuse endommagée ou tige de sonde salie.	- Nettoyez la tige de la sonde avec une toile d'émeri afin d'enlever toute contamination qui ait pu s'accumuler sur la tige de la sonde. Vérifiez la continuité avec un multimètre réglé sur Ohms au calibre le plus bas. Vérifiez pour un fil causant un court-circuit ou un isolateur craqué.
	La veilleuse a été peint	- Utilisant une pièce de papier de verre ou du tissu d'émeri pour enlever la peinture du capuchon du veilleuse, l'allumeur et le sonde de flamme.
La veilleuse s'allume. Arrête de produire des d'étincelles/la veilleuse reste allumée, mais le brûleur ne s'allume pas.	Filage/connexion.	- Inspectez tous les fils, assurez-vous que les connexions sont bien serrées. Vérifiez si tout le filage est installé exactement tel que spécifié.
	Harnais de fils.	- Inspectez le harnais de fils et vérifiez qu'il soit solidement branché au module. Vérifiez que tous les fils sont branchés dans le bon ordre. Voir la section « SCHÉMA DE CÂBLAGE ».
	La veilleuse a été peint	- Utilisant une pièce de papier de verre ou du tissu d'émeri pour enlever la peinture du capuchon du veilleuse, l'allumeur et le sonde de flamme.
On détecte l'odeur des gaz de combustion dans la pièce; maux de tête.	L'appareil refoule les gaz de combustion dans la pièce.	- Vérifiez tous les joints scellés. - Vérifiez si l'odeur de gaz n'entre pas par une porte ou une fenêtre ouverte.

11.0 GARANTIE

Les produits NAPOLÉON® sont fabriqués conformément aux normes strictes du certificat d'assurance de qualité mondialement reconnu ISO 9001 : 2008.

Les produits NAPOLÉON® sont conçus avec des composants et des matériaux de qualité supérieure, assemblés par des artisans qualifiés qui sont fiers de leur travail. Une fois assemblé, chaque ensemble de bûches est soigneusement inspecté par un technicien qualifié avant d'être emballé pour garantir que vous, le client, recevez le produit de qualité dont vous vous attendez de NAPOLÉON.

GARANTIE À VIE LIMITÉE DE L'ENSEMBLE DE BÛCHES À GAZ NAPOLÉON

Les bûches PHAZER^{MD} de votre nouvel ensemble de bûches à gaz NAPOLÉON sont garanties contre les défauts tant que vous en êtes le propriétaire.

Les composants électriques (110 V et millivolt) et les pièces soumises à l'usure sont couverts et NAPOLÉON fournira gratuitement les pièces de rechange durant la première année de la garantie limitée. Ceci couvre: la soupape de gaz, l'interrupteur thermique, les interrupteurs, l'installation électrique, la télécommande, l'allumeur, les joints d'étanchéité et l'assemblage de la veilleuse.*

*La fabrication de chaque modèle varie. La garantie s'applique uniquement aux composants disponibles avec votre appareil.

CONDITIONS ET LIMITATIONS

NAPOLÉON garantit ses produits contre les défauts de fabrication à l'acheteur d'origine seulement. L'enregistrement de la garantie n'est pas nécessaire. Fournissez simplement une preuve d'achat ainsi que le modèle et le numéro de série afin d'effectuer une réclamation de garantie. NAPOLÉON se réserve le droit de demander à son représentant d'inspecter tout produit ou pièce avant d'honorer toute réclamation. L'achat doit avoir été fait par l'entremise d'un détaillant NAPOLÉON autorisé et sous réserve des conditions et limitations suivantes :

La couverture de la garantie débute à partir de la date d'installation originale.

Cette garantie du fabricant n'est pas transférable et ne peut être prolongée ou étendue par aucun de nos représentants quelle qu'en soit la raison.

L'installation doit être faite conformément aux instructions d'installation incluses avec le produit et à tous les codes d'incendie et de construction locaux et nationaux. Cette garantie limitée ne couvre pas les dommages causés par un mauvais usage, un manque d'entretien, un accident, des altérations, des abus ou de la négligence, et l'installation de pièces d'autres fabricants annulera cette garantie.

Cette garantie limitée ne couvre pas non plus les égratignures, les bossellements, la corrosion ou la décoloration causés par une chaleur excessive, des produits d'entretien chimiques et abrasifs ou l'écaillage des pièces en porcelaine émaillée, le bris par manipulation des bûches PHAZER^{MD} et des braises.

Au cours de la première année seulement, cette garantie s'étend à la réparation ou au remplacement des pièces garanties dont les matériaux ou la fabrication sont défectueux à la condition que le produit ait été utilisé conformément aux instructions de fonctionnement et dans des conditions normales.

Après la première année, concernant cette Garantie à Vie Limitée, NAPOLÉON peut, à sa discrétion, se libérer entièrement de toute obligation en ce qui concerne cette garantie en remboursant à l'acheteur d'origine le prix de gros de toute pièce garantie qui est défectueuse.

NAPOLÉON ne sera pas responsable de l'installation, de la main-d'oeuvre ou autres dépenses relatives à la réinstallation d'une pièce garantie et de telles dépenses ne sont pas couvertes par cette garantie.

Nonobstant toutes les dispositions contenues dans la Garantie à Vie Limitée, la responsabilité de NAPOLÉON sous cette garantie est définie comme ci-dessus et elle ne s'étendra à aucun dommage accidentel, consécutif ou indirect.

Cette garantie définit l'obligation et la responsabilité de NAPOLÉON® en ce qui concerne les bûches à gaz NAPOLÉON.

Toute autre garantie énoncée ou implicite concernant ce produit, ses composants ou accessoires est exclue.

NAPOLÉON n'endosse ni n'autorise aucun tiers à assumer en son nom, toute autre responsabilité concernant la vente de ce produit.

Tout dommage causé au brûleur, aux bûches ou autres composants par l'eau, les intempéries, de longues périodes d'humidité, la condensation, des produits chimiques ou produits d'entretien nuisibles ne seront pas la responsabilité de NAPOLÉON.

Toutes les pièces remplacées en vertu de la politique de Garantie à vie limitée du Président ne peuvent faire l'objet que d'une seule réclamation.

Durant les dix premières années, NAPOLÉON remplacera ou réparera les pièces défectueuses qui sont couvertes par la garantie à vie limitée à sa discrétion gratuitement. Après les dix premières années, NAPOLÉON fournira les pièces de rechange à 50% du prix de détail courant.

Toutes les pièces remplacées en vertu de la politique de Garantie à vie limitée du Président ne peuvent faire l'objet que d'une seule réclamation.

Le fabricant peut exiger que les pièces défectueuses ou les produits soient retournés ou que des photos numériques soient fournies pour valider la réclamation. Les produits retournés doivent être expédiés port payé au fabricant pour une inspection en usine. Si un produit est déclaré défectueux, le fabricant le réparera ou le remplacera.

Avant d'expédier votre appareil ou les pièces défectueuses, votre détaillant doit obtenir un numéro d'autorisation. Toute marchandise expédiée à notre usine sans autorisation sera refusée et retournée à l'expéditeur.

Les coûts d'expédition ne sont pas couverts par cette garantie.

Les frais de déplacement pour main-d'oeuvre, de tests de diagnostic, d'expédition et autres frais afférents ne sont pas couverts par cette garantie.

TOUTES LES SPÉCIFICATIONS ET LES CONCEPTIONS SONT SUJETTES À MODIFICATIONS SANS PRÉAVIS EN RAISON DES AMÉLIORATIONS CONSTANTES APPORTÉES AU PRODUIT. NAPOLÉON® EST UNE MARQUE DE COMMERCE DÉPOSÉE DE WOLF STEEL LTÉE.

Autres produits Napoléon®



Foyers encastrés • Grils au charbon de bois • Foyers au gaz • Cascades d'eau
Poêles à bois • Produits HVAC • Foyers électriques • Foyers extérieurs • Grils à gaz de qualité



7200, Route Transcanadienne, Montréal, Québec H4T 1A3
24 Napoleon Road, Barrie, Ontario, Canada L4M 0G8
214 Bayview Drive, Barrie, Ontario, Canada L4N 4Y8
103 Miller Drive, Crittenden, Kentucky, USA 41030

Foyers / Chauffage et Climatisation / Grils composez : 514-737-6294
napoleonproducts.com