

INSTALLER: LEAVE THIS MANUAL WITH THE APPLIANCE.
CONSUMER: RETAIN THIS MANUAL FOR FUTURE REFERENCE.
NEVER LEAVE CHILDREN OR OTHER AT RISK INDIVIDUALS ALONE WITH THE APPLIANCE.



INSTALLATION AND OPERATING INSTRUCTIONS

CERTIFIED UNDER CANADIAN AND AMERICAN NATIONAL STANDARDS: CR97-003 • CAN-2.21-M85 • IAS US. 4-96

CERTIFIED FOR CANADA AND UNITED STATES USING ANSI/CSA METHODS.

SAFETY INFORMATION

WARNING

If the information in these instructions are not followed exactly, a fire or explosion may result causing property damage, personal injury or loss of life.

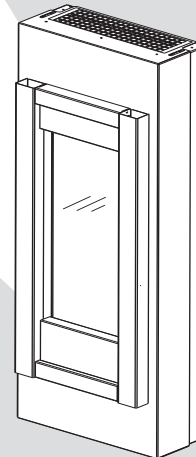
- Do not store or use gasoline or other flammable vapors and liquids in the vicinity of this or any other appliance.
- **WHAT TO DO IF YOU SMELL GAS:**
 - Do not try to light any appliance.
 - Do not touch any electrical switch; do not use any phone in your building.
 - Immediately call your gas supplier from a neighbour's phone. Follow the gas supplier's instructions.
 - If you cannot reach your gas supplier, call the fire department.
- Installation and service must be performed by a qualified installer, service agency or the supplier.

This appliance is only for use with the type of gas indicated on the rating plate. This appliance is not convertible for use with other gases, unless a certified kit is used.



GSST8N NATURAL GAS

GSST8P PROPANE



WARNING: FOR OUTDOOR USE ONLY

WARNING

HOT GLASS WILL CAUSE BURNS.

DO NOT TOUCH GLASS UNTIL COOLED.

NEVER ALLOW CHILDREN TO TOUCH GLASS.



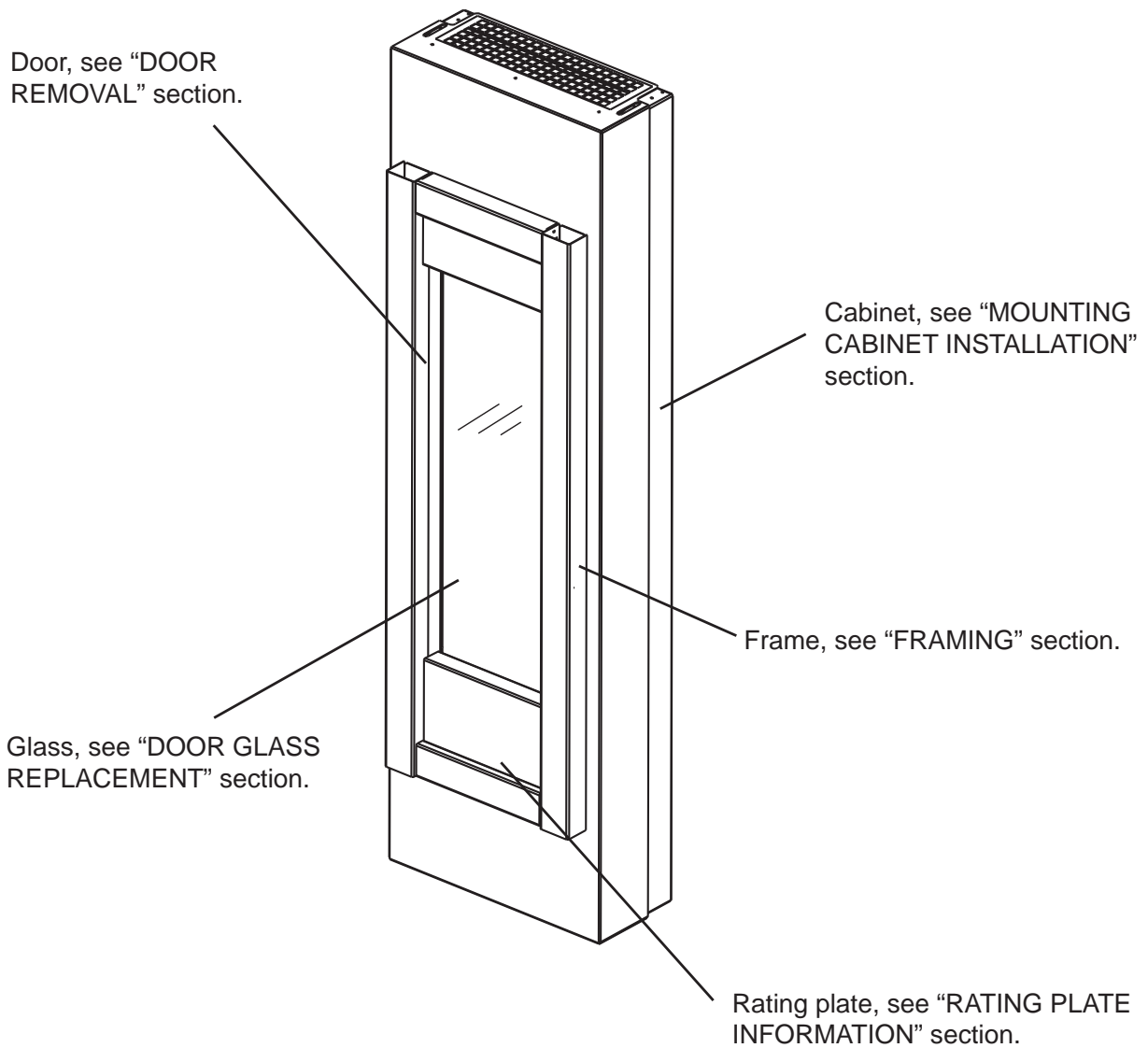
Wolf Steel Ltd., 24 Napoleon Rd., Barrie, ON, L4M 0G8 Canada /
103 Miller Drive, Crittenden, Kentucky, USA, 41030
Phone (705)721-1212 • Fax (705)722-6031 • www.napoleonfireplaces.com • ask@napoleonproducts.com

TABLE OF CONTENTS

1.0	INSTALLATION OVERVIEW	3
2.0	INTRODUCTION	4
	2.1 DIMENSIONS	5
	2.2 GENERAL INSTRUCTIONS	5
	2.3 GENERAL INFORMATION	6
	2.4 RATING PLATE INFORMATION	7
3.0	INSTALLATION	8
	3.1 INSTALLATION CLEARANCES	8
	3.2 GAS INSTALLATION	9
	3.3 COMBUSTION AND VENTILATION AIR	9
4.0	FRAMING	10
	4.1 CLEARANCES TO COMBUSTIBLES	10
5.0	FINISHING	11
	5.1 TMCSS MOUNTING CABINET INSTALLATION	11
	5.2 RAIN TABS	12
	5.3 DOOR REMOVAL	13
	5.4 GLASS MEDIA INSTALLATION	14
	5.5 TFSSO FRAME INSTALLATION	15
	5.6 LOGO PLACEMENT	15
	5.7 LK8 LIGHT INSTALLATION (OPTIONAL)	16
6.0	ELECTRICAL INFORMATION	17
7.0	OPERATION	18
8.0	ADJUSTMENTS	19
	8.1 GAS PRESSURE ADJUSTMENT	19
	8.2 VENTURI ADJUSTMENT	19
	8.3 FLAME CHARACTERISTICS	19
9.0	MAINTENANCE	20
	9.1 CARE OF GLASS	20
	9.2 DOOR GLASS REPLACEMENT	21
	9.3 CARE OF STAINLESS STEEL	21
10.0	REPLACEMENTS	22
11.0	TROUBLESHOOTING	24
12.0	WARRANTY	26
13.0	SERVICE HISTORY	27

NOTE: Changes, other than editorial, are denoted by a line in the margin.

1.0 INSTALLATION OVERVIEW



⚠ WARNING: This product can expose you to chemicals including lead and lead compounds, which are known to the State of California to cause cancer, and chemicals including carbon monoxide, which are known to the State of California to cause birth defects or other reproductive harm. For more information, go to www.P65Warnings.ca.gov.

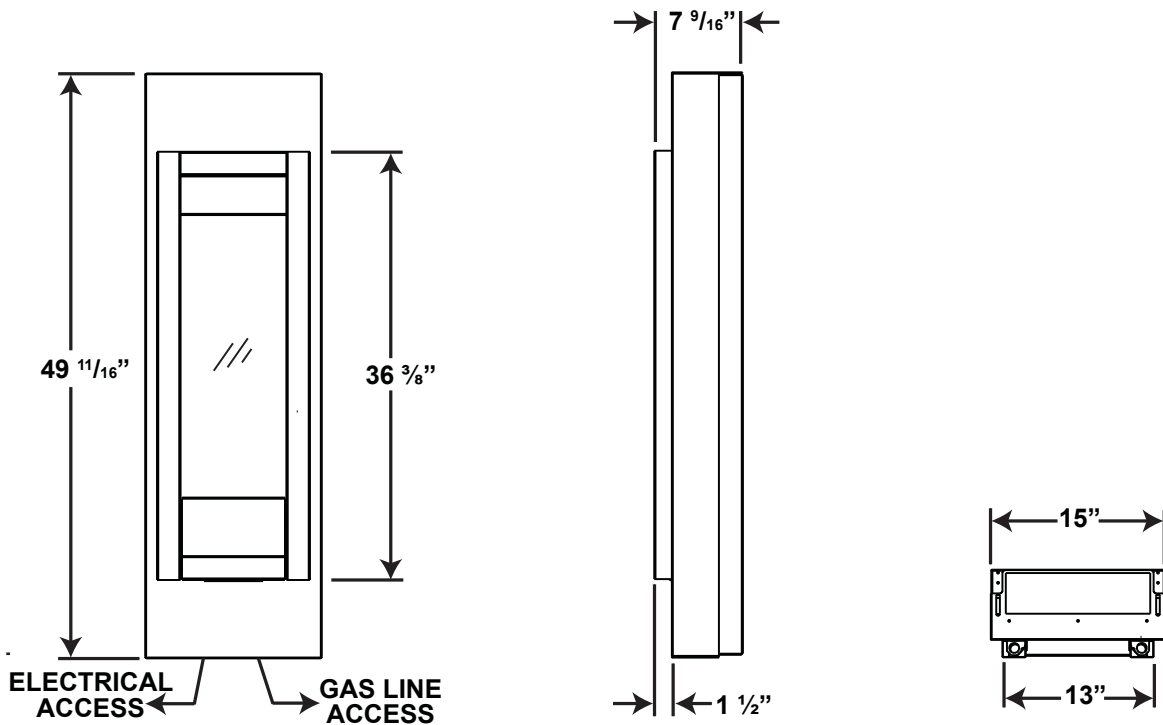
2.0 INTRODUCTION

WARNING

- **THIS APPLIANCE IS HOT WHEN OPERATED AND CAN CAUSE SEVERE BURNS IF CONTACTED.**
- Do not operate appliance before reading and understanding operating instructions. Failure to operate appliance according to operating instructions could cause fire or injury.
- Any changes to this appliance or its controls can be dangerous and is prohibited.
- Risk of burns. The appliance should be turned off and cooled before servicing.
- Do not install damaged, incomplete or substitute components.
- Risk of cuts and abrasions. Wear protective gloves and safety glasses during installation. Sheet metal edges may be sharp.
- Do not burn wood or other materials in this appliance.
- Provide adequate ventilation and combustion air. Provide adequate accessibility clearance for servicing and operating the appliance. Never obstruct the front opening of the appliance.
- If appliance keeps shutting off, have it serviced. Keep burner and control compartment clean.
- Do not allow wind to blow directly into the appliance. Avoid any drafts that alter burner flame patterns.
- Children and adults should be alerted to the hazards of high surface temperature and should stay away to avoid burns or clothing ignition.
- Young children should be carefully supervised when they are in the same area as the appliance. Toddlers, young children and others may be susceptible to accidental contact burns. A physical barrier is recommended if there are at risk individuals in the vicinity of the appliance. To restrict access to an appliance, install an adjustable safety gate to keep toddlers, young children and other at risk individuals away from hot surfaces.
- Clothing or other flammable material should not be placed on or near the appliance.
- Furniture or other objects must be kept a minimum of 4 feet away from the front of the appliance.
- Ensure you have incorporated adequate safety measures to protect infants/toddlers from touching hot surfaces.
- Even after the appliance is off, it will remain hot for an extended period of time.
- Check with your local hearth specialty dealer for safety screens and hearth guards to protect children from hot surfaces. These screens and guards must be fastened to the floor.
- Any safety screen or guard removed for servicing must be replaced prior to operating the appliance.
- It is imperative that the control compartments, burners and circulating blower and its passageway in the appliance and venting system are kept clean. The appliance should be inspected before use and at least annually by a qualified service person. The appliance area must be kept clear and free from combustible materials, gasoline and other flammable vapors and liquids.
- Under no circumstances should this appliance be modified.
- Do not use this appliance if any part has been under water. Immediately call a qualified service technician to inspect the appliance and to replace any part of the control system and any gas control which has been under water.
- Keep the packaging material out of reach of children and dispose of the material in a safe manner. As with all plastic bags, these are not toys and should be kept away from children and infants.
- This appliance must not be installed indoors or within any structure that prevents or inhibits the exhaust gases from dissipating in the outside atmosphere.

3.14A

2.1 DIMENSIONS



2.2 GENERAL INSTRUCTIONS

! WARNING
ALWAYS LIGHT THE PILOT WHETHER FOR THE FIRST TIME OR IF THE GAS SUPPLY HAS RAN OUT, WITH THE GLASS DOOR OPENED OR REMOVED.
NEVER OBSTRUCT THE FRONT OPENING OF THE APPLIANCE.
OBJECTS PLACED IN FRONT OF THE APPLIANCE MUST BE KEPT A MINIMUM OF 48" FROM THE FRONT FACE OF THE APPLIANCE.
FIRE RISK. EXPLOSION HAZARD.
HIGH PRESSURE WILL DAMAGE VALVE. DISCONNECT GAS SUPPLY PIPING BEFORE PRESSURE TESTING GAS LINE AT TEST PRESSURES ABOVE 1/2 PSIG. CLOSE THE MANUAL SHUT-OFF VALVE BEFORE PRESSURE TESTING GAS LINE AT TEST PRESSURES EQUAL TO OR LESS THAN 1/2 PSIG.
USE ONLY WOLF STEEL APPROVED OPTIONAL ACCESSORIES AND REPLACEMENT PARTS WITH THIS APPLIANCE. USING NON-LISTED ACCESSORIES (BLOWERS, DOORS, LOUVRES, TRIMS, GAS COMPONENTS, VENTING COMPONENTS, ETC.) COULD RESULT IN A SAFETY HAZARD AND WILL VOID THE WARRANTY AND CERTIFICATION.
THE APPLIANCE IS ONLY FOR USE WITH THE TYPE OF GAS INDICATED ON THE RATING PLATE. THIS APPLIANCE IS NOT CONVERTIBLE FOR USE WITH OTHER GASES.

THIS GAS APPLIANCE SHOULD BE INSTALLED AND SERVICED BY A QUALIFIED INSTALLER to conform with local codes. Installation practices vary from region to region and it is important to know the specifics that apply to your area, for example in Massachusetts State:

- The appliance off valve must be a “T” handle gas cock.
- The flexible connector must not be longer than 36 inches.

The installation must conform with local codes or, in absence of local codes, the National Gas and Propane Installation Code CSA B149.1 in Canada, or the National Fuel Gas Code, ANSI Z223.1 / NFPA 54 in the United States.



NATIONAL FIREPLACE INSTITUTE
NFI
CERTIFIED
www.nficertified.org

We suggest that our gas hearth products be installed and serviced by professionals who are certified in the U.S. by the National Fireplace Institute® (NFI) as NFI Gas Specialists

4.3A

2.3 GENERAL INFORMATION

FOR YOUR SATISFACTION, THIS APPLIANCE HAS BEEN TEST-FIRED TO ENSURE ITS OPERATION AND QUALITY!

RATES AND EFFICIENCIES		
	NATURAL GAS	PROPANE GAS
Altitude	0 - 4,500*	0 - 4,500*
Maximum Input	6,000	6,000
Minimum Inlet Gas Supply Pressure	4.5" Water Column	11" Water Column
Maximum Inlet Gas Supply Pressure	7" Water Column	13" Water Column
Manifold Pressure Under Flow Conditions	3.5" Water Column	10" Water Column

When the appliance is installed at elevations above 4,500ft, and in the absence of specific recommendations from the local authority having jurisdiction, the certified high altitude input rating shall be reduced at the rate of 4% for each additional 1,000ft.

This appliance is only for use with the type of gas indicated on the rating plate. This appliance is not convertible for use with other gases, unless a certified kit is used.

Expansion / contraction noises during heating up and cooling down cycles are normal and are to be expected.



Purge all gas lines with the glass door of the appliance removed. Ensure that a continuous gas flow is at the burner before replacing the door.

Objects placed in front of the appliance must be kept a minimum of 48" from the front face of the unit.

Use only authorized accessories designed for and listed with the model.

2.4 RATING PLATE INFORMATION

RATING LABEL LOCATION: THE RATING LABEL IS LOCATED UNDER THE CONTROL PANEL AND IS CHAINED TO THE APPLIANCE. DO NOT REMOVE.

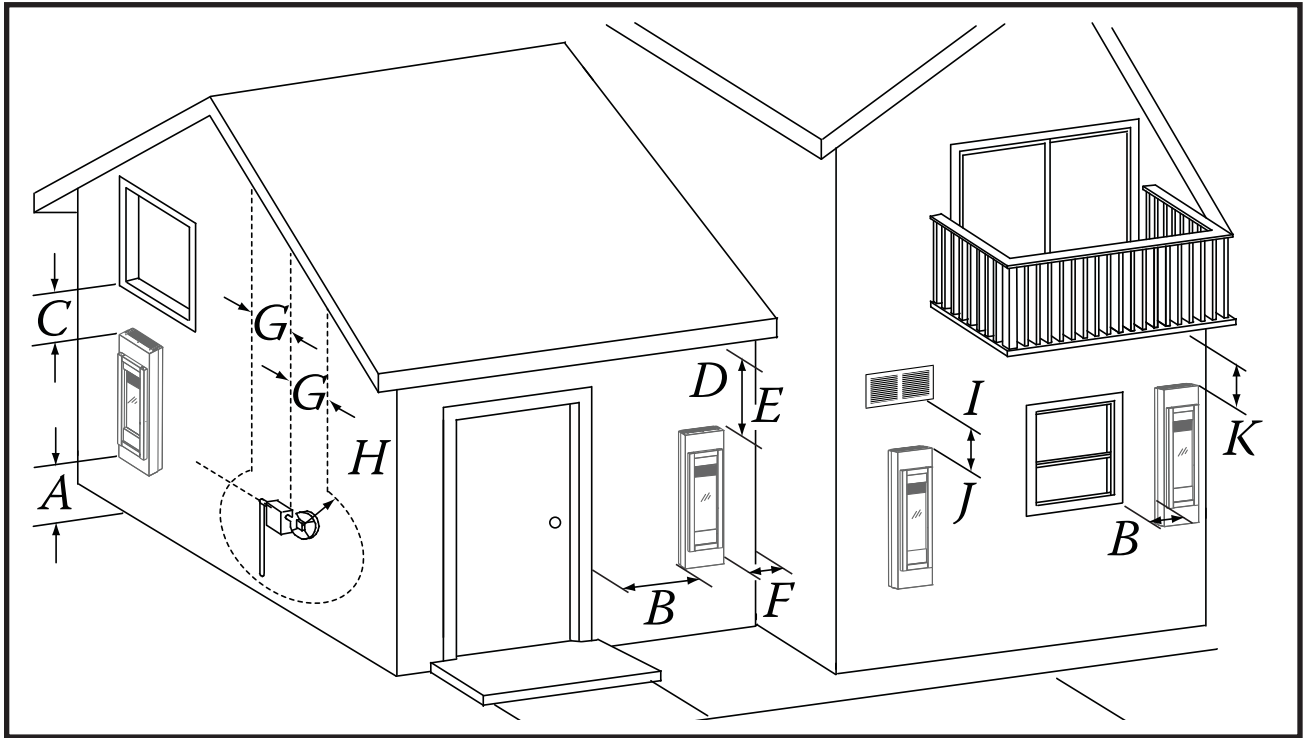
 Intertek <input type="checkbox"/> 9700539 (WSL) <input type="checkbox"/> 4001657 (NGZ) <input type="checkbox"/> 4001658 (NAC) <input type="checkbox"/> 4001659 (WUSA)	CERTIFIED UNDER : CGA CR97-003 (July, 1997) CSA US Req. 4-96, 3rd Ed. OUTDOOR GAS FIREPLACE IF APPLIANCE HAS BEEN SUPPLIED WITH A GAS PRESSURE REGULATOR, IT MUST BE USED. THE GAS SUPPLY MUST BE TURNED OFF AT THE LP-GAS SUPPLY CYLINDER WHEN THIS APPLIANCE IS NOT IN USE. DO NOT STORE OR USE GASOLINE OR OTHER FLAMMABLE VAPORS AND LIQUIDS IN THE VICINITY OF THIS OR ANY OTHER APPLIANCE. IMPROPER INSTALLATION, ADJUSTMENT, ALTERATION, SERVICE OR MAINTENANCE CAN CAUSE INJURY OR PROPERTY DAMAGE. REFER TO THE OWNER'S MANUAL PROVIDED WITH THIS APPLIANCE. FOR ASSISTANCE OR ADDITIONAL INFORMATION, CONSULT A QUALIFIED INSTALLER, SERVICE AGENCY OR GAS SUPPLIER. MUST NOT BE USED FOR COOKING. FOR OUTDOOR USE ONLY. IF STORED INDOORS, DETACH AND LEAVE CYLINDER OUTDOORS.	
	MODEL GSST8N <input type="checkbox"/> (NATURAL GAS) 0-4500FT (0-1370m) 6,000 BTU/h	ALTITUDE INPUT
MANIFOLD PRESSURE: 3.5" WATER COLUMN MINIMUM SUPPLY PRESSURE: 4.5" WATER COLUMN MAXIMUM SUPPLY PRESSURE: 7.0" WATER COLUMN	MANIFOLD PRESSURE: 10" WATER COLUMN MINIMUM SUPPLY PRESSURE: 11" WATER COLUMN MAXIMUM SUPPLY PRESSURE: 13" WATER COLUMN	
WARNING: DO NOT ADD ANY MATERIAL TO THE APPLIANCE, WHICH WILL COME IN CONTACT WITH THE FLAMES, OTHER THAN THAT SUPPLIED BY THE MANUFACTURER WITH THE APPLIANCE.	NOT FOR USE WITH SOLID FUEL. FOR USE WITH GLASS DOOR. CERTIFIED WITH THIS UNIT ONLY.	
MINIMUM CLEARANCES TO COMBUSTIBLE MATERIALS TOP 18" BACK 0" SIDES 1" FLOOR 8"	THIS APPLIANCE IS ONLY FOR USE WITH THE TYPE OF GAS INDICATED ON THE RATING PLATE. THIS APPLIANCE IS NOT CONVERTIBLE FOR USE WITH OTHER GASES, UNLESS A CERTIFIED KIT IS USED.	
TOP, SIDES & BACK AS PER ABOVE. FOR FINISHING MATERIAL, SEE OWNERS MANUAL. ELECTRICAL RATING: 115v 0.82AMP, 60HZ	WOLF STEEL LTD. 24 NAPOLEON ROAD. BARRIE, ONTARIO L4M 0G8 CANADA	
	SERIAL NUMBER: GSST8	W385-0420 / E

This illustration is for reference only. Refer to the rating plate on the appliance for accurate information.

NOTE: The rating plate must remain with the appliance at all time. It must not be removed.

3.0 INSTALLATION

3.1 INSTALLATION CLEARANCES



	INSTALLATIONS		
	CANADA	U.S.A.	
A	8 INCHES	8 INCHES	Clearance above grade, veranda porch, deck or balcony.
B	12 INCHES	9 INCHES	Clearance to windows or doors that open.
C	12 INCHES*	12 INCHES*	Clearance to permanently closed windows.
D	18 INCHES**	18 INCHES**	Vertical clearance to ventilated soffit.
E	12 INCHES**	12 INCHES**	Vertical clearance to an unventilated soffit.
F	1 INCH	1 INCH	Clearance to an inside combustible corner wall or protruding combustible obstructions. (vent chase, etc.)
G	3 FEET	3 FEET***	Clearance to each side of the centre line extended above the metre/regulator assembly to a maximum vertical distance of 15 ft.
H	3 FEET	3 FEET***	Clearance to a service regulator vent outlet.
I	12 INCHES	9 INCHES	Clearance to a non-mechanical air supply inlet to the building or a combustion air inlet to any other appliance.
J	6 FEET	3 FEET****	Clearance to a mechanical air supply inlet.
K	12 INCHES	12 INCHES***	Clearance under a veranda, porch, deck or balcony.

* Recommended to prevent condensation on windows and thermal breakage.
 ** It is recommended to use a heat shield and to maximize the distance to vinyl clad soffits.
 *** This is a recommended distance. For additional requirements check local codes.
 **** Three feet above if within 10 feet horizontally.

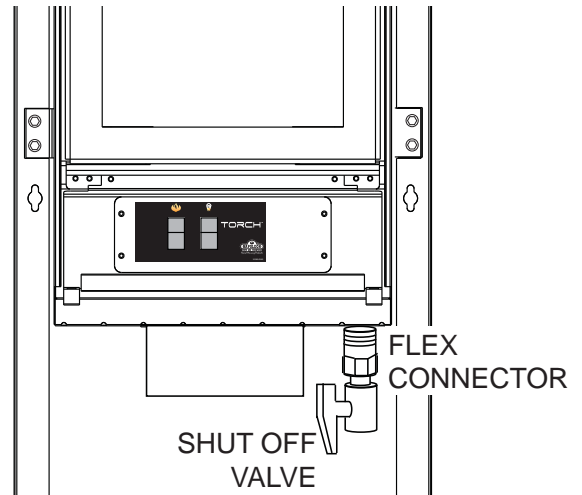
3.2 GAS INSTALLATION

! WARNING

ALL GAS CONNECTIONS MUST BE CONTAINED WITHIN THE APPLIANCE WHEN COMPLETE.

DO NOT USE OPEN FLAME.

- A. The appliance is designed to accept a 1/2" gas supply line. The appliance is equipped with a 1/2" manual shut-off valve.
- B. The access to the gas inlet is located in the bottom of the cabinet.
- C. The shut off valve / flex connector assembly must always be contained within the cabinet.
- D. When flexing any gas line, support the gas valve so that the lines are not kinked.
- E. Check for gas leaks by brushing on a soap and water solution.



3.3 COMBUSTION AND VENTILATION AIR

! WARNING

ENSURE THE AREA HAS ADEQUATE VENTILATION.

This appliance is intended for installation on an outdoor patio or in your yard. It must never be installed inside the warm air envelope of your structure.

It is highly recommended that this appliance be installed in a "sheltered" area. Direct wind will cause an erratic flame and possible pilot or main burner outage. An erratic flame could also lead to excessive carboning (black soot), this condition is not a safety issue but is visually undesirable.

Typical installation may include covered patio, screened porch, gazebo, or on an outside wall of a house.

4.0 FRAMING

! WARNING

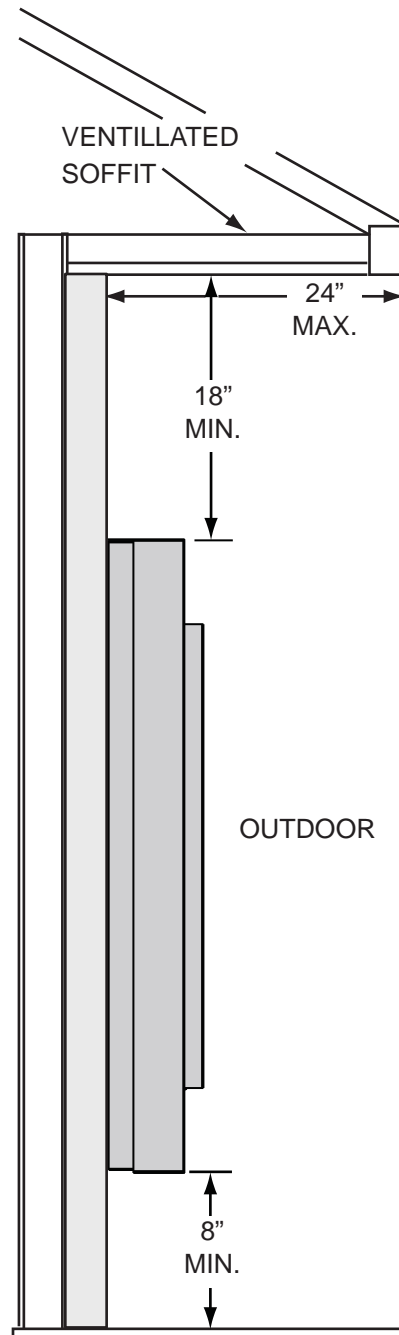
YOUR APPLIANCE IS DESIGNED FOR OUTDOOR APPLICATION ONLY. THE APPLIANCE MUST BE INSTALLED IN THE CABINET PROVIDED. THE CABINET IS DESIGNED TO BE INSTALLED ON FINISHED SURFACES.

THE CABINET MAY BE INSTALLED DIRECTLY ONTO A COMBUSTIBLE SURFACE.

4.1 CLEARANCES TO COMBUSTIBLES

MINIMUM CLEARANCES TO COMBUSTIBLES:

- 18" to top
- 1" to sides
- 8" to bottom
- 0" to rear



5.0 FINISHING

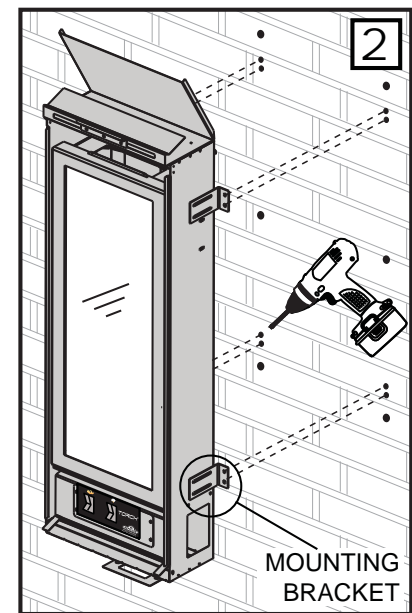
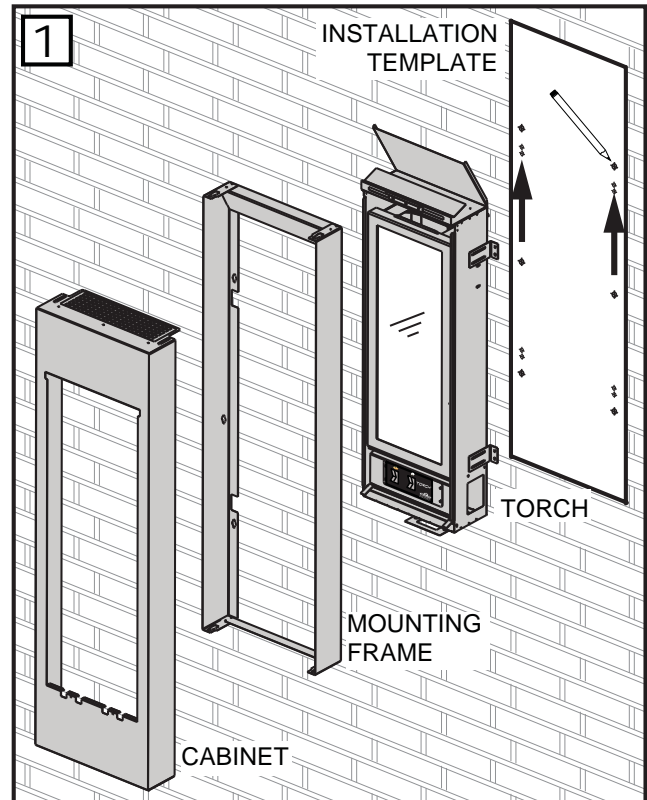
5.1 TMCSS MOUNTING CABINET INSTALLATION

! WARNING

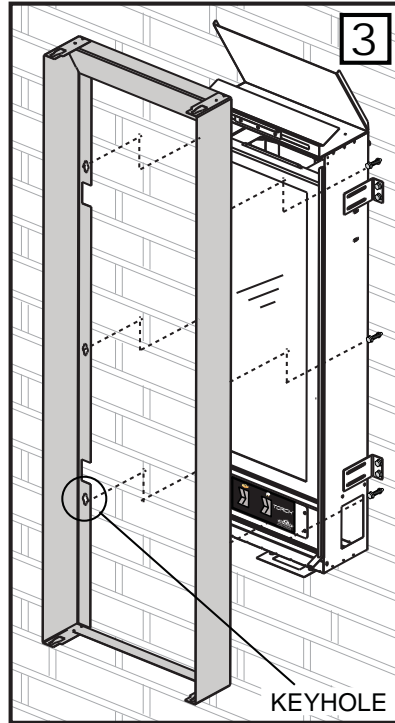
BEFORE STARTING THE INSTALLATION, REMOVE THE PROTECTIVE LAYER FROM ALL THREE COMPONENTS THAT MAKE UP THE GSST8 (CABINET, FRAME AND TORCH).

NOTE: It is recommended that all fasteners be stainless steel.

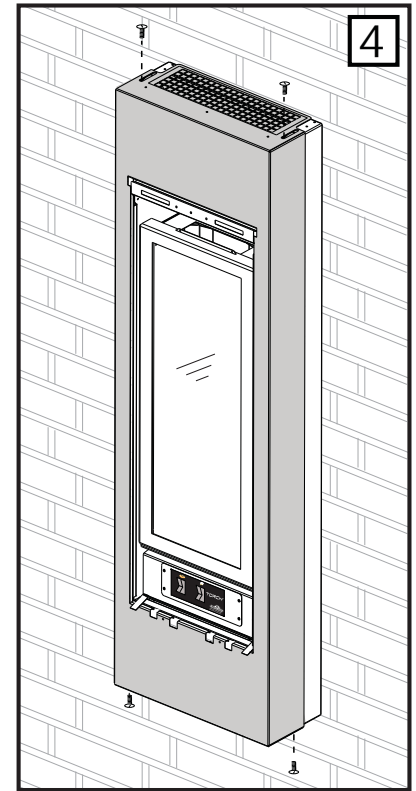
- A. Using the installation template (W122-0401) supplied, determine the best mounting location for your new Torch. (Refer to your manual for clearances) Mark all 14 hole centres on the wall (surface) using the template.
- B. Remove the template. Depending on the surface and fasteners, drill the appropriate holes. Hold the Torch up, aligning the mounting brackets to the mounting holes. Secure the Torch to the wall using the appropriate fasteners. **NOTE: The Torch has been designed to have a 1/2" clearance between the rear outer panel and the mounting surface.**



- C. Start the fasteners into each of the six remaining mounting holes. Align the keyholes of the frame to the heads of the fasteners and slide the frame down onto the fasteners. Ensure the frame is plumb and level before tightening the fasteners. **NOTE: It is recommended that the gas and electrical be connected to the appliance at this stage. Both must enter the appliance at the opening created between the bottom of the Torch and the bottom of the mounting frame.**

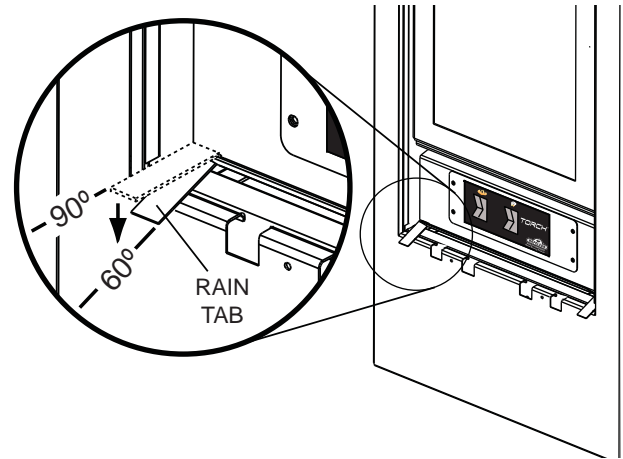


- D. Slide the front of the cabinet over the mounting frame, ensuring the “mesh” is to the top. Start each of the four screws (supplied) through the slots. Once the cabinet has been adjusted for depth the four screws can be tightened.



5.2 RAIN TABS

When shipped, the rain tabs should be at a 90° angle. Push the rain tabs down until they are at an approximate 60° angle to assist rain in running off and out of the unit.



5.3 DOOR REMOVAL

! WARNING

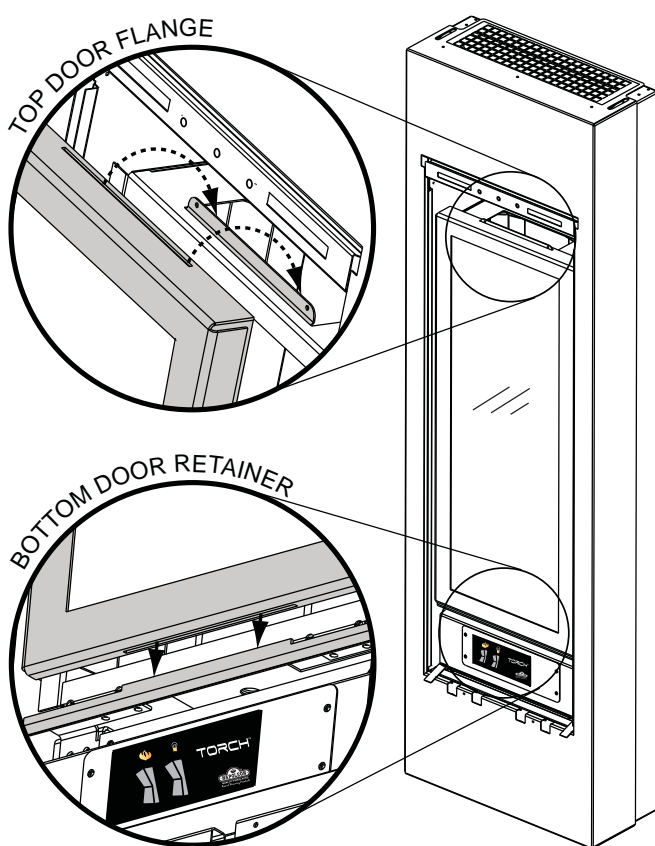
GLASS MAY BE HOT, DO NOT TOUCH GLASS UNTIL COOLED.

THE DOOR LATCHES ARE PART OF A SAFETY SYSTEM AND MUST BE PROPERLY ENGAGED. DO NOT OPERATE THE APPLIANCE WITH LATCHES DISENGAGED.

FACING AND/OR FINISHING MATERIALS MUST NOT INTERFERE WITH AIR FLOW THROUGH AIR OPENINGS, LOUVRES OPENINGS, OPERATION OF LOUVRES OR DOORS OR ACCESS FOR SERVICE. OBSERVE ALL CLEARANCES WHEN APPLYING COMBUSTIBLE MATERIALS.

BEFORE DOOR IS REMOVED TURN THE APPLIANCE OFF AND WAIT UNTIL APPLIANCE IS COOL TO THE TOUCH. DOORS ARE HEAVY AND FRAGILE SO HANDLE WITH CARE.

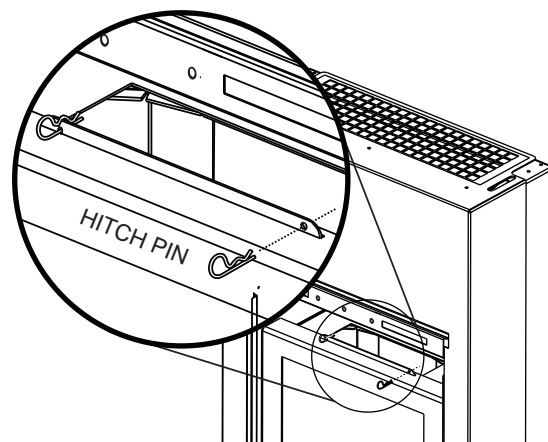
75.1



The door is held in place at the bottom by a retainer tab that inserts into a slot in the bottom edge of the door, and at the top with a tab that secures in the same fashion. The door is removed by lifting it off the tabs. When replacing, guide the door over the upper tab first, then over the lower tab.

SECURING THE DOOR IN PLACE

When shipped, the door is secured with two hitch pins along the top edge, replacing them is optional. To secure the door in place use the supplied hitch pins as illustrated.



5.4 GLASS MEDIA INSTALLATION

! WARNING

CLEAN THE GLASS MEDIA PRIOR TO INSTALLATION. BEFORE APPLYING THE CLEANED GLASS, ENSURE THAT IT IS DRY.

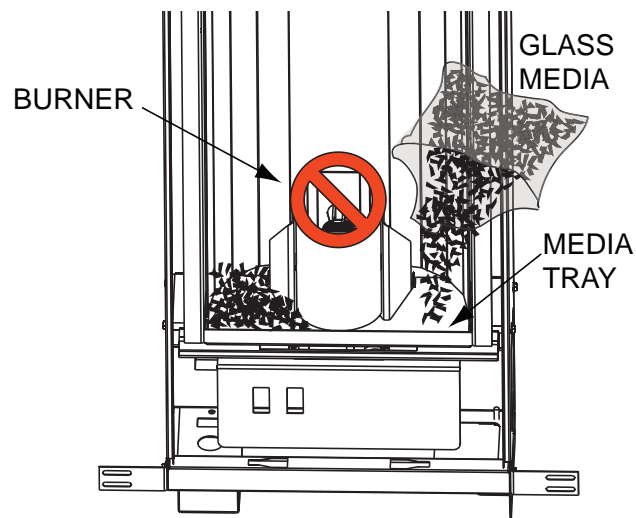
DO NOT CHANGE OR SUBSTITUTE THE GLASS MEDIA MATERIAL PROVIDED WITH THIS APPLIANCE. IF REPLACING, USE ONLY THE REPLACEMENT GLASS MEDIA AVAILABLE FROM YOUR AUTHORIZED DEALER / DISTRIBUTOR.

Evenly spread the glass media onto the media tray, ensuring no glass media falls into the pilot opening. If this happens, insert a clean bag into your vacuum cleaner and vacuum out the glass media. Replacement glass can be purchased from your local authorized dealer / distributor.

CLEANING GLASS MEDIA

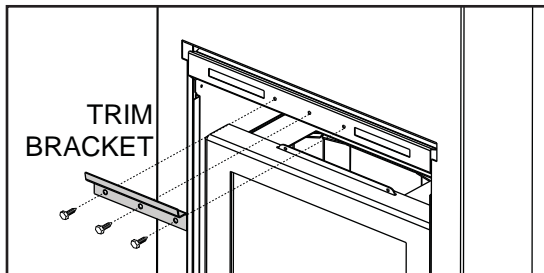
Glass media may have a fine oil residue that needs to be cleaned prior to installation. Clean the glass with mild dish soap, drain, rinse thoroughly and dry before placing around the burner.

74.2A



5.5 TFSSO FRAME INSTALLATION

- A. Hang the frame onto the firebox by engaging the top trim bracket into the slot in the top of the frame and the bottom hooks of the frame into the slot in the mounting cabinet.

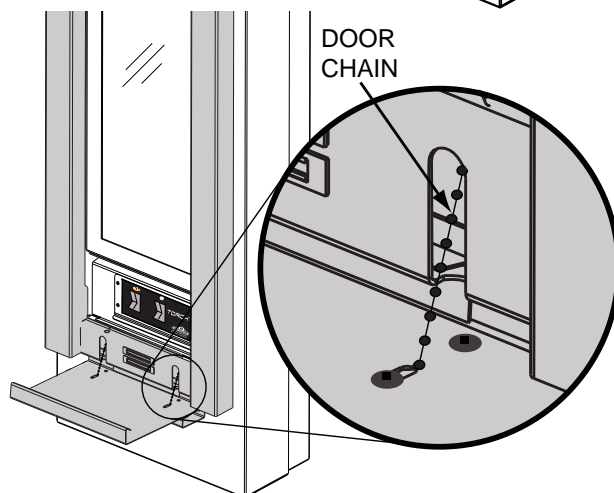
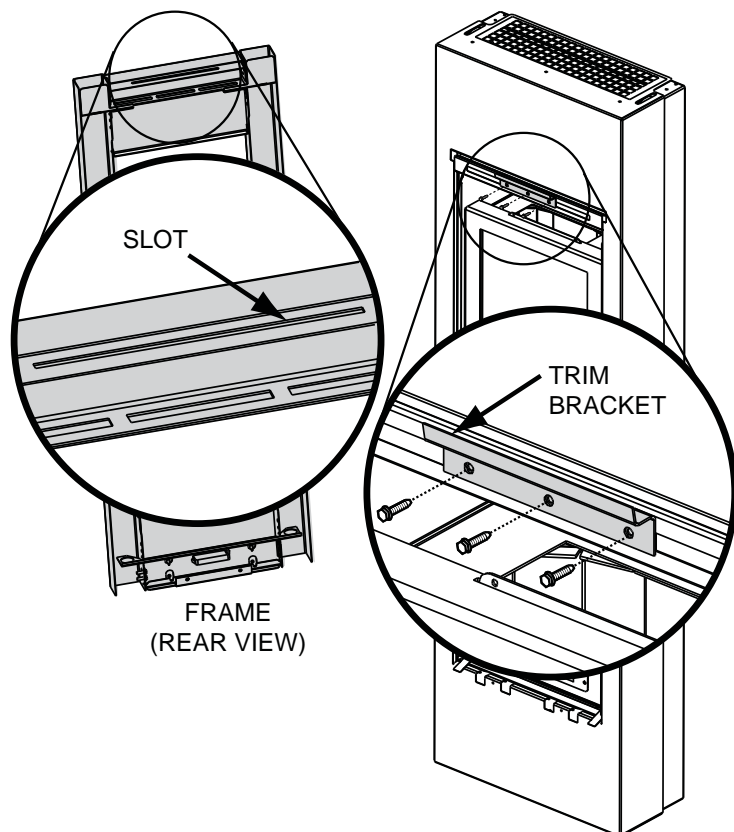


- B. Install the trim bracket supplied in your manual baggie to the firebox using 3 screws.

NOTE: If the frame needs to be secured, use two screws in the holes provided behind the control door.

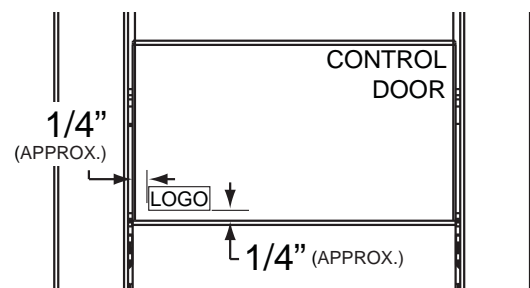
Insert the door stop chain into the receiving slot in the control door. Then insert the door chain into the receiving slot in the frame so that when fully opened the control door has a clearance of 1/8" to the mounting cabinet.

NOTE: In most cases a count of 15 balls on the chain between receiving slots will be sufficient.



5.6 LOGO PLACEMENT

With the control door closed, affix the logo to the front face of the control door at the bottom left corner.

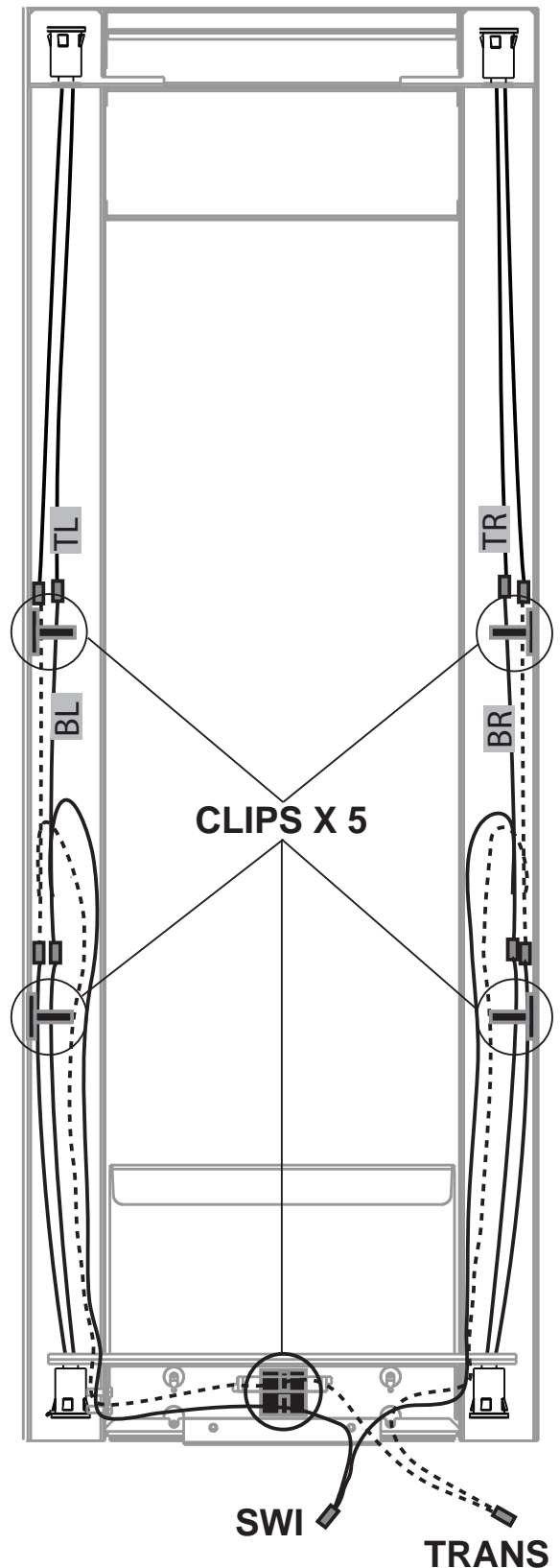


5.7 LK8 LIGHT INSTALLATION (OPTIONAL)

- A. Turn off the electrical and gas supply to the appliance.
- B. Remove the frame from the unit by removing the 2 stainless steel hex head securing screws from the bottom and lifting the frame off of the top trim bracket.
- C. Lay the frame down on its front, being careful not to scratch the finish.
- D. Starting at the top of the frame, take one light assembly and carefully snap it into place in the hole provided. Repeat for each of the light assemblies. The wires on the top 2 light assemblies will need to be fed in behind the heat shields.

NOTE: When installing the light kit be careful not to scratch your fingers on any of the exposed screws in the frame.

- E. Connect the light assemblies to the appropriate flags on the wire harness. The wire harness is labeled (TR) top right, (BR) bottom right (TL) Top left and (BL) bottom left.
- F. Secure the wires into the clips at both sides and the bottom of the frame. Use the extra clips provided to retain any loose wires.
- G. Re-attach frame onto unit.
- H. Open the control panel door, leave the wires connected to the ON/OFF switch and place the transformer into the bottom of the unit. Plug the transformer into the receptacle.
- I. Attach one of the wire leads from the transformer to the lead on the wire harness labeled "TRANS", and the other to the ON/OFF switch. Attach the last lead on the wire harness labeled "SWI" to the ON/OFF switch.
- J. Close the control panel door.
- K. Turn on the gas supply and electrical power.



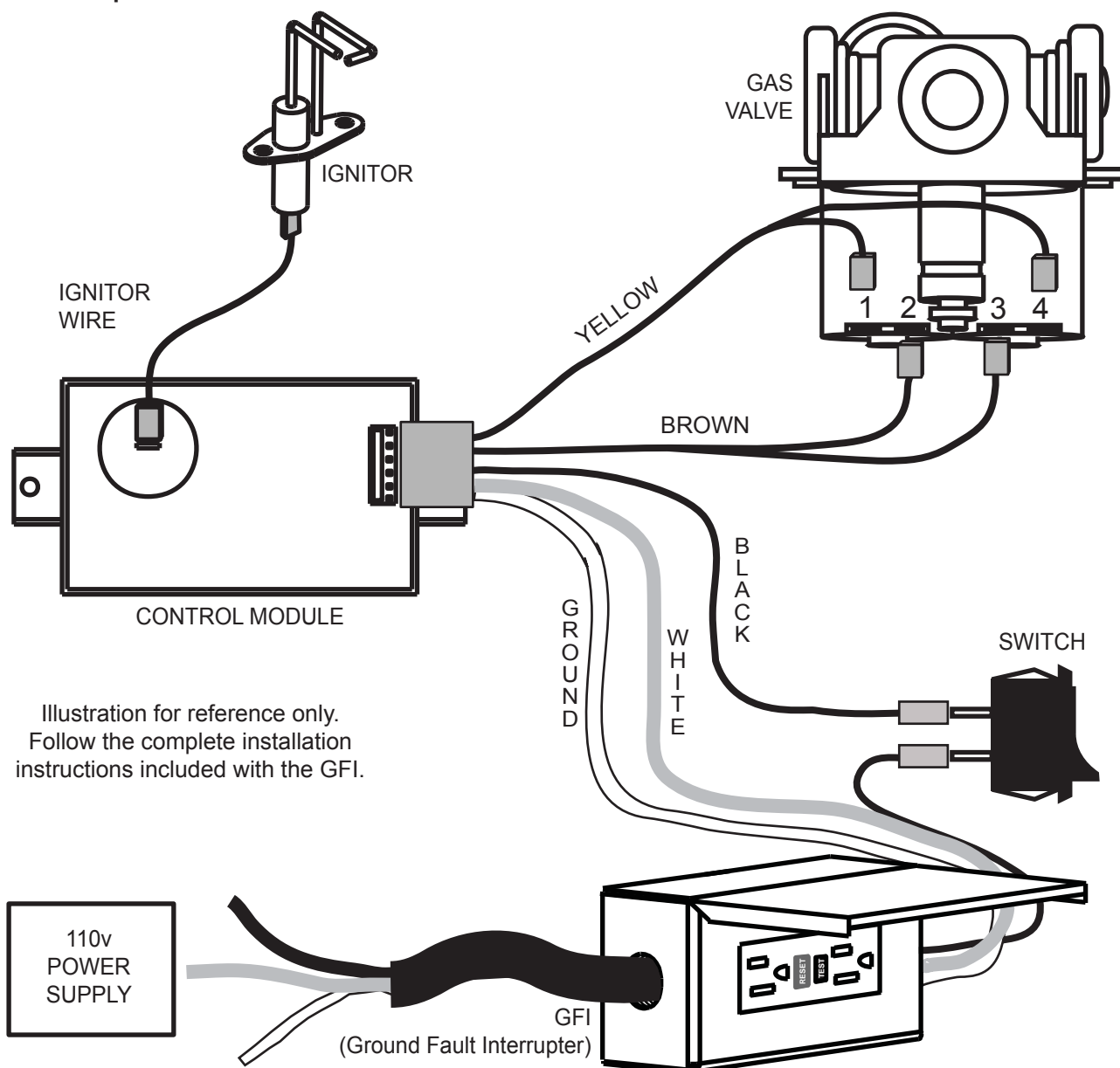
6.0 ELECTRICAL INFORMATION

⚠ WARNING
RISK OF ELECTRIC SHOCK!
CONTROL AND VALVE OPERATE WITH 110V.
DO NOT USE THIS APPLIANCE IF ANY PART HAS BEEN UNDER WATER. CALL A QUALIFIED SERVICE TECHNICIAN IMMEDIATELY TO HAVE THE APPLIANCE INSPECTED FOR DAMAGE TO THE ELECTRICAL CIRCUIT.

It is necessary to hard wire this appliance.

This appliance must be electrically connected and grounded in accordance with local codes. In the absence of local codes, use the current CSA C22.1 Canadian Electrical Code in Canada or the ANSI/NFPA 70-1996 national electrical code in the United States.

NOTE: During assembly, anti-oxidant compound was applied to all electrical connections. If replacing the existing wire harness or disconnecting any connectors, it is highly recommended to re-apply anti-oxidant compound to the relative connections.



7.0 OPERATION

! WARNING

IF YOU DO NOT FOLLOW THESE INSTRUCTIONS EXACTLY, A FIRE OR EXPLOSION MAY RESULT CAUSING PROPERTY DAMAGE, PERSONAL INJURY OR LOSS OF LIFE.

Ensure that a continuous gas flow is at the burner before installing the door. When lit for the first time, the fireplace will emit an odor for a few hours. This is a normal temporary condition caused by the “burn-in” of paints and lubricants used in the manufacturing process and will not occur again. After extended periods of non-operation such as following a vacation or a warm weather season, the fireplace may emit a slight odor for a few hours. This is caused by dust particles in the heat exchanger burning off. In both cases, open a window to sufficiently ventilate the room.

FOR YOUR SAFETY READ BEFORE LIGHTING:

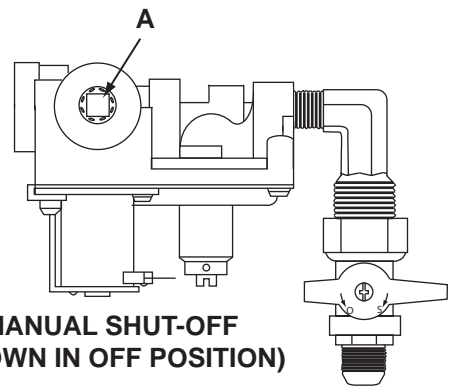
- A. This fireplace is equipped with an ignition device which automatically lights the pilot. Do not try to light by hand.
- B. Before operating smell all around the fireplace area for gas and next to the floor because some gas is heavier than air and will settle on the floor.
- C. Do not use this fireplace if any part has been under water. Immediately call a qualified service technician to inspect the fireplace and replace any part of the control system and any gas control which has been under water.

WHAT TO DO IF YOU SMELL GAS:

- Turn off all gas to the fireplace.
- Open windows.
- Do not try to light any appliance.
- Do not touch any electric switch; do not use any phone in your building.
- Immediately call your gas supplier from a neighbour’s phone. Follow the gas supplier’s instructions.
- If you cannot reach your gas supplier, call the fire department.

LIGHTING INSTRUCTIONS:

1. Stop! Read the above safety information on this label.
2. Turn off all electrical power to the fireplace.
3. This fireplace is equipped with an ignition device which automatically lights the pilot. Do not try to light the pilot by hand.
4. Open the glass door.
5. Wait five (5) minutes to clear out any gas. If you smell gas including near the floor, STOP! Follow “B” in the above safety information on this label. If you don’t smell gas go to the next step.
6. Close the glass door.
7. Turn on all electric power to the fireplace and re-install batteries into the transmitter.
8. Turn the fireplace switch to the ON position.
9. If fireplace will not operate, follow instructions “To Turn Off Gas” and call your service technician or gas supplier.



**MANUAL SHUT-OFF
(SHOWN IN OFF POSITION)**

TO TURN OFF GAS:

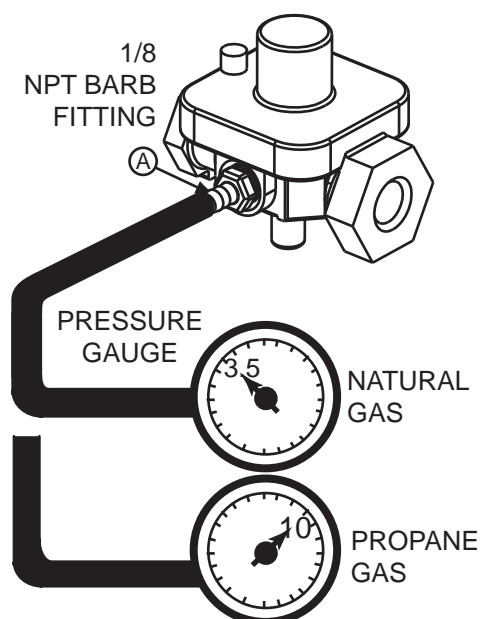
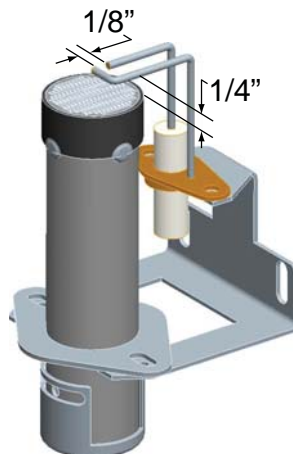
1. Turn the fireplace switch to the OFF position.
2. Turn off all electrical power to the fireplace if service is to be performed.
3. Turn manual shut-off valve clockwise to off. Do not force.

8.0 ADJUSTMENTS

8.1 GAS PRESSURE ADJUSTMENT

Outlet pressure can be adjusted if not measuring 3.5" W.C. (NG) or 10.0" W.C. (LP).

- A. Pressure can be checked by removing cap (A) using a 3/16 Allen key and replacing it with a 1/8 NPT barb fitting.
- B. Place pressure gauge tube over the fitting.
- C. Pressure can be adjusted by removing cap (B) using a flat screwdriver, and adjusting the nylon plug with the same screw driver. Turning the plug in (clockwise) will increase the pressure.



8.2 VENTURI ADJUSTMENT

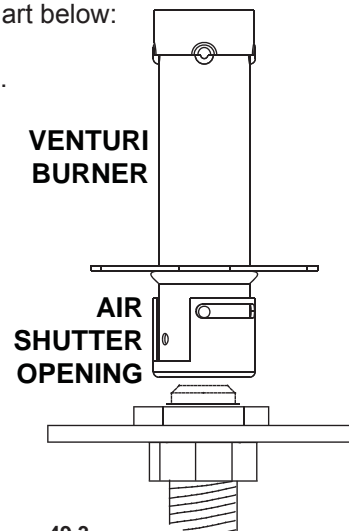
This model has an air shutter that has been factory set open according to the chart below:

Closing the air shutter will cause a more yellow flame, but can lead to carboning. Opening the air shutter will cause a more blue flame, but can cause flame lifting from the burner ports. The flame may not appear yellow immediately; allow 15 to 30 minutes for the final flame color to be established.

AIR SHUTTER ADJUSTMENT MUST ONLY BE DONE BY A QUALIFIED INSTALLER!

NOTE: It is important that the venturi sits down tight on the orifice.

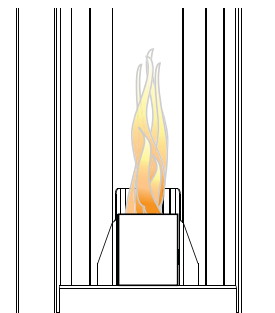
AIR SHUTTER OPENINGS	
LP	3/16" DIA
NG	1/16" DIA



49.3

8.3 FLAME CHARACTERISTICS

It is important to periodically perform a visual check of the burner flame. Compare them to the illustration provided.



9.0 MAINTENANCE

! WARNING
TURN OFF THE GAS AND ELECTRICAL POWER BEFORE SERVICING THE APPLIANCE.
APPLIANCE MAY BE HOT, DO NOT SERVICE UNTIL APPLIANCE HAS COOLED.
DO NOT USE ABRASIVE CLEANERS.

CAUTION: Label all wires prior to disconnection when servicing controls. Wiring errors can cause improper and dangerous operation. Verify proper operation after servicing. This appliance and its venting system should be inspected before use and at least annually by a qualified service person. The appliance area must be kept clear and free of combustible materials, gasoline or other flammable vapors and liquids. The flow of combustion and ventilation air must not be obstructed.

- A. In order to properly clean the burner and pilot assembly, remove the logs, rocks and/or glass to expose both assemblies.
- B. Keep the control compartment, media, burner, air shutter opening and the area surrounding the logs clean by vacuuming or brushing, at least once a year.
- C. Check to see that all burner ports are burning. Clean out any of the ports which may not be burning or are not burning properly.
- D. Check to see that the pilot flame is large enough to engulf the flame sensor and/or thermocouple / thermopile as well as reaches the burner.
- E. Replace the cleaned logs, rocks or glass. Failure to properly position the media may cause carboning which can be distributed in the surrounding living area.
- F. Check to see that the main burner ignites completely on all openings when turned on. A 5 to 10 second total light-up period is satisfactory. If ignition takes longer, consult your local authorized dealer / distributor.
- G. Check that the gasketing on the sides, top and bottom of the door is not broken or missing. Replace if necessary.
- H. If for any reason the vent air intake system is disassembled, re-install and re-seal per the instructions provided for the initial installation.

 40.1

- Visually inspect the appliance for carbon buildup.
- Using a small whisk or brush, brush off the excess carbon and vacuum up or sweep into the garbage.
- Check the fireplace for corrosion of the main burner base.

9.1 CARE OF GLASS

DO NOT CLEAN GLASS WHEN HOT! DO NOT USE ABRASIVE CLEANERS TO CLEAN GLASS.

Buff lightly with a clean dry soft cloth. Clean both sides of the glass after the first 10 hours of operation with a recommended fireplace glass cleaner. Thereafter clean as required. If the glass is not kept clean permanent discoloration and / or blemishes may result.

! WARNING	
	<p>HOT GLASS WILL CAUSE BURNS.</p> <p>DO NOT TOUCH GLASS UNTIL COOLED.</p> <p>NEVER ALLOW CHILDREN TO TOUCH GLASS.</p>

 5.1

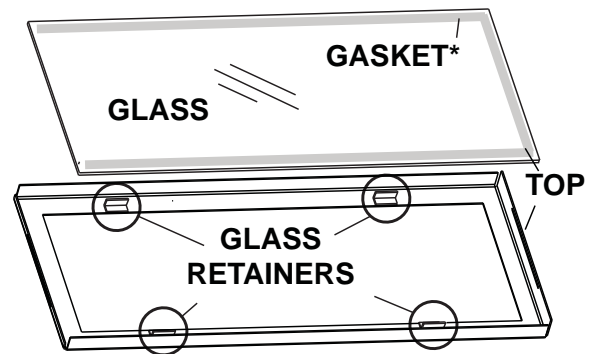
9.2 DOOR GLASS REPLACEMENT

! WARNING
DO NOT USE SUBSTITUTE MATERIALS.
GLASS MAY BE HOT, DO NOT TOUCH GLASS UNTIL COOLED.
CARE MUST BE TAKEN WHEN REMOVING AND DISPOSING OF ANY BROKEN DOOR GLASS OR DAMAGED COMPONENTS. BE SURE TO VACUUM UP ANY BROKEN GLASS FROM INSIDE THE APPLIANCE BEFORE OPERATION.
DO NOT STRIKE, SLAM OR SCRATCH GLASS. DO NOT OPERATE APPLIANCE WITH GLASS REMOVED, CRACKED, BROKEN OR SCRATCHED.

56.2

Having removed the door, lay on a smooth flat surface, face down. There are 4 glass retainers that need to be bent away from the glass to release it from the frame. Do not pry on the glass.

When replacing **DO NOT SUBSTITUTE MATERIAL**, replace the gasket (W562-0008) and the glass (W300-0110). Set new glass into the frame and gently bend tabs into the gasket to secure.



*** When installing the door glass ensure that the gasketed end is placed into the top of the door frame.**

9.3 CARE OF STAINLESS STEEL

Stainless steel tends to oxidize or stain in the presence of chlorides and sulfides, particularly in coastal areas and other harsh environments, such as the warm, highly humid atmosphere around pools and hot tubs. These stains could be perceived as rust, but can be easily removed or prevented. To provide stain prevention and removal, wash all stainless steel surfaces every 3-4 weeks or as often as required with fresh water and/or stainless steel cleaner.

CLEANING THE STAINLESS STEEL SURFACE:

Do not use abrasive cleaners or steel wool on the stainless steel parts. Doing so will scratch the finish. Surfaces should be cleaned with warm soapy water while the metal is still warm to the touch. To clean stainless surfaces, use a stainless steel or non-abrasive cleaner. Always wipe in the direction of the grain. Over time, stainless steel parts discolour when heated, usually to a golden or brown hue. This discolouration is normal and does not affect the performance of the appliance.

81.1

10.0 REPLACEMENTS

Contact your dealer or the factory for questions concerning prices and policies on replacement parts. Normally all parts can be ordered through your Authorized dealer / distributor.

FOR WARRANTY REPLACEMENT PARTS, A PHOTOCOPY OF THE ORIGINAL INVOICE WILL BE REQUIRED TO HONOUR THE CLAIM.

When ordering replacement parts always give the following information:

- Model & Serial Number of appliance
- Installation date of appliance
- Part number
- Description of part
- Finish

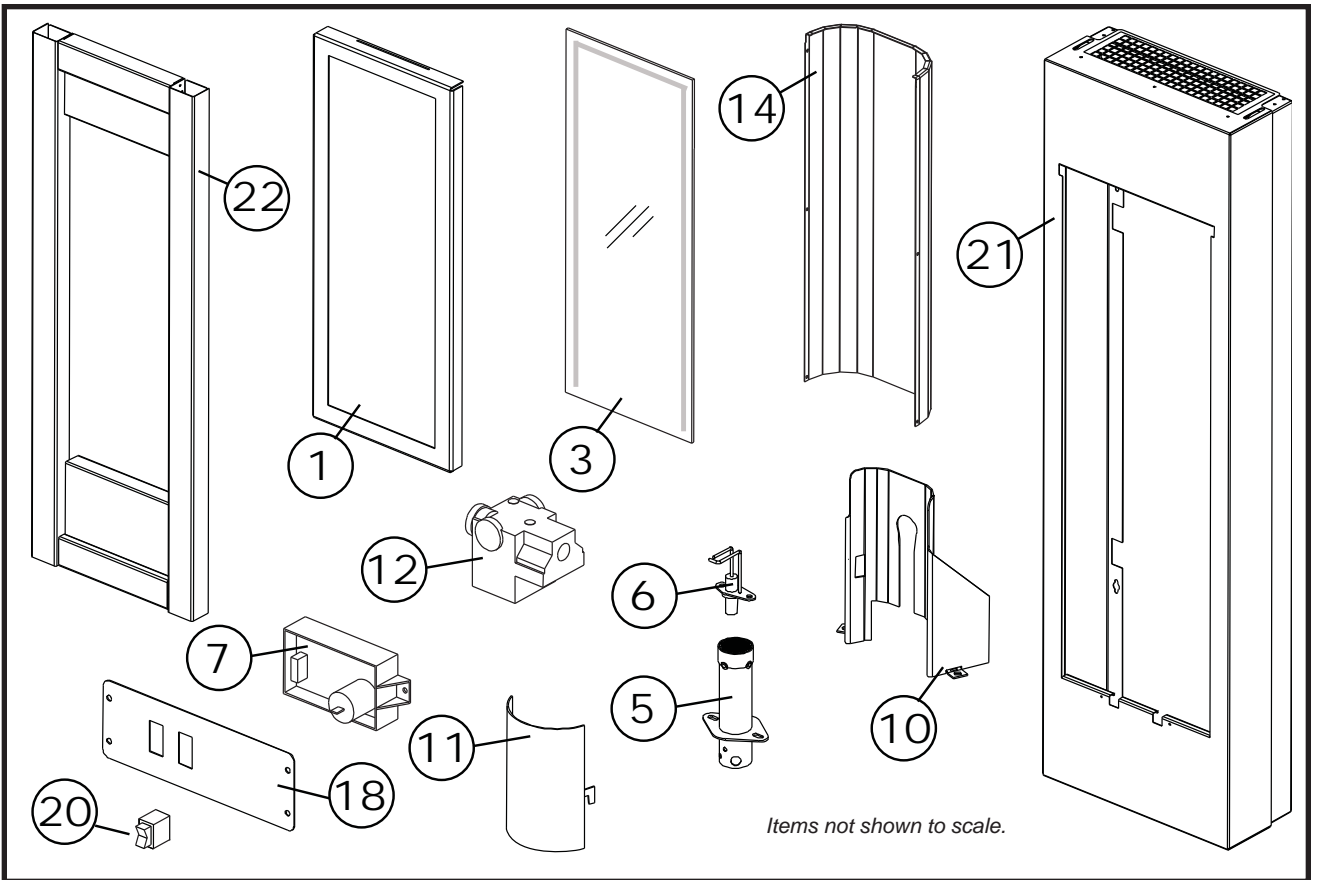
*** IDENTIFIES ITEMS WHICH ARE NOT ILLUSTRATED. FOR FURTHER INFORMATION, CONTACT YOUR AUTHORIZED DEALER.**

WARNING

FAILURE TO POSITION THE PARTS IN ACCORDANCE WITH THIS MANUAL OR FAILURE TO USE ONLY PARTS SPECIFICALLY APPROVED WITH THIS APPLIANCE MAY RESULT IN PROPERTY DAMAGE OR PERSONAL INJURY.

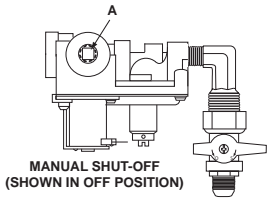
41.1

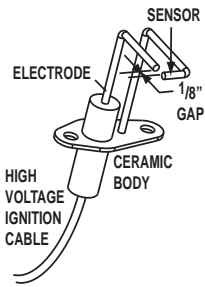
COMPONENTS		
REF NO.	PART NO.	DESCRIPTION
1	W225-0223	DOOR FRAME
2*	W562-0008	DOOR GASKET
3	W010-1959	GLASS C/W GASKET
4*	W300-0110	GLASS
5	W100-0111	BURNER
6	W357-0006	IGNITOR
7	W190-0026	CONTROL, MODULE
8*	W750-0202	WIRE HARNESS
9*	W750-0184	IGNITION CABLE
10	W200-0263	IGNITOR COVER
11	W200-0262	BURNER COVER
12	W725-0052	NATURAL GAS VALVE - 3.5" W.C.
12	W725-0053	PROPANE GAS VALVE - 10.0" W.C.
13*	W455-0085	NATURAL GAS ORIFICE
13*	W455-0086	PROPANE GAS ORIFICE
14	W475-0590	BACK PANEL
15*	W300-0108	ACCENT GLASS (BLACK)
16*	W562-0046	ROPE GASKET, BACK PANEL
17*	W385-0334	NAPOLEON® LOGO
18	W475-0595	CONTROL PANEL
19*	W385-0380	CONTROL PANEL LABEL
20*	W660-0082	OUTDOOR ON/OFF SWITCH
ACCESSORIES		
REF NO.	PART NO.	DESCRIPTION
21	TMCSS	MOUNTING CABINET
22	TFSSO	FRAME KIT
23*	LK8	LIGHT KIT
24*	W573-0002	HIGH TEMPERATURE SEALANT
25*	W573-0007	HIGH TEMPERATURE SEALANT
26*	W175-0270	CONVERSION KIT - NG TO LP
27*	W175-0274	CONVERSION KIT - LP TO NG



11.0 TROUBLESHOOTING

! WARNING
ALWAYS LIGHT THE PILOT WHETHER FOR THE FIRST TIME OR IF THE GAS SUPPLY HAS RAN OUT, WITH THE GLASS DOOR OPEN OR REMOVED.
TURN OFF THE GAS AND ELECTRICAL POWER BEFORE SERVICING THE APPLIANCE.
APPLIANCE MAY BE HOT, DO NOT SERVICE UNTIL APPLIANCE HAS COOLED.
DO NOT USE ABRASIVE CLEANERS.

SYMPTOM	PROBLEM	TEST SOLUTION
Electrode sparks, burner ignites, electrode continues to spark for complete 7 seconds, burner shuts down.	Hot and neutral wires are reversed at control module. Sensor / flame not connecting	<ul style="list-style-type: none"> - Connect the hot wire to the black wire. Connect the neutral wire to the white wire. - Raise electrode / sensor up into flame.
Flame length consistently too large or too small. Carboning occurs.	Unit is over-fired or under-fired. <div style="text-align: center;">  </div>	<ul style="list-style-type: none"> - Check pressure readings - Outlet pressure can be checked by removing cap (A) and replacing it with a 1/8" NPT barb fitting. Next, place pressure gauge tubing over the fitting. Gauge should read 3.5" W.C. for natural gas or 10.0" W.C. for propane. AFTER TAKING PRESSURE READINGS, BE SURE TO REPLACE CAP TO RESEAL. DO NOT OVER-TORQUE. - Leak test with a soap and water solution.
Carbon is being deposited on glass, logs or combustion chamber surfaces.	Air shutter has become blocked. Flame is impinging on the combustion chamber.	<ul style="list-style-type: none"> - Ensure air shutter opening is free of lint or other obstructions. - Open air shutter to increase the primary air. - Check the input rate: check the manifold pressure and orifice size as specified by the rating plate values. - Check that the door gasketing is not broken or missing and that the seal is tight.
White / grey film forms.	Sulphur from fuel is being deposited on glass, logs or combustion chamber surfaces.	<ul style="list-style-type: none"> - Clean the glass with a gas fireplace glass cleaner. DO NOT CLEAN GLASS WHEN HOT. If deposits are not cleaned off regularly, the glass may become permanently marked.
No gas to the main burner; switch is on.	Switch is defective. Burner orifice is blocked. Control valve faulty. Faulty valve.	<ul style="list-style-type: none"> - Connect a jumper wire across the wall switch terminals; if main burner lights, replace switch / thermostat. - Remove stoppage in orifice. - Replace. - Replace.

SYMPTOM	PROBLEM	TEST SOLUTION
Burner will not light, ignitor sparks.	No gas at the burner.	- Check that the manual valve is turned on. - Replace the valve.
	Out of propane gas.	- Fill the tank.
Ignitor will not spark.	No spark at ignitor.	- Check the power source. (ie. fuse, circuit breaker)
		- Check that the wire is connected to both the ignitor and the control module.
		- Check that the spark is not jumping to ignitor cover. - Replace the wire if the wire insulation is broken or frayed. - Replace the electrode if the ceramic insulator is cracked or broken.
	Spark gap is incorrect.	- Spark gap should be 0.125" (1/8" approx.) from the electrode tip to the sensor tip.
	Remote wall switch is in "OFF" position; burner comes on.	Wall switch is mounted upside down. Remote wall switch is grounding. Remote wall switch wire is grounding. Faulty wire.

42.22_2

12.0 WARRANTY

NAPOLEON® gas appliances are manufactured under the strict Standard of the world recognized ISO 9001 : 2008 Quality Assurance Certificate.

NAPOLEON® products are designed with superior components and materials, assembled by trained craftsmen who take great pride in their work. The burner and valve assembly are leak and test-fired at a quality test station. Once assembled the complete appliance is thoroughly inspected by a qualified technician before packaging to ensure that you, the customer, receives the quality product that you expect from NAPOLEON®.

NAPOLEON® GAS APPLIANCE 5 YEAR LIMITED WARRANTY

All stainless steel components of your new NAPOLEON® gas appliance are warranted against defects for five years.

All parts such as gas valves, logs, gasketing are covered and NAPOLEON® will provide replacement parts free of charge during the first year of the limited warranty.*

Labour related to warranty repair is covered free of charge during the first year. Repair work, however, requires the prior approval of an authorized company official. Labour costs to the account of NAPOLEON® are based on a predetermined rate schedule and any repair work must be done through an authorized NAPOLEON® dealer.

* Construction of models vary. Warranty applies only to components included with your specific appliance.

CONDITIONS AND LIMITATIONS

NAPOLEON® warrants its products against manufacturing defects to the original purchaser only. Registering your warranty is not necessary. Simply provide your proof of purchase along with the model and serial number to make a warranty claim. NAPOLEON® reserves the right to have its representative inspect any product or part thereof prior to honouring any warranty claim. Provided that the purchase was made through an authorized NAPOLEON® dealer your appliance is subject to the following conditions and limitations:

Warranty coverage begins on the date of original installation.

This limited warranty applies only while the unit remains at the site of original installation, and only if the unit is installed in Canada or the United States.

This factory warranty is nontransferable and may not be extended whatsoever by any of our representatives.

Installation must be done in accordance with the installation instructions included with the product and all local and national building and fire codes.

This limited warranty does not cover damages caused by misuse, lack of maintenance, accident, alterations, abuse or neglect and parts installed from other manufacturers will nullify this warranty.

This limited warranty further does not cover any scratches, dents, corrosion or discolouring caused by excessive heat, abrasive and chemical cleaners, mechanical breakage of logs and embers.

In the first year only, this warranty extends to the repair or replacement of warranted parts which are defective in material or workmanship provided that the product has been operated in accordance with the operation instructions and under normal conditions.

After the first year, with respect to this Limited Warranty, NAPOLEON® may, at its discretion, fully discharge all obligations with respect to this warranty by refunding to the original warranted purchaser the wholesale price of any warranted but defective part(s).

After the first year, NAPOLEON® will not be responsible for installation, labour or any other costs or expenses related to the reinstallation of a warranted part, and such expenses are not covered by this warranty.

Notwithstanding any provisions contained in this Limited Warranty, NAPOLEON'S responsibility under this warranty is defined as above and it shall not in any event extend to any incidental, consequential or indirect damages.

This warranty defines the obligations and liability of NAPOLEON® with respect to the NAPOLEON® gas appliance and any other warranties expressed or implied with respect to this product, its components or accessories are excluded.

This limited warranty does not cover damages resulting from the use of components not supplied with the appliance, or the use of fuel other than those specified.

Any damages to appliance due to weather, long periods of dampness, condensation, damaging chemicals or cleaners will not be the responsibility of NAPOLEON®.

The bill of sale or copy will be required together with a serial number and a model number when making any warranty claims from your authorized dealer. The warranty registration card must be returned within fourteen days to register the warranty.

NAPOLEON® reserves the right to have its representative inspect any product or part thereof prior to honouring any warranty claim.

All parts replaced under the Limited warranty policy are subject to a single claim.

All parts replaced under the warranty will be covered for a period of 90 days from the date of their installation.

The manufacturer may require that defective parts or products be returned or that digital pictures be provided to support the claim. Returned products are to be shipped prepaid to the manufacturer for investigation. If a product is found to be defective, the manufacturer will repair or replace such defect.

Before shipping your appliance or defective components, your dealer must obtain an authorization number. Any merchandise shipped without authorization will be refused and returned to sender.

Shipping costs are not covered under this warranty.

Additional service fees may apply if you are seeking warranty service from a dealer.

Labour, travel, diagnostic tests, shipping and other related charges are not covered by this warranty.

ALL SPECIFICATIONS AND DESIGNS ARE SUBJECT TO CHANGE WITHOUT PRIOR NOTICE DUE TO ON-GOING PRODUCT IMPROVEMENTS.
NAPOLEON® IS A REGISTERED TRADEMARK OF WOLF STEEL LTD.

2.9B



Other products available from your
Authorized Napoleon® Fireplace Dealer...



Patio Heaters



Fireplace Mantels



HVAC Products



Electric Fireplaces



Outdoor Living Products



Fireplace Accessories

Contact your Authorized Napoleon® dealer or visit napoleonfireplaces.com for more information.

INSTALLATEUR : LAISSEZ CE MANUEL AVEC L'APPAREIL.
PROPRIÉTAIRE : CONSERVEZ CE MANUEL POUR CONSULTATION ULTÉRIEURE.
NE LAISSEZ PAS LES ENFANTS OU AUTRES INDIVIDUS À RISQUE SEULS À PROXIMITÉ DE L'APPAREIL.



INSTRUCTIONS D'INSTALLATION ET D'OPÉRATION

HOMOLOGUÉ SELON LES NORMES NATIONALES CANADIENNES ET AMÉRICAINES : CR97-003 • CAN-2.21-M85 • IAS US. 4-96

GSST8N

GAZ NATUREL

GSST8P

PROPANE

CERTIFIÉ POUR LE CANADA ET LES ÉTATS-UNIS SELON LES MÉTHODES ANSI/CSA.

CONSIGNES DE SÉCURITÉ

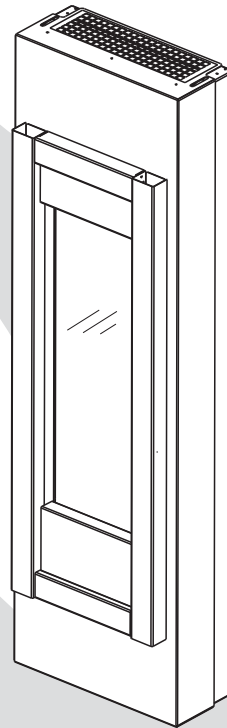
AVERTISSEMENT

Si ces instructions ne sont pas suivies à la lettre, un incendie ou une explosion pourraient s'ensuivre, causant des dommages matériels, des blessures corporelles ou des pertes de vie.

- N'entreposez pas et n'utilisez pas d'essence ou autres liquides et vapeurs inflammables à proximité de cet appareil ou tout autre appareil.
- QUE FAIRE SI VOUS DÉTECTEZ UNE ODEUR DE GAZ :
 - N'allumez aucun appareil.
 - Ne touchez à aucun interrupteur électrique; n'utilisez aucun téléphone dans votre immeuble.
 - Appelez immédiatement votre fournisseur de gaz d'un téléphone voisin. Suivez ses instructions.
 - Si vous ne pouvez pas rejoindre votre fournisseur de gaz, appelez le service des incendies.
- L'installation et l'entretien doivent être faits par un installateur qualifié, une agence d'entretien ou le fournisseur.

Cet appareil doit être utilisé uniquement avec le type de gaz indiqué sur la plaque signalétique. Cet appareil ne peut être converti à d'autres gaz, sauf si une trousse de conversion est utilisée.

APPOSEZ L'ÉTIQUETTE DU NUMÉRO DE SÉRIE DU CARTON



**AVERTISSEMENT : POUR UTILISATION
EXTÉRIEURE SEULEMENT**

AVERTISSEMENT

LA VITRE CHAUDE CAUSERA
DES BRÛLURES.

NE PAS TOUCHER LA VITRE
AVANT QU'ELLE AIT REFROIDI.

NE JAMAIS LAISSER LES
ENFANTS TOUCHER LA VITRE.



Wolf Steel Ltd., 24 Napoleon Rd., Barrie, ON, L4M 0G8 Canada /
103 Miller Drive, Crittenden, Kentucky, USA, 41030

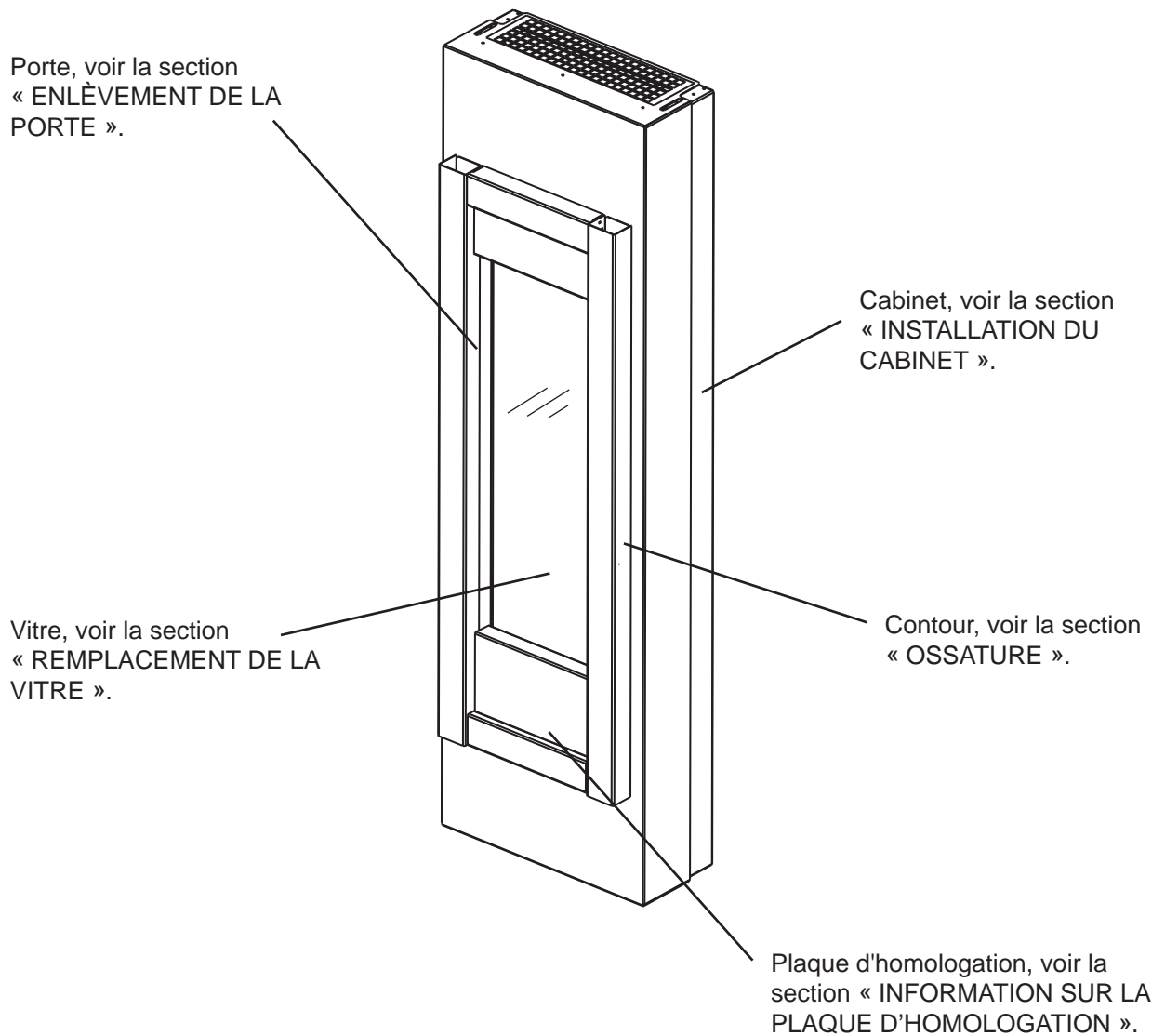
Téléphone 705-721-1212 • Télécopieur 705-722-6031 • www.napoleonfoyers.com • ask@napoleon.on.ca

TABLE DES MATIÈRES

1.0	VUE D'ENSEMBLE DE L'INSTALLATION	3
2.0	INTRODUCTION	4
	2.1 DIMENSIONS	5
	2.2 INSTRUCTIONS GÉNÉRALES	5
	2.3 INFORMATION GÉNÉRALE	6
	2.4 INFORMATION À PROPOS DE LA PLAQUE D'HOMOLOGATION	7
3.0	INSTALLATION	8
	3.1 EMPLACEMENTS ET DÉGAGEMENTS MINIMAUX	8
	3.2 BRANCHEMENT DU GAZ	9
	3.3 AIR COMBURANT ET DE VENTILATION	9
4.0	OSSATURE	10
	4.1 DÉGAGEMENTS AUX MATÉRIAUX COMBUSTIBLES	10
5.0	FINITIONS	11
	5.1 INSTALLATION DU CABINET TMCSS	11
	5.2 LANGUETTES D'ÉGOUTTEMENT	12
	5.3 ENLÈVEMENT DE LA PORTE	13
	5.4 INSTALLATION DES BRAISES EN VERRE	14
	5.5 INSTALLATION DU CONTOUR TFSSO	15
	5.6 MISE EN PLACE DU LOGO	15
	5.7 INSTALLATION DU SYSTÈME D'ÉCLAIRAGE LK8 (OPTIONNEL)	16
6.0	BRANCHEMENT ÉLECTRIQUE	17
7.0	FONCTIONNEMENT	18
8.0	RÉGLAGES	19
	8.1 RÉGLAGE DE LA PRESSION DU GAZ	19
	8.2 VENTURI ADJUSTMENT	19
	8.3 CARACTÉRISTIQUES DE LA FLAMME	19
9.0	ENTRETIEN	20
	9.1 SOINS DE LA VITRE	20
	9.2 REMPLACEMENT DE LA VITRE DE PORTE	21
	9.3 SOINS DE L'ACIER INOXYDABLE	21
10.0	RECHANGES	22
11.0	GUIDE DE DÉPANNAGE	24
12.0	GARANTIE	26
13.0	HISTORIQUE D'ENTRETIEN	27

NOTE : Les changements autres que de nature éditoriale sont dénotés par une ligne verticale dans la marge.

1.0 VUE D'ENSEMBLE DE L'INSTALLATION



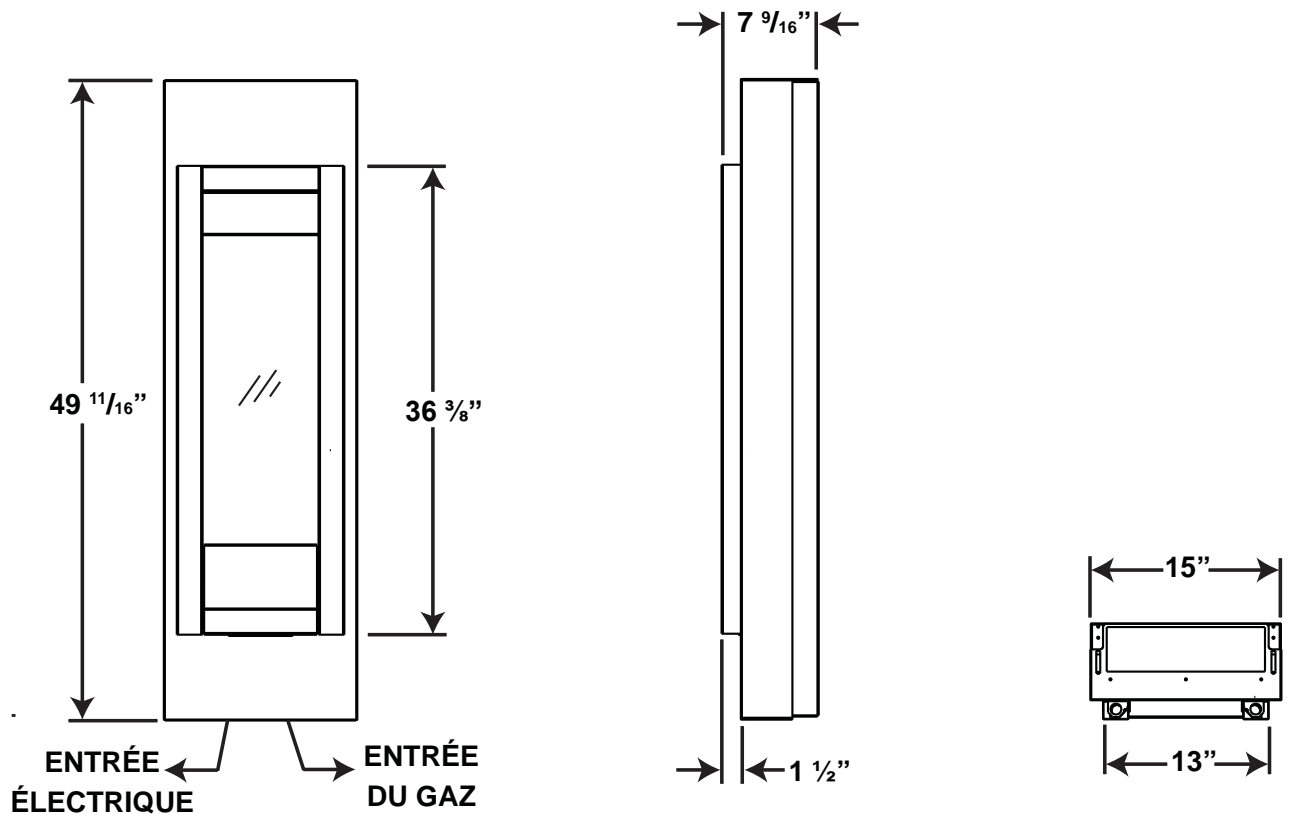
⚠ AVERTISSEMENT: Ce produit peut vous exposer à des substances chimiques incluant le plomb et les composés de plomb qui, selon l'État de Californie, causeraient le cancer, et des substances chimiques incluant le monoxyde de carbone qui, selon d'État de Californie, causeraient des malformations congénitales ou autres dangers pour la reproduction. Pour de plus amples renseignements, visitez le www.P65Warnings.ca.gov.

! AVERTISSEMENT

- **CET APPAREIL EST CHAUD LORSQU'IL FONCTIONNE ET PEUT CAUSER DE GRAVES BRÛLURES EN CAS DE CONTACT.**
- Ne faites pas fonctionner l'appareil avant d'avoir lu et compris les instructions d'opération. Omettre d'utiliser l'appareil selon les instructions d'opération pourrait causer un incendie ou des blessures.
- Toute modification apportée à cet appareil ou aux contrôles peut être dangereux et est interdit.
- Risque de brûlures. L'appareil doit être éteint et refroidi avant d'effectuer un entretien.
- N'installez pas de composants endommagés ou incomplets ni des composants substitués.
- Risque de coupures et d'éraflures. Portez des gants protecteurs et des lunettes de sécurité lors de l'installation. Les bordures des pièces de métal peuvent être coupantes.
- Ne brûlez pas de bois ou autres matériaux dans cet appareil.
- Assurez-vous d'une quantité suffisante d'air de combustion et de ventilation. Prévoyez un accès suffisant pour entretenir et opérer l'appareil. N'obstruez jamais l'ouverture sur le devant de l'appareil.
- Si l'appareil s'éteint de façon répétitive, faites-le inspecter. Gardez le brûleur et le compartiment de contrôle propres.
- Ne laissez pas le vent souffler directement dans l'appareil. Évitez les courants d'air qui modifient l'apparence de la flamme.
- Les enfants et les adultes devraient être informés des dangers que posent les températures de surface élevées et se tenir à distance afin d'éviter des brûlures ou que leurs vêtements ne s'enflamment.
- Les jeunes enfants doivent être supervisés attentivement lorsqu'ils sont dans la même pièce que l'appareil. Les jeunes enfants et autres personnes sont sujets aux brûlures accidentelles. Une barrière de protection est recommandée s'il y a des personnes à risque à proximité de l'appareil. Afin de restreindre l'accès à l'appareil, installez une barrière de protection ajustable pour garder les jeunes enfants ou autres personnes à risque loin des surfaces chaudes.
- Les vêtements et autres matériaux combustibles ne doivent pas être posés sur l'appareil ou à proximité.
- Les meubles ou autres objets doivent être gardés à une distance d'au moins 4 pieds du devant de l'appareil.
- Assurez-vous de disposer de mesures de sécurité adéquates pour empêcher les jeunes enfants de toucher aux surfaces chaudes.
- Même une fois que l'appareil est éteint, le pare-étincelles demeurera chaud pendant un temps prolongé.
- Consultez votre détaillant local de foyer pour connaître les grillages de sécurité et les écrans offerts pour protéger les enfants des surfaces chaudes. Ces grillages de sécurité et ces écrans doivent être fixés au plancher.
- Les grillages de sécurité ou écrans enlevés pour faire l'entretien devront être remis en place avant d'utiliser l'appareil.
- Il est primordial de garder propres les compartiments de contrôle, les brûleurs, la soufflerie, les bouches d'air de l'appareil ainsi que le système d'évacuation. L'appareil doit être inspecté avant la première utilisation et au moins une fois l'an par un spécialiste en entretien. L'emplacement de l'appareil doit être gardé libre de tous matériaux combustibles, essence ou autres liquides et vapeurs inflammables.
- Cet appareil ne devra être modifié en aucun cas.
- N'utilisez pas cet appareil si une partie quelconque a été submergée. Contactez immédiatement un technicien de service qualifié pour inspecter l'appareil et pour remplacer toute pièce du système de contrôle et du contrôle du gaz qui aurait été submergée.
- Les matériaux d'emballage doivent être gardés hors de la portée des enfants et mis au rebut de façon sécuritaire. Comme tous les emballages de plastique, ceux-ci ne sont pas des jouets et doivent demeurer hors de la portée des enfants et des bébés.
- Cet appareil ne doit pas être installé à l'intérieur ni dans une structure qui empêche la dissipation des gaz de combustion dans l'environnement extérieur.

3.14A

2.1 DIMENSIONS



2.2 INSTRUCTIONS GÉNÉRALES

! AVERTISSEMENT

ALLUMEZ TOUJOURS LA VEILLEUSE, QUE CE SOIT POUR LA PREMIÈRE FOIS OU LORSQUE L'APPROVISIONNEMENT EN GAZ EST ÉPUISÉ, AVEC LA PORTE VITRÉE OUVERTE OU RETIRÉE.

N'OBSTRUEZ JAMAIS L'OUVERTURE DE L'APPAREIL.

LES OBJETS PLACÉS DEVANT L'APPAREIL DOIVENT ÊTRE GARDÉS À UNE DISTANCE D'AU MOINS 48" DE LA FACE VITRÉE DE L'APPAREIL.

RISQUE D'INCENDIE OU D'EXPLOSION.

LES PRESSIONS ÉLEVÉES ENDOMMAGERONT LA SOUPAPE. L'ALIMENTATION EN GAZ DOIT ÊTRE DÉBRANCHÉE PENDANT LES ESSAIS DE PRESSION DE CE SYSTÈME LORSQUE LES PRESSIONS D'ESSAI EXCÈDENT $\frac{1}{2}$ LB/PO² (3,5 KPA). FERMEZ LA SOUPAPE D'ARRÊT MANUELLE PENDANT TOUT ESSAI DE PRESSION DU SYSTÈME D'ALIMENTATION EN GAZ LORSQUE LA PRESSION EST DE $\frac{1}{2}$ LB/PO² (3,5 KPA) OU MOINS.

N'UTILISEZ QUE LES ACCESSOIRES OPTIONNELS ET LES PIÈCES DE RECHANGE APPROUVÉS PAR WOLF STEEL POUR CET APPAREIL. L'UTILISATION D'ACCESSOIRES NON LISTÉS (SOUFFLERIE, PORTES, PER-SIENNES, MOULURES, COMPOSANTS DE GAZ, COMPOSANTS D'ÉVACUATION, ETC.) POURRAIT ÊTRE NON SÉCURITAIRE ET ANNULERA LA GARANTIE ET LA CERTIFICATION.

CET APPAREIL NE DOIT FONCTIONNER QU'AVEC LE TYPE DE GAZ SPÉCIFIÉ SUR LA PLAQUE D'HOMOLOGATION. CET APPAREIL NE PEUT ÊTRE CONVERTI À UN AUTRE TYPE DE GAZ.

CE FOYER AU GAZ DEVRAIT ÊTRE INSTALLÉ ET ENTRETENU PAR UN INSTALLATEUR QUALIFIÉ en se conformant aux codes locaux. Les pratiques d'installation peuvent varier d'une région à l'autre. Il est donc important de connaître les normes spécifiques qui s'appliquent à votre région. Par exemple dans l'état du Massachusetts :

- La soupape d'arrêt doit être un robinet à gaz avec une poignée en T.
- Le raccord flexible ne doit pas mesurer plus que 36 pouces.

L'installation doit se conformer aux codes locaux. En l'absence de codes locaux, l'installation doit être conforme au Code d'installation du gaz naturel et du propane CSA B149.1 au Canada ou le National Fuel Gas Code, ANSI Z223.1 / INFPA 54 aux États-Unis.

**NATIONAL
FIREPLACE
INSTITUTE**



CERTIFIED

www.nficertified.org

Nous suggérons que nos appareils au gaz soient installés et que l'entretien soit effectué par des professionnels certifiés par le National Fireplace Institute® (NFI) comme spécialiste du gaz NFI.

4.3A

2.3 INFORMATION GÉNÉRALE

POUR VOTRE SATISFACTION, CE FOYER A ÉTÉ MIS À L'ESSAI POUR CONFIRMER SON FONCTIONNEMENT ET SA QUALITÉ!

RENDEMENT ET EFFICACITÉ		
	GAZ NATUREL	PROPANE
Altitude	0 - 4 500*	0 - 4 500*
Débit maximum	6 000	6 000
Pression d'arrivée minimale	4,5" de colonne d'eau	11" de colonne d'eau
Pression d'arrivée maximale	7" de colonne d'eau	13" de colonne d'eau
Pression du collecteur lorsque le gaz circule	3,5" de colonne d'eau	10" de colonne d'eau

Lorsque l'appareil est installé à des élévations dépassant 4500 pieds, et en l'absence de recommandations spécifiques de l'autorité compétente locale, l'indice certifié du débit à haute altitude devra être réduit au taux de 4 % pour chaque 1 000 pieds supplémentaires.

Cet appareil ne doit fonctionner qu'avec le gaz spécifié sur la plaque d'homologation. Cet appareil ne peut être converti à un autre type de gaz à moins d'utiliser un ensemble de conversion certifié.

Les bruits causés par l'expansion et la contraction lors des cycles de chauffage et de refroidissement sont tout à fait normaux et il faut s'y attendre.



Purgez toutes les conduites de gaz avec la porte vitrée retirée. Assurez-vous que l'arrivée de gaz au brûleur est continue avant de réinstaller la porte.

Les objets placés devant l'appareil doivent être gardés à une distance d'au moins 48" de la face vitrée de l'appareil.

N'utilisez que des accessoires homologués et conçus pour votre modèle d'appareil.

2.4 INFORMATION À PROPOS DE LA PLAQUE D'HOMOLOGATION

EMPLACEMENT DE LA PLAQUE D'HOMOLOGATION : LA PLAQUE EST SITUÉE SOUS LE PANNEAU DE CONTRÔLE ET FIXÉE PAR UNE CHÂÎNETTE À L'APPAREIL. NE PAS ENLEVER.

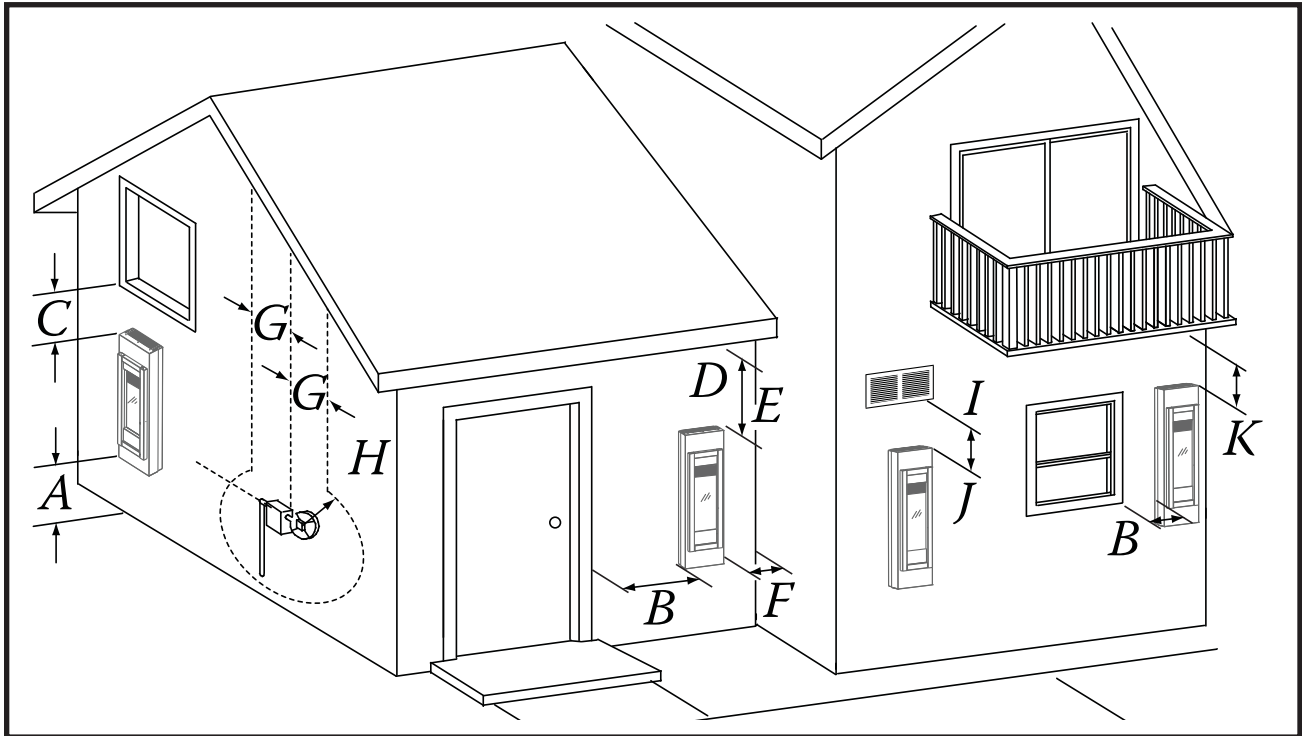
 Intertek <input type="checkbox"/> 9700539 (WSL) <input type="checkbox"/> 4001657 (NGZ) <input type="checkbox"/> 4001658 (NAC) <input type="checkbox"/> 4001659 (WUSA)	CERTIFIED UNDER : CGA CR97-003 (July, 1997) CSA US Req. 4-96, 3rd Ed. OUTDOOR GAS FIREPLACE IF APPLIANCE HAS BEEN SUPPLIED WITH A GAS PRESSURE REGULATOR, IT MUST BE USED. THE GAS SUPPLY MUST BE TURNED OFF AT THE LP-GAS SUPPLY CYLINDER WHEN THIS APPLIANCE IS NOT IN USE. DO NOT STORE OR USE GASOLINE OR OTHER FLAMMABLE VAPORS AND LIQUIDS IN THE VICINITY OF THIS OR ANY OTHER APPLIANCE. IMPROPER INSTALLATION, ADJUSTMENT, ALTERATION, SERVICE OR MAINTENANCE CAN CAUSE INJURY OR PROPERTY DAMAGE. REFER TO THE OWNER'S MANUAL PROVIDED WITH THIS APPLIANCE. FOR ASSISTANCE OR ADDITIONAL INFORMATION, CONSULT A QUALIFIED INSTALLER, SERVICE AGENCY OR GAS SUPPLIER. MUST NOT BE USED FOR COOKING. FOR OUTDOOR USE ONLY. IF STORED INDOORS, DETACH AND LEAVE CYLINDER OUTDOORS.	
	MODEL GSST8N <input type="checkbox"/> (NATURAL GAS) 0-4500FT (0-1370m) 6,000 BTU/h	ALTITUDE INPUT
MANIFOLD PRESSURE: 3.5" WATER COLUMN MINIMUM SUPPLY PRESSURE: 4.5" WATER COLUMN MAXIMUM SUPPLY PRESSURE: 7.0" WATER COLUMN	MANIFOLD PRESSURE: 10" WATER COLUMN MINIMUM SUPPLY PRESSURE: 11" WATER COLUMN MAXIMUM SUPPLY PRESSURE: 13" WATER COLUMN	
WARNING: DO NOT ADD ANY MATERIAL TO THE APPLIANCE, WHICH WILL COME IN CONTACT WITH THE FLAMES, OTHER THAN THAT SUPPLIED BY THE MANUFACTURER WITH THE APPLIANCE.	NOT FOR USE WITH SOLID FUEL. FOR USE WITH GLASS DOOR. CERTIFIED WITH THIS UNIT ONLY.	
MINIMUM CLEARANCES TO COMBUSTIBLE MATERIALS TOP 18" BACK 0" SIDES 1" FLOOR 8"	THIS APPLIANCE IS ONLY FOR USE WITH THE TYPE OF GAS INDICATED ON THE RATING PLATE. THIS APPLIANCE IS NOT CONVERTIBLE FOR USE WITH OTHER GASES, UNLESS A CERTIFIED KIT IS USED.	
TOP, SIDES & BACK AS PER ABOVE. FOR FINISHING MATERIAL, SEE OWNERS MANUAL. ELECTRICAL RATING: 115V 0.82AMP, 60HZ	WOLF STEEL LTD. 24 NAPOLEON ROAD, BARRIE, ONTARIO L4M 0G8 CANADA	
	SERIAL NUMBER: GSST8	W385-0420 / E

Cette illustration est à titre de référence seulement. Consultez la plaque d'homologation pour obtenir l'information précise.

NOTE: La plaque d'homologation doivent rester avec l'appareil toujours. Il ne doit pas être enlevé.

3.0 INSTALLATION

3.1 EMBLEMES ET DÉGAGEMENTS MINIMAUX



	INSTALLATIONS		
	CANADA	É.-U.	
A	8 POUCES	8 POUCES	Dégagement au-dessus du sol, d'une véranda, d'une terrasse en bois ou d'un balcon.
B	12 POUCES	9 POUCES	Dégagement des fenêtres ou des portes qui ouvrent.
C	12 POUCES*	12 POUCES*	Dégagement des fenêtres fermées en permanence.
D	18 POUCES**	18 POUCES**	Dégagement vertical d'un soffite ventilé.
E	12 POUCES**	12 POUCES**	Dégagement vertical d'un soffite non ventilé.
F	1 POUCE	1 POUCE	Dégagement des murs extérieurs combustibles faisant coin intérieur ou aux obstructions combustibles (habillage extérieur, etc.).
G	3 PIEDS	3 PIEDS***	Dégagement horizontal de chaque côté depuis la ligne verticale tirée du centre d'un ensemble de régulateur/compteur pour une distance verticale maximale de 15'.
H	3 PIEDS	3 PIEDS***	Dégagement de l'évent du régulateur.
I	12 POUCES	9 POUCES	Dégagement d'une prise d'air de ventilation non mécanique de la maison ou d'une prise d'air de combustion de tout autre appareil.
J	6 PIEDS	3 PIEDS****	Dégagement d'une prise d'air mécanique.
K	12 POUCES	12 POUCES***	Dégagement sous une véranda, une terrasse en bois ou un balcon.

* Recommandé afin de prévenir la formation de buée dans les fenêtres et les cassures thermiques.

** Il est recommandé d'utiliser un protecteur de chaleur et de maximiser la distance au soffite de plastique.

*** Ceci est une distance recommandée. Vérifiez les codes locaux pour connaître les contraintes additionnelles.

**** Trois pieds au-dessus, si la distance horizontale est de moins de 10 pieds.

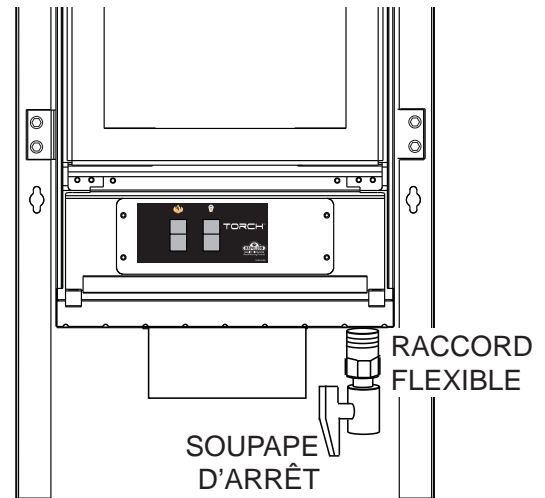
3.2 BRANCHEMENT DU GAZ

! AVERTISSEMENT

LORSQUE LE BRANCHEMENT EST TERMINÉ, TOUS LES RACCORDS DE GAZ DOIVENT SE TROUVER À L'INTÉRIEUR DE L'APPAREIL.

N'UTILISEZ PAS UNE FLAMME NUE.

- A. L'appareil est conçu pour recevoir une conduite de gaz de 1/2". L'appareil est muni d'une soupape d'arrêt manuelle de 1/2".
- B. L'accès à l'entrée du gaz est situé en dessous du caisson extérieur.
- C. La soupape d'arrêt et le raccord flexible doivent toujours être situés à l'intérieur du caisson extérieur.
- D. Lorsque vous courbez une conduite de gaz, soutenez la soupape de gaz afin que la conduite ne plie pas.
- E. Vérifiez pour des fuites de gaz en appliquant une solution d'eau savonneuse.



3.3 AIR COMBURANT ET DE VENTILATION

! AVERTISSEMENT

ASSUREZ-VOUS QUE L'ENDROIT POSSÈDE UNE VENTILATION ADÉQUATE.

Cet appareil est conçu pour être installé à l'extérieur, sur un patio ou dans votre cour. Il ne doit jamais être installé à l'intérieur d'une structure fermée et étanche.

Il est fortement recommandé d'installer cet appareil dans un endroit protégé. Les vents directs causeront des flammes irrégulières et possiblement des pannes de veilleuse et de brûleur principal. Des flammes irrégulières peuvent aussi causer des dépôts de carbone excessifs (suie noire). Cette condition ne compromet pas la sécurité de l'appareil, mais elle est visuellement indésirable.

Des installations typiques peuvent comprendre des patios couverts, des gazebos ou des installations contre le mur extérieur de la maison.

4.0 OSSATURE

! AVERTISSEMENT

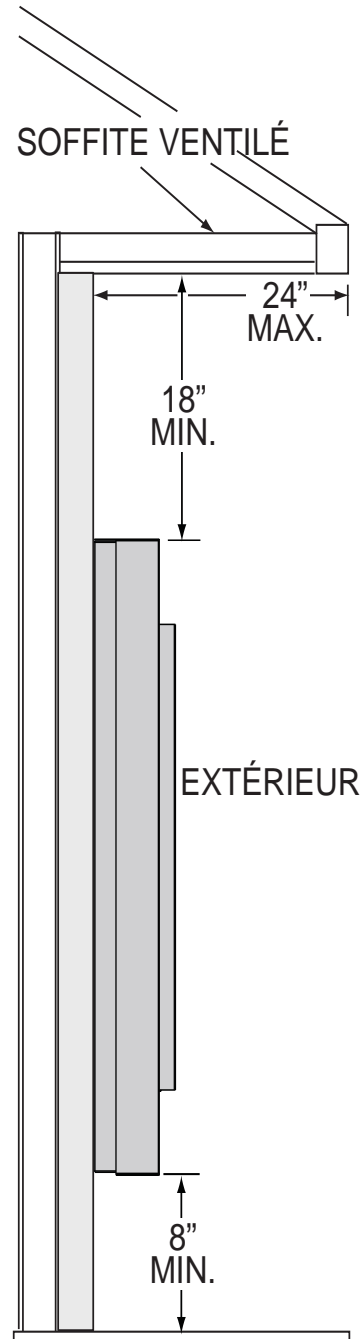
VOTRE APPAREIL EST CONÇU POUR UTILISATION À L'EXTÉRIEUR SEULEMENT. L'APPAREIL DOIT ÊTRE INSTALLÉ DANS LE CABINET FOURNI. CE DERNIER EST CONÇU POUR ÊTRE INSTALLÉ SUR DES SURFACES FINIES.

LE CABINET PEUT ÊTRE INSTALLÉ DIRECTEMENT SUR UNE SURFACE COMBUSTIBLE.

4.1 DÉGAGEMENTS AUX MATÉRIAUX COMBUSTIBLES

MINIMUM CLEARANCES TO COMBUSTIBLES:

- 18" au dessus
- 1" des côtés
- 8" du bas
- 0" de l'arrière



5.0 FINITIONS

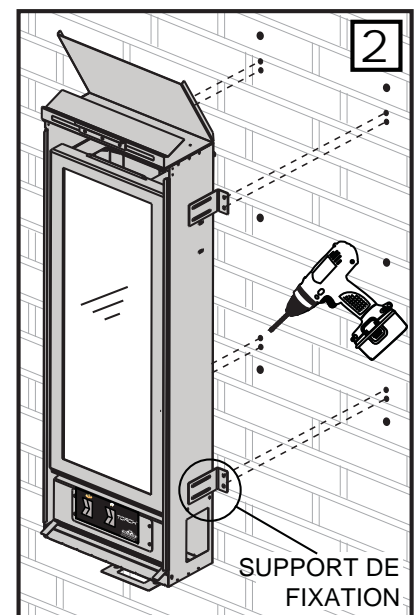
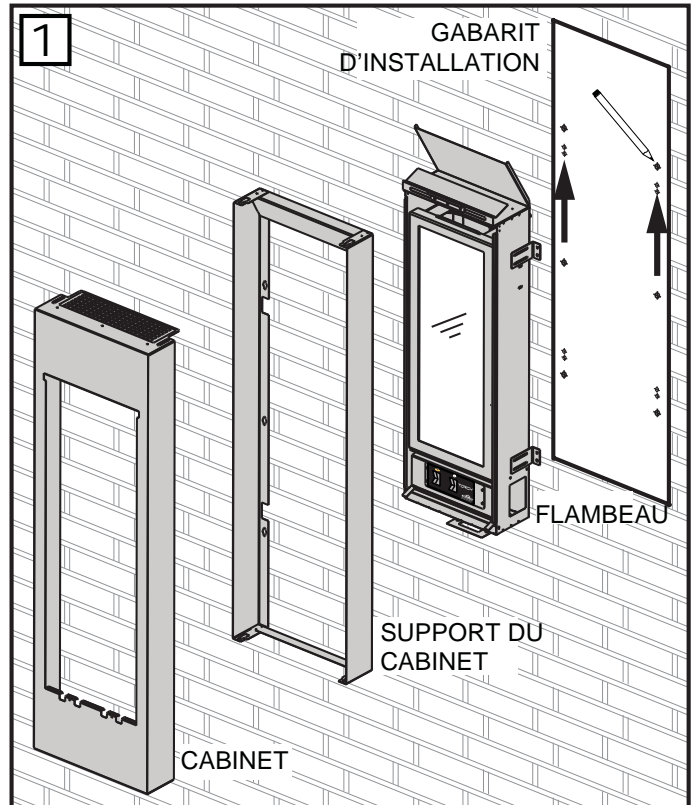
5.1 INSTALLATION DU CABINET TMCSS

! AVERTISSEMENT

AVANT DE DÉBUTER L'INSTALLATION, ENLEVEZ L'EMBALLAGE DE PROTECTION DES TROIS COMPOSANTS DU GSST8 (LE CABINET, LE SUPPORT ET LE FLAMBEAU).

NOTE : Nous recommandons que toutes les attaches soient en acier inoxydable.

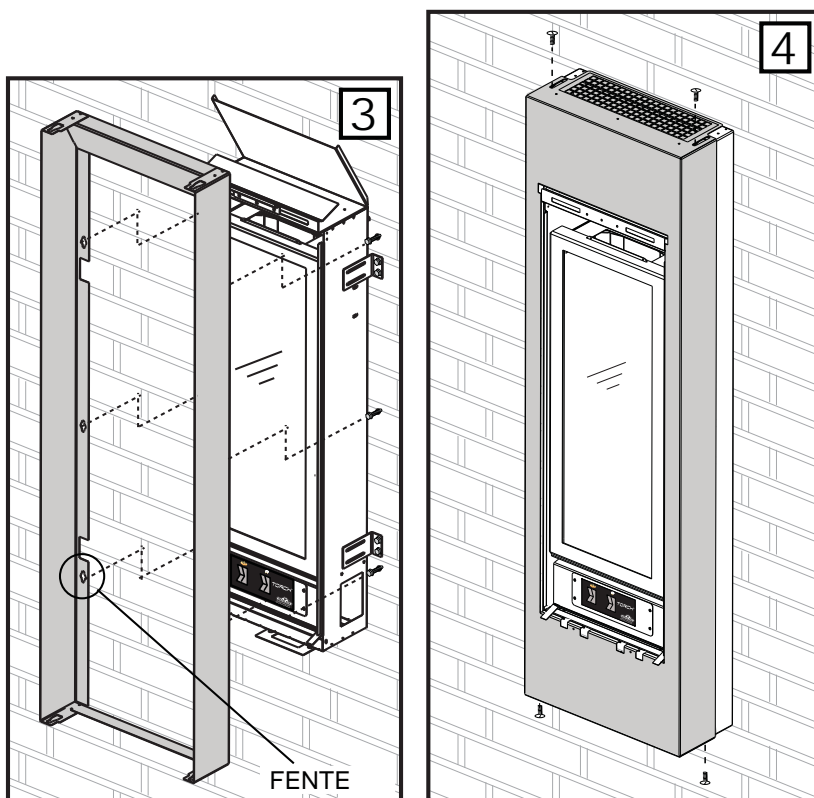
- A. En utilisant le gabarit fourni (W122-0401), déterminez le meilleur emplacement pour votre nouveau Flambeau (reportez-vous à votre manuel pour les dégagements). Marquez tous les centres des 14 trous sur le mur (la surface) en utilisant le gabarit.
- B. Enlevez le gabarit. Percez les trous appropriés selon la surface et les attaches. Placez le flambeau sur le mur en alignant les supports avec les trous pour le montage. Fixez le Flambeau au mur en utilisant les attaches appropriées. **NOTE :** *Le Flambeau a un dégagement de 1/2" entre le panneau extérieur arrière et le mur.*



- C. Introduisez les attaches dans les six trous de montage qui restent. Alignez les trous du support du cabinet avec les têtes des attaches et faites glisser le support vers le bas sur les attaches. Assurez-vous que le support du cabinet est d'aplomb et de niveau avant de serrer les attaches.

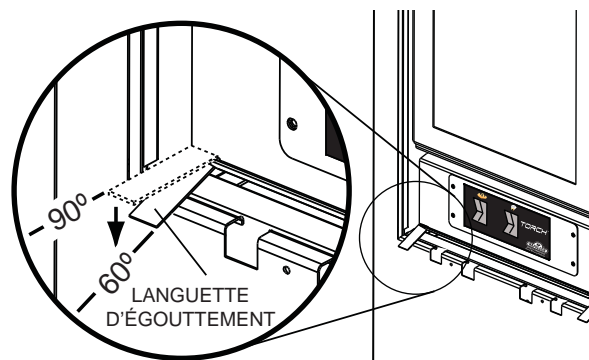
NOTE : Nous recommandons que le gaz et l'électricité soient branchés à l'appareil à ce stade. Les deux doivent entrer dans l'appareil par l'ouverture créée entre la base du Flambeau et la base du support du cabinet.

- D. Glissez le devant du cabinet par-dessus le support du cabinet en vous assurant que le grillage est au-dessus. Introduisez chacune des quatre vis (fournies) à travers les fentes. Une fois que la profondeur du cabinet a été ajustée, les quatre vis peuvent être serrées.



5.2 LANGUETTES D'ÉGOUTTEMENT

Pendant l'expédition, les languettes d'égouttement doivent être à un angle de 90°. Poussez les languettes vers le bas jusqu'à ce que l'angle soit d'environ 60° afin d'aider la pluie à s'écouler hors de l'appareil.



5.3 ENLÈVEMENT DE LA PORTE

! AVERTISSEMENT

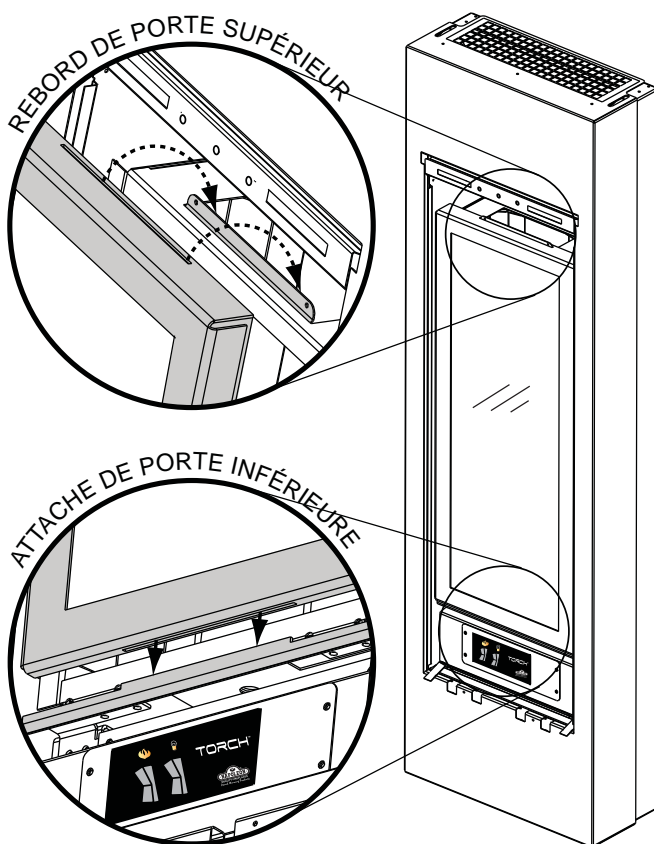
LA VITRE PEUT ÊTRE CHAUDE, NE TOUCHEZ PAS LA VITRE JUSQU'À CE QU'ELLE AIT REFROIDI.

LES LOQUETS DE PORTE FONT PARTIE D'UN DISPOSITIF DE SÉCURITÉ ET DOIVENT ÊTRE ADÉQUATEMENT VERROUILLÉS. NE FAITES PAS FONCTIONNER L'APPAREIL LORSQUE LES LOQUETS SONT DÉVERROUILLÉS.

LES MATÉRIEAUX DE FAÇADE ET DE FINITION NE DOIVENT PAS NUIRE À LA CIRCULATION DE L'AIR DANS LES OUVERTURES D'AIR ET LES PERSIENNES, NI AU FONCTIONNEMENT DES PERSIENNES OU DES PORTES. ILS NE DOIVENT PAS NON PLUS ENTRAVER L'ACCÈS POUR L'ENTRETIEN. RESPECTEZ TOUS LES DÉGAGEMENTS AUX MATÉRIEAUX COMBUSTIBLES.

AVANT D'ENLEVER LA PORTE, ÉTEIGNEZ L'APPAREIL ET ATTENDEZ QUE CE DERNIER SOIT FROID AU TOUCHER. LES PORTES SONT LOURDES ET FRAGILES; MANIPULEZ AVEC SOIN.

75.1

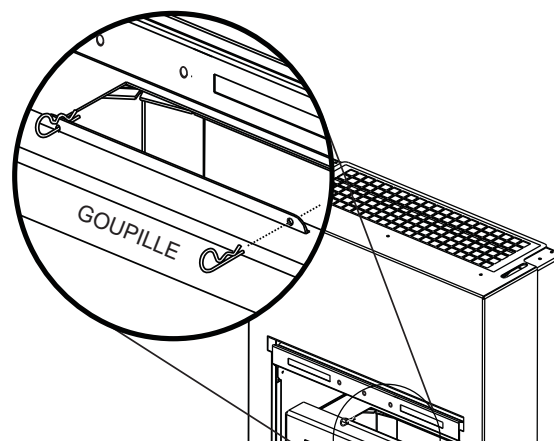


La porte est maintenue en place au bas par une languette de fixation qui s'insère dans une fente au bas de la porte et, au sommet, par une languette qui se fixe de la même façon. La porte peut être retirée en la soulevant des languettes. Lorsque vous la remplacez, guidez la porte dans la languette du haut d'abord, puis dans la languette du bas.

FIXER LA PORTE EN PLACE

Pendant l'expédition, la porte est fixée avec deux goupilles le long du rebord du haut; leur remplacement est optionnel.

Pour fixer la porte en place, utilisez les goupilles fournies telles qu'illustrées.



5.4 INSTALLATION DES BRAISES EN VERRE

! AVERTISSEMENT

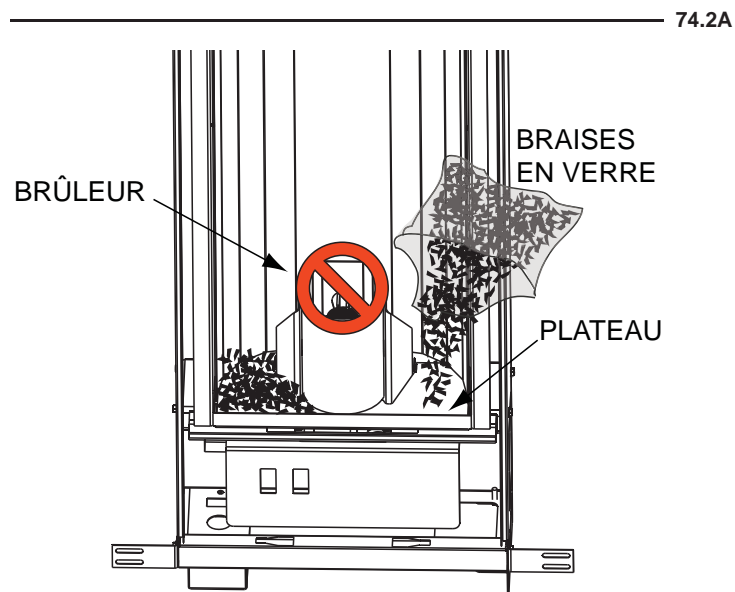
NETTOYEZ LES BRAISES VITRIFIÉES AVANT L'INSTALLATION. ASSUREZ-VOUS QU'ELLES SONT SÈCHES AVANT DE LES DISPOSER DANS LE PLATEAU.

NE CHANGEZ PAS OU NE SUBSTITUEZ PAS LES BRAISES VITRIFIÉES FOURNIES AVEC CET APPAREIL. EN CAS DE REMPLACEMENT, N'UTILISEZ QUE LES BRAISES VITRIFIÉES DE RECHANGE DISPONIBLES CHEZ VOTRE DÉTAILLANT AUTORISÉ.

Éparpillez soigneusement les braises vitrifiées sur le plateau de manière uniforme. Assurez-vous qu'aucun morceau de verre ne tombe dans la zone du brûleur. Si cela se produit, installez un nouveau sac dans votre aspirateur et aspirez les braises vitrifiées. Des braises vitrifiées de rechange peuvent être commandées auprès de votre détaillant autorisé.

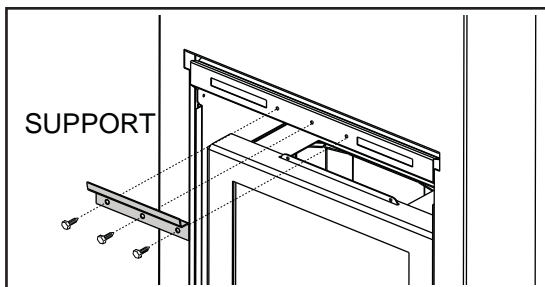
NETTOYAGE DES BRAISES VITRIFIÉES

Il est possible qu'un film huileux recouvre les braises. Avant de les disposer dans le plateau, nettoyez les braises avec un savon à vaisselle doux, égouttez-les, rincez-les à fond et laissez-les sécher.



5.5 INSTALLATION DU CONTOUR TFSSO

- A. Accrochez le contour au caisson du foyer en insérant le support supérieur dans la fente au haut du contour, et les crochets du bas dans les fentes du support du cabinet.

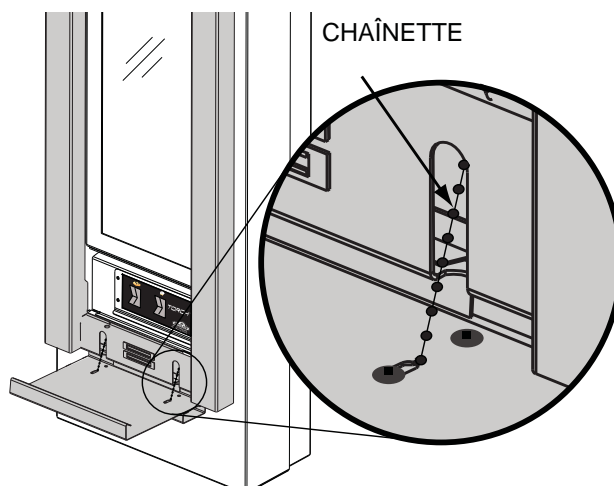
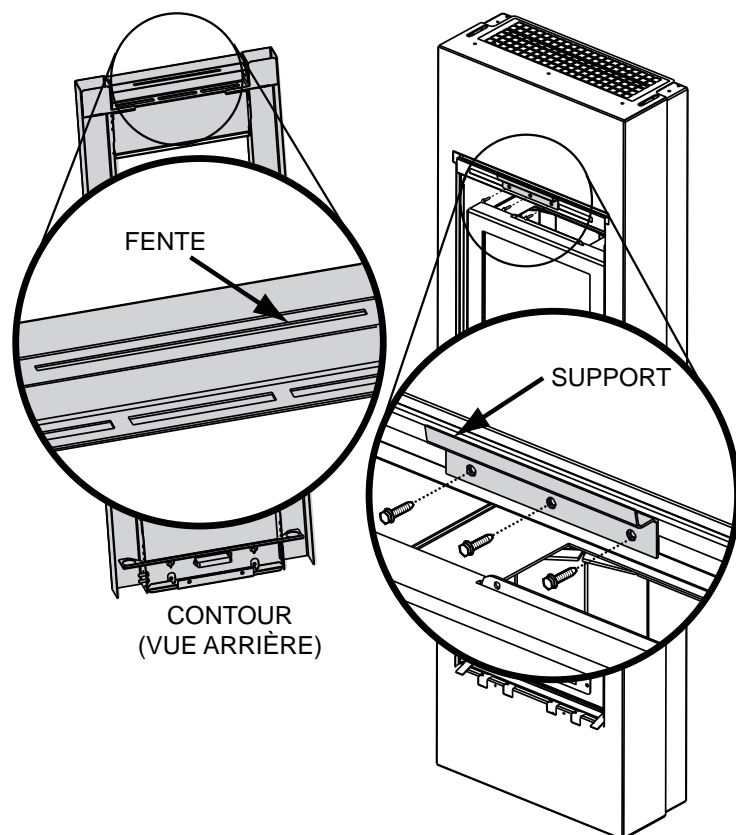


- B. Fixez le support fourni au foyer à l'aide de 3 vis.

NOTE : Si le contour doit être fixé, insérez deux vis dans les trous prévus à cet effet derrière la porte de contrôle.

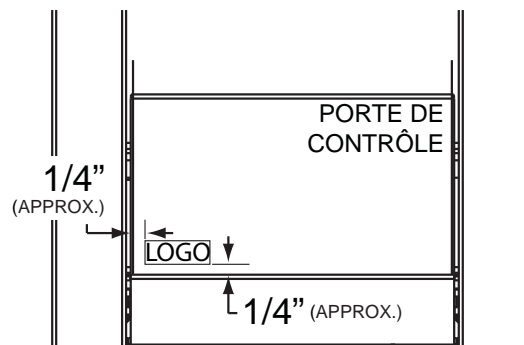
Insérez la chaînette dans la fente de la porte de contrôle, puis insérez-la également dans la fente du contour de manière à ce que la porte de contrôle ait un dégagement de 1/8" avec le support du cabinet lorsqu'elle est pleinement ouverte.

NOTE : Généralement, un total de 15 billes entre les deux fentes est suffisant.



5.6 MISE EN PLACE DU LOGO

Une fois la porte de contrôle refermée, fixez le logo sur la face de celle-ci, dans le coin gauche inférieur.

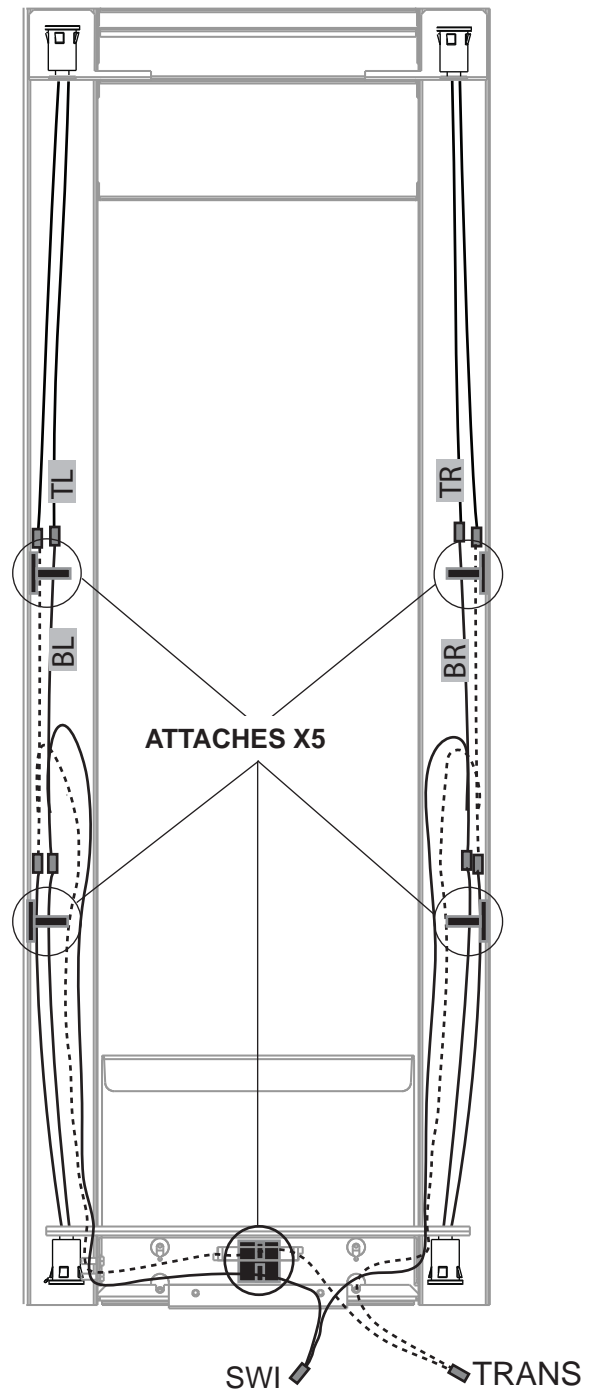


5.7 INSTALLATION DU SYSTÈME D'ÉCLAIRAGE LK8 (OPTIONNEL)

- A. Coupez l'alimentation électrique et en gaz à l'appareil.
- B. Retirez le contour de l'appareil en enlevant les deux vis hexagonales en acier inoxydable du bas et en soulevant le contour hors du support supérieur.
- C. Déposez le contour, face vers le bas, en prenant soin de ne pas égratigner le fini.
- D. En commençant par le haut du contour, prenez un jeu de lumières et enclenchez-le soigneusement dans le trou prévu à cet effet. Répétez cette procédure pour chacun des jeux de lumières. Les fils des deux jeux de lumières supérieures devront être acheminés derrière les écrans thermiques.

Note : Lors de l'installation des jeux de lumières, prenez soin de ne pas égratigner vos doigts sur les vis exposées du contour.

- E. Branchez les jeux de lumières aux connecteurs appropriés sur le harnais de fils. Le harnais de fils est identifié (TR) pour le coin supérieur droit, (BR) pour le coin inférieur droit, (TL) pour le coin supérieur gauche et (BL) pour le coin inférieur gauche.
- F. Fixez les fils dans les attaches de chaque côté et dans le bas du contour. Utilisez les attaches supplémentaires fournies pour fixer tout fil qui est lâche.
- G. Réinstallez le contour sur l'appareil.
- H. Ouvrez le panneau de commande, laissez les fils branchés à l'interrupteur marche/arrêt et placez le transformateur dans le bas de l'appareil. Branchez le transformateur dans le réceptacle.
- I. Branchez un des fils du transformateur au fil du harnais de fils identifié « TRANS », et l'autre à l'interrupteur marche/arrêt. Branchez le dernier fil du harnais de fils identifié « SWI » à l'interrupteur marche/arrêt.
- J. Fermez le panneau de commande.
- K. Ouvrez l'alimentation en gaz et rétablissez l'alimentation électrique.

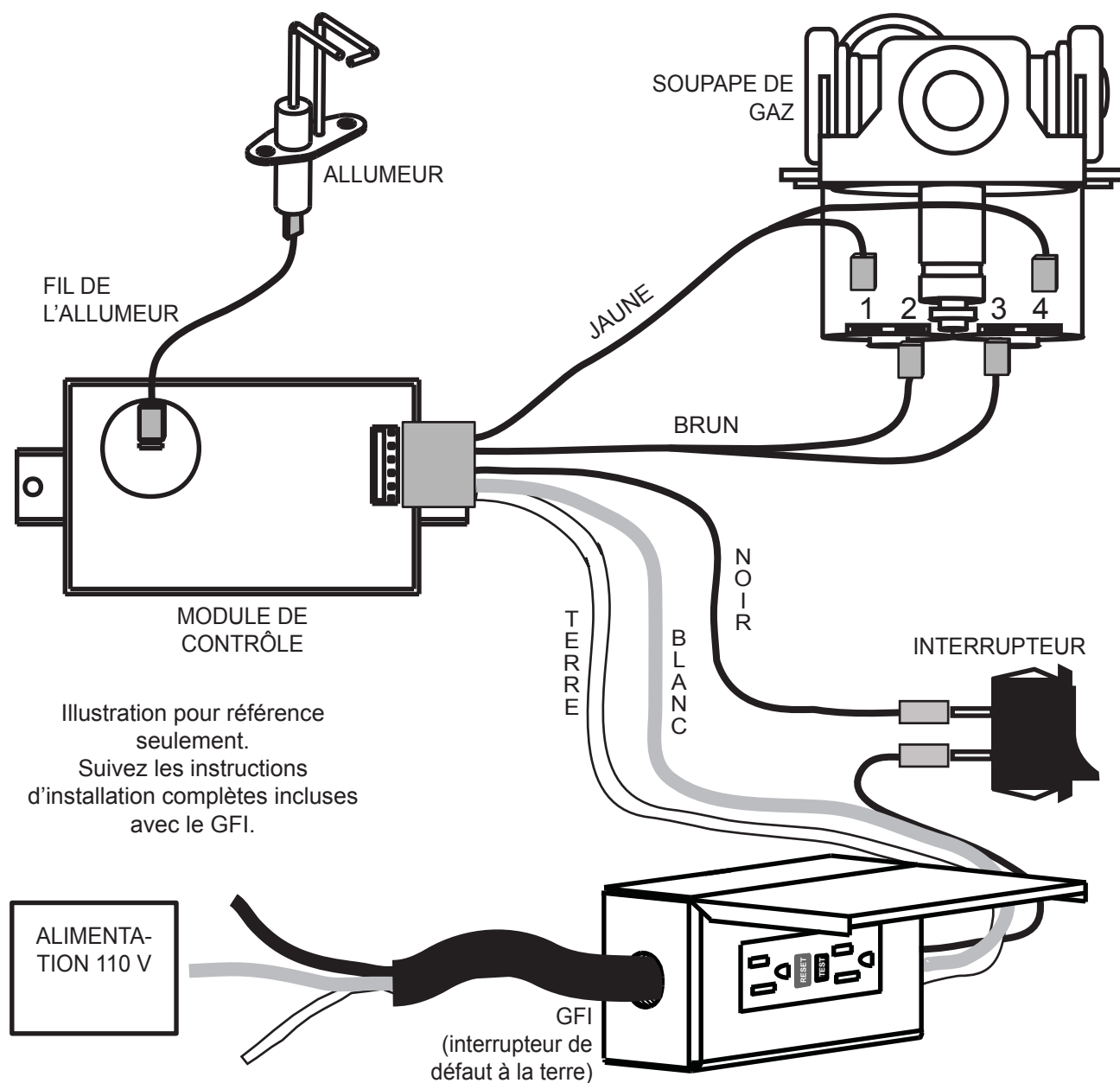


6.0 BRANCHEMENT ÉLECTRIQUE

⚠ AVERTISSEMENT
RISQUE DE CHOCS ÉLECTRIQUES!
LES COMMANDES ET LA SOUPEPE FONCTIONNENT SUR DU COURANT 110 V.
N'UTILISEZ PAS CET APPAREIL SI UNE PARTIE QUELCONQUE A ÉTÉ SUBMERGÉE. CONTACTEZ IMMÉDIATEMENT UN TECHNICIEN QUALIFIÉ POUR INSPECTER L'APPAREIL POUR DES DOMMAGES AU CIRCUIT ÉLECTRIQUE.

Vous devez effectuer un branchement par câble avec cet appareil.
Cet appareil doit être raccordé électriquement et mis à la terre conformément aux codes locaux. En l'absence de codes locaux, utilisez la version courante du CODE CANADIEN DE L'ÉLECTRICITÉ CSA C22.1 au Canada ou le NATIONAL ELECTRICAL CODE ANSI/NFPA 70-1996 aux États-Unis.

NOTE : Lors de l'assemblage, un composé antioxydant a été appliqué à toutes les connexions électriques. Si vous remplacez le harnais de fils existant ou si vous débranchez un connecteur, il est fortement recommandé de réappliquer un composé antioxydant sur les connexions.



7.0 FONCTIONNEMENT

! AVERTISSEMENT

SI CES INSTRUCTIONS NE SONT PAS SUIVIES À LA LETTRE, UN INCENDIE OU UNE EXPLOSION POURRAIENT S'ENSUIVRE, CAUSANT DES DOMMAGES MATÉRIELS, DES BLESSURES CORPORELLES OU DES PERTES DE VIE.

Assurez-vous que l'arrivée de gaz au brûleur est continue avant d'installer la porte. Lorsqu'il est allumé pour la première fois, l'appareil dégagera une légère odeur pendant quelques heures. Cela est une condition normale temporaire causée par la cuisson de la peinture et l'évaporation des lubrifiants internes utilisés dans le processus de fabrication; elle ne se reproduira plus. Après de longues périodes sans utiliser l'appareil, comme à la suite de vacances ou à la fin de l'été, il se peut qu'une légère odeur se dégage pendant quelques heures. Ceci est causé par des particules de poussière brûlant dans l'échangeur de chaleur. Dans les deux cas, ouvrez une fenêtre pour aérer la pièce.

POUR VOTRE SÉCURITÉ, LISEZ CE QUI SUIT AVANT D'ALLUMER L'APPAREIL :

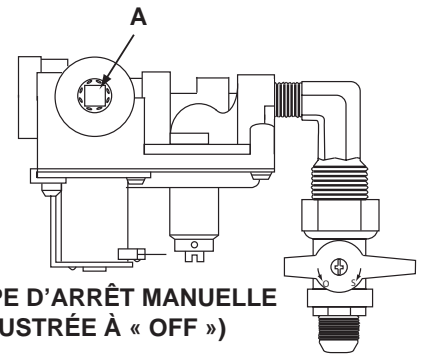
- A. Cet appareil est équipé d'un dispositif d'allumage qui allume automatiquement la veilleuse. N'essayez pas de l'allumer manuellement.
- B. Avant d'allumer, sentez autour de l'appareil et près du plancher afin de vous assurer qu'il n'y a pas de fuite de gaz. Certains gaz sont plus lourds que l'air et se déposeront au niveau du plancher.
- C. N'utilisez pas cet appareil si une partie quelconque a été submergée. Contactez immédiatement un technicien qualifié pour l'inspecter et pour remplacer toute pièce du système de contrôle et du contrôle du gaz qui aurait été submergée.

QUE FAIRE SI VOUS DÉTECTEZ UNE ODEUR DE GAZ :

- Coupez l'alimentation en gaz à l'appareil.
- Ouvrez les fenêtres.
- N'allumez aucun appareil.
- Ne touchez à aucun interrupteur électrique; n'utilisez aucun téléphone dans votre immeuble.
- De la maison d'un voisin, appelez immédiatement votre fournisseur de gaz et suivez ses instructions.
- Si vous ne pouvez pas joindre votre fournisseur de gaz, appelez le service des incendies.

INSTRUCTIONS D'ALLUMAGE :

1. Arrêtez! Lisez les consignes de sécurité ci-dessus.
2. Coupez l'alimentation électrique à l'appareil.
3. Cet appareil est équipé d'un dispositif d'allumage qui allume automatiquement la veilleuse. N'essayez pas de l'allumer manuellement.
4. Ouvrez la porte vitrée.
5. Attendez cinq (5) minutes pour que le gaz puisse s'échapper. Si vous détectez une odeur de gaz, incluant au niveau du plancher, Arrêtez! et suivez les instructions ci-dessus « Que faire si vous détectez une odeur de gaz ». Continuez à l'étape suivante si vous ne sentez pas de gaz.
6. Refermez la porte vitrée.
7. Rétablissez l'alimentation électrique à l'appareil, et réinstallez les piles dans la télécommande.
8. Mettez l'interrupteur de l'appareil à « ON ».
9. Si l'appareil ne fonctionne pas, suivez les instructions pour couper le gaz et contactez votre technicien de service ou le fournisseur de gaz.

**INSTRUCTIONS POUR COUPER LE GAZ :**

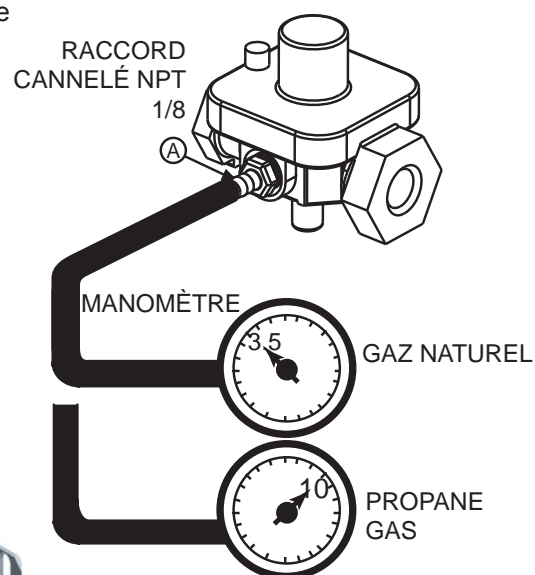
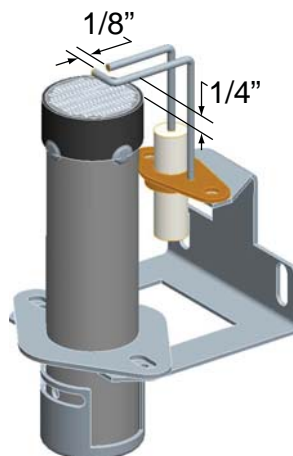
1. Mettez l'interrupteur de l'appareil à « OFF ».
2. Coupez l'alimentation électrique à l'appareil si un travail d'entretien doit se faire.
3. Tournez la soupape d'arrêt manuelle vers la droite à « OFF ». Ne forcez pas.

8.0 RÉGLAGES

8.1 RÉGLAGE DE LA PRESSION DU GAZ

La pression de sortie peut être ajustée si elle n'est pas à 3,5" de colonne d'eau (GN) ou 10,0" de colonne d'eau (PL).

- La pression peut être vérifiée en retirant le bouchon (A) à l'aide d'une clé Allen 3/16 et en le remplaçant par un raccord cannelé NPT 1/8.
- Placez le tube du manomètre par-dessus le raccord.
- La pression peut être ajustée en retirant le bouchon (B) à l'aide d'un tournevis à lame plate et en ajustant le bouchon en nylon avec le même tournevis. Tourner le bouchon vers la droite augmentera la pression.



8.2 VENTURI ADJUSTMENT

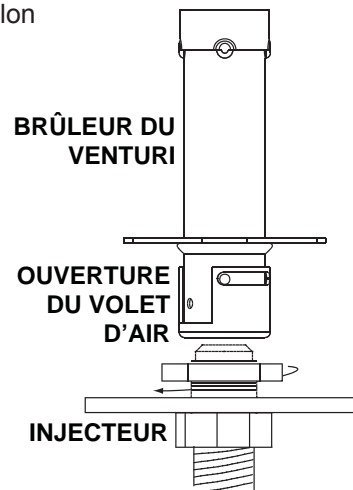
Ce modèle est muni d'un volet d'air dont l'ouverture a été pré-réglée en usine selon le tableau ci-dessous :

Plus le volet est fermé, plus la flamme est jaune et aura tendance à causer des dépôts de carbone. Plus le volet est ouvert, plus la flamme est bleue et plus elle a tendance à se détacher des orifices du brûleur. La flamme peut ne pas être jaune immédiatement; allouez de 15 à 30 minutes pour que la couleur finale de la flamme se stabilise.

LE RÉGLAGE DU VOLET D'AIR DOIT ÊTRE EXÉCUTÉ PAR UN TECHNICIEN OU UN INSTALLATEUR QUALIFIÉ!

NOTE : Il est important que le venturi repose de façon serrée sur l'injecteur.

Le brûleur peut être ajusté de haut en bas afin d'assurer cela.



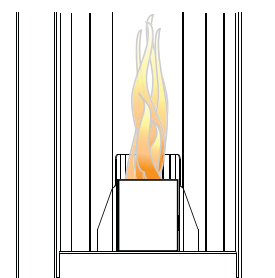
OUVERTURES DU VOLET D'AIR

PL	3/16" DIA
GN	1/16" DIA

49.3

8.3 CARACTÉRISTIQUES DE LA FLAMME

Il est important d'effectuer périodiquement une inspection visuelle de la flamme du brûleur. Comparez-la à cette illustration.



9.0 ENTRETIEN

! AVERTISSEMENT
COUPEZ L'ALIMENTATION EN GAZ ET L'ALIMENTATION ÉLECTRIQUE AVANT DE PROCÉDER À L'ENTRETIEN DE L'APPAREIL.
L'APPAREIL PEUT ÊTRE CHAUD. ATTENDEZ QU'IL SOIT REFROIDI AVANT D'EN FAIRE L'ENTRETIEN.
N'UTILISEZ PAS DE PRODUITS ABRASIFS.

ATTENTION : Lors de l'entretien des contrôles, assurez-vous d'identifier chacun des fils avant de les débrancher. Une réinstallation incorrecte des fils peut occasionner un mauvais fonctionnement et être dangereuse. Assurez-vous que l'appareil fonctionne adéquatement une fois l'entretien terminé. Cet appareil et son système d'évacuation devraient être inspectés avant la première utilisation et au moins une fois l'an par un technicien de service qualifié. L'espace entourant l'appareil doit être gardé propre et libre de matériaux combustibles, d'essence ou autres liquides et vapeurs inflammables. Les apports d'air comburant et d'air de convection ne doivent pas être obstrués.

- A. Pour nettoyer le brûleur principal et la veilleuse adéquatement, il faut retirer les bûches, les roches ou la vitre afin de dégager les deux ensembles.
- B. Gardez le compartiment des contrôles, les composants décoratifs, le brûleur, le volet d'air et l'espace entourant les bûches propres en brossant ou en passant l'aspirateur au moins une fois l'an.
- C. Assurez-vous que tous les orifices des brûleurs produisent des flammes. Nettoyez tous les orifices qui n'ont pas de flamme ou dont la flamme ne brûle pas adéquatement.
- D. Assurez-vous que la flamme de la veilleuse est assez puissante pour envelopper la sonde de flamme et/ou le thermocouple/thermopile et qu'elle atteigne le brûleur.
- E. Remettez en place les bûches, les roches ou la vitre nettoyées. Omettre de positionner les composants décoratifs adéquatement peut causer des dépôts de carbone qui peuvent se déposer dans des endroits de séjour avoisinants.
- F. Vérifiez si le brûleur principal allume sur tous les orifices lorsque le bouton de contrôle du gaz est à « ON ». Un temps d'allumage total de 5 à 10 secondes est satisfaisant. Si l'allumage prend plus de temps, consultez votre détaillant autorisé.
- G. Vérifiez si les joints d'étanchéité sur les côtés, le haut et le bas de la porte ne sont pas brisés ou manquants. Remplacez si nécessaire.
- H. Si pour une raison quelconque le système d'évents de prise d'air est démonté, réinstallez et rescellez-le selon les instructions fournies dans l'installation initiale.

40.1

- Inspectez visuellement l'appareil pour détecter les dépôts de carbone.
- À l'aide d'une petite brosse, enlevez l'excès de carbone et passez l'aspirateur ou mettez au rebut.
- Vérifiez l'appareil pour de la corrosion à la base du brûleur principal.

9.1 SOINS DE LA VITRE

NE PAS NETTOYER LA VITRE LORSQU'ELLE EST CHAUDE! N'EMPLOYEZ PAS DE DÉTERGENTS ABRASIFS POUR NETTOYER LA VITRE.

Polissez légèrement à l'aide d'un linge propre et sec. Nettoyez les deux côtés de la vitre avec un nettoyeur recommandé après les dix premières heures de fonctionnement. Par la suite, nettoyez aussi souvent qu'il le faudra, sinon la vitre risque de rester marquée en permanence.

! AVERTISSEMENT	
	<p>LA VITRE CHAUDE CAUSERA DES BRÛLURES.</p> <p>NE PAS TOUCHER LA VITRE AVANT QU'ELLE AIT REFROIDI.</p> <p>NE JAMAIS LAISSER LES ENFANTS TOUCHER LA VITRE.</p>

5.1

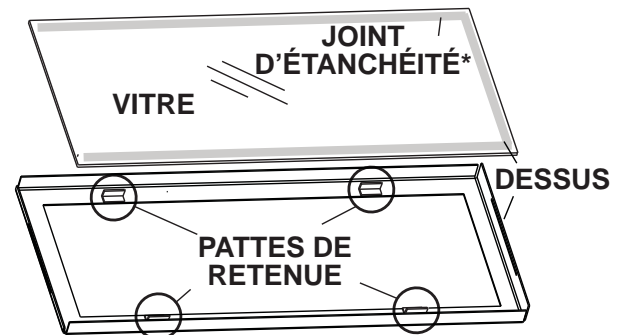
9.2 REMPLACEMENT DE LA VITRE DE PORTE

! AVERTISSEMENT
N'UTILISEZ PAS DE MATÉRIAUX DE SUBSTITUTION.
LA VITRE PEUT ÊTRE CHAUDE, NE TOUCHEZ PAS LA VITRE JUSQU'À CE QU'ELLE AIT REFROIDI.
USEZ DE PRUDENCE LORSQUE VOUS ENLEVEZ ET JETEZ DES DÉBRIS DE VERREOU DES COMPOSANTS ENDOMMAGÉS. ASSUREZ-VOUS D'ASPIRER TOUS LES DÉBRIS DEVERRE À L'INTÉRIEUR DE L'APPAREIL AVANT DE LE FAIRE FONCTIONNER.
NE FRAPPEZ PAS, NE CLAQUEZ PAS ET N'ÉGRATIGNEZ PAS LA PORTE VITRÉE. NE FAITES PAS FONCTIONNER L'APPAREIL LORSQUE LA PORTE VITRÉE EST ENLEVÉE, FISSURÉE, BRISÉE OU ÉGRATIGNÉE.

56.2

Une fois la porte retirée, déposez-la sur une surface lisse et plane, face vers le bas. Il y a quatre pattes de retenue qui doivent être dépliées avant que la vitre puisse être retirée de son cadre. Ne vous appuyez pas sur la vitre.

Lorsque vous effectuez un remplacement, **N'UTILISEZ PAS DE MATÉRIAUX SUBSTITUTS**, remplacez le joint d'étanchéité (W562-0008) et la vitre (W300-0110). Placez la nouvelle vitre dans le cadre et fixez-la en repliant doucement les pattes de retenue dans le joint d'étanchéité.



* Lorsque vous remplacez la vitre de porte, assurez-vous que l'extrémité de la vitre avec le joint d'étanchéité est placé en haut du cadre de porte.

9.3 SOINS DE L'ACIER INOXYDABLE

L'acier inoxydable a tendance à s'oxyder ou à tacher en présence de chlorures et de sulfures, particulièrement dans les zones côtières ainsi que dans les environnements chauds et humides tels que les piscines et les spas. Ces taches, considérées parfois comme de la rouille, peuvent être évitées et éliminées facilement. Pour ce faire, lavez les surfaces en acier inoxydable toutes les 3 à 4 semaines ou aussi souvent que nécessaire avec de l'eau fraîche ou un nettoyant à acier inoxydable.

NETTOYAGE DE LA SURFACE EN ACIER INOXYDABLE :

N'utilisez pas de produits abrasifs ou de laine d'acier sur les pièces en acier inoxydable de votre appareil, ils égratigneront le fini. Les surfaces doivent être nettoyées avec de l'eau chaude savonneuse quand le métal est encore chaud au toucher. Pour nettoyer les surfaces en acier inoxydable, utilisez un nettoyant sans abrasif ou à acier inoxydable et frottez toujours dans le sens du grain. Les pièces en acier inoxydable vont décolorer de façon permanente sous l'effet de la chaleur pour habituellement prendre une teinte dorée ou brune. Cette décoloration est normale et n'affectera pas la performance de l'appareil.

81.1

10.0 RECHANGES

Contactez votre détaillant ou le fabricant pour les questions concernant les prix et la disponibilité des pièces de rechange. Normalement, toutes les pièces peuvent être commandées chez votre détaillant autorisé.
POUR UN REMPLACEMENT DE PIÈCE SOUS GARANTIE, UNE PHOTOCOPIE DE LA FACTURE ORIGINALE SERA REQUISE AFIN DE POUVOIR HONORER LA DEMANDE.

Lorsque vous commandez des pièces, donnez toujours l'information suivante :

- Modèle et numéro de série de l'appareil
- Date d'installation de l'appareil
- Numéro de la pièce
- Description de la pièce
- Fini

*** IDENTIFIE LES ARTICLES QUI NE SONT PAS ILLUSTRÉS. POUR PLUS D'INFORMATION, CONTACTEZ VOTRE DÉTAILLANT AUTORISÉ.**

 **AVERTISSEMENT**

OMETTRE DE POSITIONNER LES PIÈCES CONFORMÉMENT AU MANUEL OU D'UTILISER UNIQUEMENT DES PIÈCES SPÉCIFIQUEMENT APPROUVÉES POUR CET APPAREIL PEUT CAUSER DES DOMMAGES MATÉRIELS OU DES BLESSURES CORPORELLES.

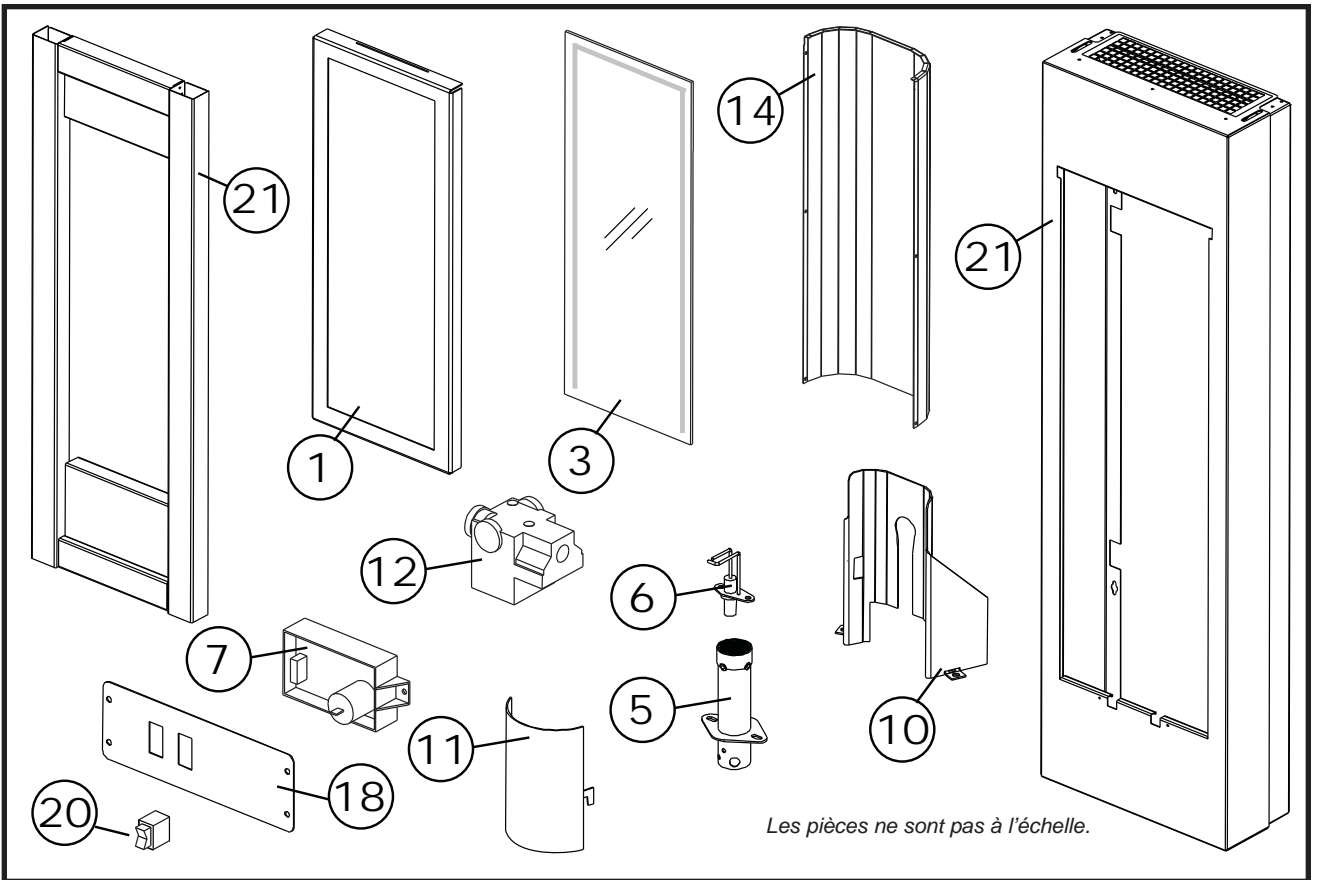
41.1

COMPOSANTS

N° RÉF.	N° DE PIÈCE	DESCRIPTION
1	W225-0223	CADRE DE PORTE
2*	W562-0008	JOINT D'ÉTANCHÉITÉ DE PORTE
3	W010-1959	VITRE AVEC JOINT D'ÉTANCHÉITÉ
4*	W300-0110	VITRE
5	W100-0111	BRÛLEUR
6	W357-0006	ALLUMEUR
7	W190-0026	MODULE DE CONTRÔLE
8*	W750-0202	HARNAIS DE FILS
9*	W750-0184	CÂBLE D'ALLUMAGE
10	W200-0263	COUVERCLE DE L'ALLUMEUR
11	W200-0262	COUVERCLE DU BRÛLEUR
12	W725-0052	SOUPAPE GAZ NATUREL - 3,5" C.E.
12	W725-0053	SOUPAPE PROPANE - 10,0" C.E.
13*	W455-0085	INJECTEUR DE BRÛLEUR - GN
13*	W455-0086	INJECTEUR DE BRÛLEUR - PL
14	W475-0590	PANNEAU ARRIÈRE
15*	W300-0108	BRAISES EN VERRE (NOIRES)
16*	W562-0046	JOINT D'ÉTANCHÉITÉ, PANNEAU ARRIÈRE
17*	W385-0334	LOGO NAPOLÉON®
18	W475-0595	PANNEAU DE COMMANDE
19*	W385-0380	ÉTIQUETTE DU PANNEAU DE COMMANDE
20*	W660-0082	COMMUTATEUR MARCHE/ARRÊT EXTÉRIEUR

ACCESSOIRES

N° RÉF.	N° DE PIÈCE	DESCRIPTION
21	TMCSS	CABINET
22	TFSSO	CONTOUR
23*	LK8	SYSTÈME D'ÉCLAIRAGE
24*	W573-0002	SCCELLANT À HAUTE TEMPÉRATURE
25*	W573-0007	SCCELLANT À HAUTE TEMPÉRATURE
26*	W175-0270	ENSEMBLE DE CONVERSION - GN À PL
27*	W175-0274	ENSEMBLE DE CONVERSION - PL À GN



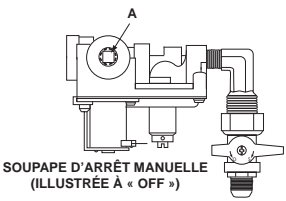
! AVERTISSEMENT

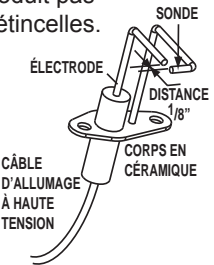
ALLUMEZ TOUJOURS LA VEILLEUSE, QUE CE SOIT POUR LA PREMIÈRE FOIS OU LORSQUE L'APPROVISIONNEMENT EN GAZ EST ÉPUISÉ, AVEC LA PORTE VITRÉE OUVERTE OU RETIRÉE.

COUPEZ L'ALIMENTATION EN GAZ ET L'ALIMENTATION ÉLECTRIQUE AVANT DE PROCÉDER À L'ENTRETIEN DE L'APPAREIL.

L'APPAREIL PEUT ÊTRE CHAUD. N'EFFECTUEZ AUCUN ENTRETIEN JUSQU'À CE QUE L'APPAREIL SOIT REFROIDI.

N'UTILISEZ PAS DE NETTOYANTS ABRASIFS.

SYMPTÔME	PROBLÈME	SOLUTIONS
L'électrode produit une étincelle, le brûleur allume, l'électrode continue de produire des étincelles pour une durée de 7 secondes, le brûleur s'éteint.	Les fils chargé et neutre sont inversés sur le module de contrôle.	- Branchez le fil chargé au fil noir. Branchez le fil neutre au fil blanc.
	Pas de contact entre la sonde et la flamme.	- Haussez l'électrode/sonde dans la flamme.
Les flammes sont régulièrement trop grandes ou trop petites. Il se produit des dépôts de carbone.	La pression du gaz est trop faible ou trop forte.	- Vérifiez la pression : - La pression de sortie peut être vérifiée en retirant le bouchon (A) et en remplaçant par un raccord cannelé NPT 1/8". Placez ensuite le tube du manomètre par-dessus le raccord. Le manomètre doit indiquer 3,5" de colonne d'eau pour le gaz naturel ou 10" de colonne d'eau pour le propane. APRÈS AVOIR PRIS LA LECTURE DES PRESSIONS, ASSUREZ-VOUS DE REMETTRE LE BOUCHON EN PLACE POUR SCELLER À NOUVEAU. NE SERREZ PAS TROP FORT. - Vérifiez pour des fuites en appliquant une solution d'eau savonneuse.
	 <p style="text-align: center;">SOUPAPE D'ARRÊT MANUELLE (ILLUSTRÉE À « OFF »)</p>	
Du carbone se dépose sur la vitre, les bûches ou les parois de la chambre de combustion.	Le volet d'air est bloqué.	- Assurez-vous que l'ouverture du volet d'air n'est pas bloquée par des fibres ou autres obstructions.
	La flamme effleure les parois de la chambre de combustion.	- Augmentez l'ouverture du volet d'air pour augmenter le volume d'air primaire. - Vérifiez le débit d'alimentation : vérifiez que la pression du collecteur et la grandeur de l'injecteur soient telles que spécifiées sur la plaque d'homologation. - Vérifiez si les joints de la porte ne sont pas brisés ni manquants et qu'ils sont étanches.
Une pellicule blanche ou grise se forme.	Le soufre du combustible se dépose sur la vitre, les bûches ou les parois de la chambre de combustion.	- Nettoyez la vitre avec un nettoyeur recommandé. NE PAS NETTOYER LORSQU'ELLE EST CHAUDE. Si vous ne nettoyez pas les dépôts régulièrement, la vitre risque de rester marquée en permanence.
Pas de gaz au brûleur principal; l'interrupteur est à « ON ».	L'interrupteur est défectueux.	- Reliez un fil de dérivation entre les bornes de l'interrupteur mural; si le brûleur principal s'allume, remplacez l'interrupteur/thermostat.
	L'injecteur du brûleur est bloqué.	- Enlevez ce qui obstrue.
	Soupape de contrôle défectueuse.	- Remplacez.
	Soupape défectueuse.	- Remplacez.

SYMPTÔME	PROBLÈME	SOLUTIONS
Le brûleur ne s'allume pas, l'allumeur produit des étincelles.	Pas de gaz au brûleur.	- Vérifiez si la soupape manuelle est ouverte. - Remplacez la soupape.
	Plus de propane.	- Remplissez le réservoir.
L'allumeur ne produit pas d'étincelles.	 <p>Aucune étincelle à l'allumeur.</p>	- Vérifiez l'alimentation (c.-à-d. fusible, disjoncteur). - Vérifiez si le fil est raccordé à l'allumeur et au module de contrôle. - Vérifiez si l'étincelle ne saute pas vers le couvercle de l'allumeur. - Remplacez le fil si son isolant est brisé ou effiloché. - Remplacez l'électrode si l'isolateur de céramique est fêlé ou brisé.
		La longueur de l'étincelle est incorrecte.
L'interrupteur mural est à « OFF »; le brûleur s'allume.	L'interrupteur mural est raccordé à l'envers.	- Raccordez à l'endroit.
	L'interrupteur mural cause un court-circuit.	- Remplacez.
	Le fil de l'interrupteur mural cause un court-circuit.	- Vérifiez si le fil est bien branché; réparez ou remplacez le fil.
	Le fil est défectueux.	- Remplacez.

42.22_2

GARANTIE

Les produits NAPOLÉON® sont fabriqués conformément aux normes strictes du Certificat d'Assurance de Qualité mondialement reconnu ISO 9001 : 2000.

Les produits NAPOLÉON® sont conçus avec des composants et des matériaux de qualité supérieure, assemblés par des artisans qualifiés qui sont fiers de leur travail. Le brûleur et le montage de la soupape subissent un test de détection de fuites et d'allumage à une station de test de qualité. Une fois assemblé, chaque appareil est soigneusement inspecté de nouveau par un technicien qualifié avant d'être emballé pour garantir que vous, le client, recevez le produit de qualité dont vous vous attendez de NAPOLÉON®.

GARANTIE LIMITÉE DE 5 ANS DES APPAREILS AU GAZ NAPOLÉON®

Tous les composants en acier inoxydable de votre nouvel appareil au gaz NAPOLÉON® sont garantis contre les défauts pour une période de cinq ans.

Toutes les pièces telles que les soupapes de gaz, les bûches et les joints d'étanchéité sont couverts et NAPOLÉON® fournira gratuitement les pièces de rechange durant la première année de la garantie limitée.*

Les coûts de main-d'oeuvre relatifs aux réparations garanties sont couverts gratuitement durant la première année.

Cependant, les travaux de réparation nécessitent l'approbation préalable d'un représentant autorisé de la compagnie. Les coûts de main-d'oeuvre à la charge de NAPOLÉON® sont basés sur un programme de tarifs prédéterminé et tout travail de réparation doit être accompli par l'entremise d'un représentant autorisé NAPOLÉON®.

* La fabrication de chaque modèle varie. La garantie s'applique uniquement aux composants disponibles avec votre appareil.

CONDITIONS ET LIMITATIONS

NAPOLÉON® garantit ses produits contre les défauts de fabrication à l'acheteur d'origine seulement. L'enregistrement de la garantie n'est pas nécessaire. Fournissez simplement une preuve d'achat ainsi que le modèle et le numéro de série afin d'effectuer une réclamation de garantie.

Napoléon® se réserve le droit de demander à son représentant d'inspecter tous produits ou pièces avant d'honorer toute réclamation. L'achat doit avoir été fait par l'entremise d'un détaillant NAPOLÉON® autorisé et sous réserve des conditions et limitations suivantes :

La couverture de la garantie débute à partir de la date d'installation originale.

Cette garantie limitée s'applique seulement lorsque l'appareil demeure à l'endroit d'installation d'origine et seulement si l'appareil est installé au Canada ou aux États-Unis.

Cette garantie du fabricant n'est pas transférable et ne peut être prolongée ou étendue par aucun de nos représentants quelle qu'en soit la raison. L'installation doit être faite conformément aux instructions d'installation incluses avec le produit et à tous les codes d'incendie et de construction locaux et nationaux.

Cette garantie limitée ne couvre pas les dommages causés par un mauvais usage, un manque d'entretien, un accident, des altérations, des abus ou de la négligence et l'installation de pièces d'autres fabricants annulera cette garantie.

Cette garantie limitée ne couvre pas non plus les égratignures, les bossellements, la corrosion ou la décoloration causés par une chaleur excessive, des produits d'entretien chimiques et abrasifs, le bris par manipulation des bûches et des braises.

Au cours de la première année seulement, cette garantie s'applique à la réparation ou au remplacement des pièces garanties dont les matériaux ou la fabrication sont défectueux à la condition que le produit ait été utilisé conformément aux instructions de fonctionnement et dans des conditions normales.

Après la première année, concernant cette Garantie Limitée, NAPOLÉON® peut, à sa discrétion, se libérer entièrement de toutes obligations en ce qui concerne cette garantie en remboursant à l'acheteur d'origine le prix de gros de toute pièce garantie qui est défectueuse.

Après la première année, NAPOLÉON® ne sera pas responsable de l'installation, de la main-d'oeuvre ou autres dépenses relatives à la réinstallation d'une pièce garantie et de telles dépenses ne sont pas couvertes par cette garantie.

Nonobstant toutes les dispositions contenues dans cette Garantie Limitée, la responsabilité de NAPOLÉON® sous cette garantie est définie comme ci-dessus et elle ne s'appliquera à aucun dommage accidentel, consécutif ou indirect.

Cette garantie définit l'obligation et la responsabilité de NAPOLÉON® en ce qui concerne l'appareil au gaz Napoléon®. Toute autre garantie énoncée ou implicite en ce qui concerne ce produit, ses composants ou accessoires est exclue.

Cette garantie limitée ne couvre pas les dommages causés par l'utilisation de composants qui ne sont pas fournis avec l'appareil, ou l'utilisation d'un combustible autre que celui spécifié.

Tous dommages causés à l'appareil par les intempéries, de longues périodes d'humidité, la condensation, les produits chimiques ou produits d'entretien nuisibles ne seront pas la responsabilité de NAPOLÉON®.

La facture ou sa copie sera requise ainsi qu'un numéro de série et un numéro de modèle lors d'une réclamation auprès de votre représentant autorisé. La carte d'enregistrement de garantie doit être retournée dans les quatorze jours pour enregistrer la garantie. NAPOLÉON® se réserve le droit de demander à son représentant d'inspecter tout produit ou pièce avant d'honorer toute réclamation.

Toutes les pièces remplacées en vertu de la politique de Garantie limitée ne peuvent faire l'objet que d'une seule réclamation.

Toutes les pièces remplacées au titre de la garantie seront couvertes pour une période de 90 jours à partir de leur date d'installation.

Le fabricant peut exiger que les pièces défectueuses ou les produits soient retournés ou que des photos numériques soient fournies pour valider la réclamation. Les produits retournés doivent être expédiés port payé au fabricant pour une inspection en usine. Si un produit est déclaré défectueux, le fabricant le réparera ou le remplacera.

Avant d'expédier votre appareil ou les pièces défectueuses, votre détaillant doit obtenir un numéro d'autorisation. Toute marchandise expédiée à notre usine sans autorisation sera refusée et retournée à l'expéditeur.

Les coûts d'expédition ne sont pas couverts par cette garantie.

Des frais de service supplémentaires peuvent être appliqués si vous cherchez à obtenir des services au titre de la garantie auprès d'un détaillant.

Les frais de déplacement pour main-d'oeuvre, de tests de diagnostic, d'expédition et autres frais afférents ne sont pas couverts par cette garantie.

TOUTES LES SPÉCIFICATIONS ET LES CONCEPTIONS SONT SUJETTES À MODIFICATIONS SANS PRÉAVIS EN RAISON DES AMÉLIORATIONS CONSTANTES APPORTÉES AUX PRODUITS. NAPOLÉON® EST UNE MARQUE DE COMMERCE DÉPOSÉE DE WOLF STEEL LTÉE.



Autres produits offerts chez votre
détaillant de foyers Napoléon® autorisé...



Chauffe-patios



Manteaux de foyer



Produits HVAC



Foyers électriques



Produits de divertissement extérieurs



Accessoires de foyer

Pour de plus amples renseignements, contactez votre détaillant Napoléon® autorisé
ou visitez le napoleonfoyers.com.