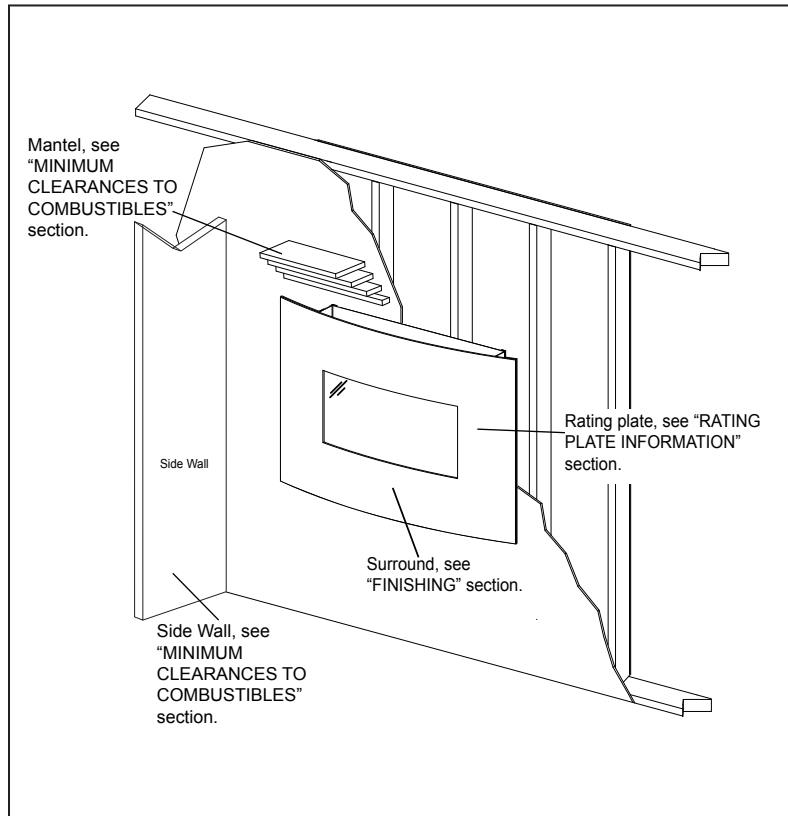


PLAZMAFIRE™ VF24 VENT FREE GAS FIREPLACE

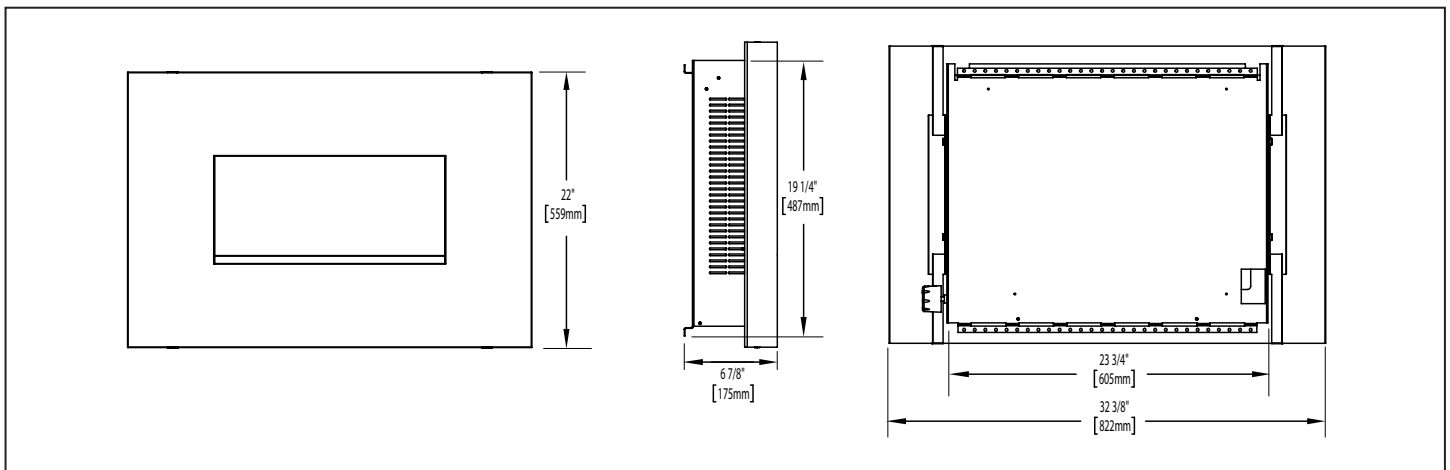
Specifications

Model	BTU	Width	Height	Depth	Glass
WHVF24	9,000	32 3/8	19 1/4	6 7/8	12 x 27 13/16

Overview



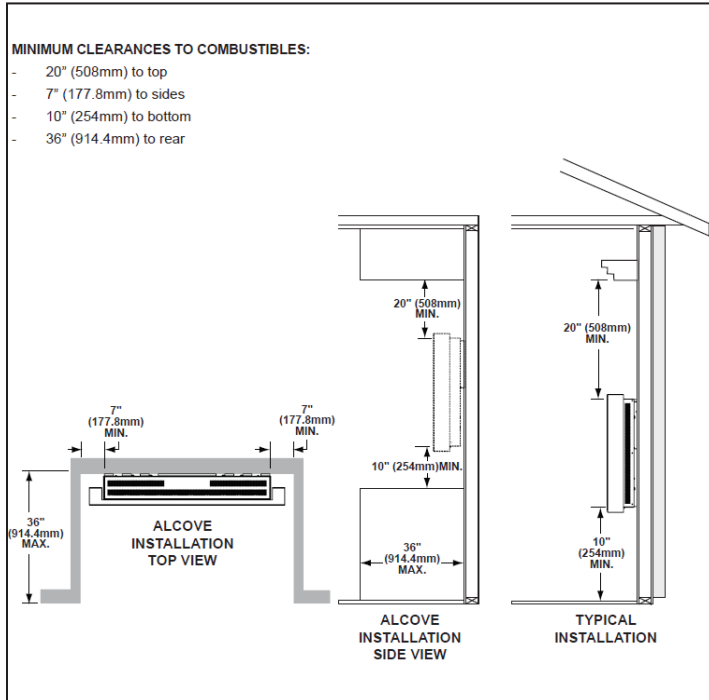
Dimensions



PLAZMAFIRE™ VF24 VENT FREE GAS FIREPLACE

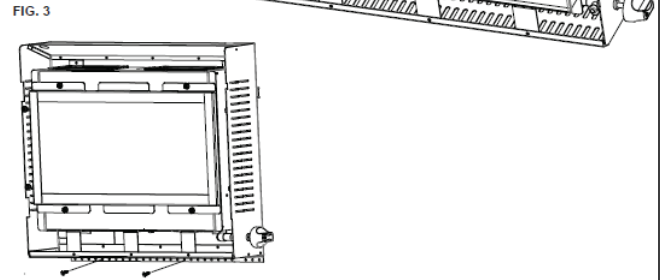
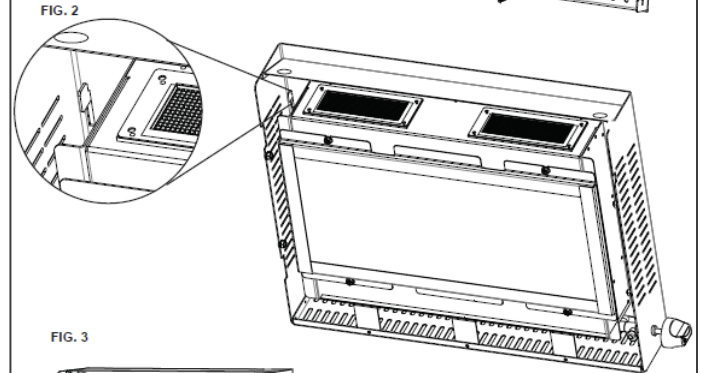
Framing & Clearances

Minimum Clearance to Combustibles



Mounting the Appliance

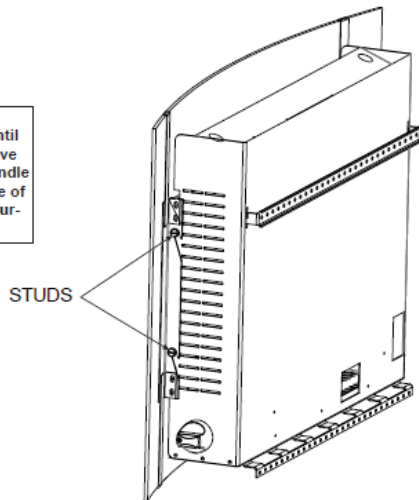
- Level and affix the paper template to the wall at desired location and height. See "MINIMUM CLEARANCES TO COMBUSTIBLES" section for the minimum clearance requirement.
- Using the paper template, mark the mounting screw locations.
- Install the mounting bracket onto the wall using the two screws as shown in Figure 1. Make sure the mounting bracket is level on the wall and the slots are facing upward. **NOTE:** The mounting screws must go into a wall stud or proper anchors.
- Mount the appliance onto the mounting bracket by placing the appliance into the slots until it is secured in place, see Figure 2. **NOTE:** Ensure the appliance is resting securely in the slots.
- Further secure the bottom of the appliance with the two screws, see Figure 3. **NOTE:** It is strongly recommended that the appliance be screwed into the wall studs where possible. If the wall studs cannot be used, ensure that the proper anchors (not supplied) are used to affix the appliance to the wall and the appliance is adequately secured.



Surround Installation/Removal

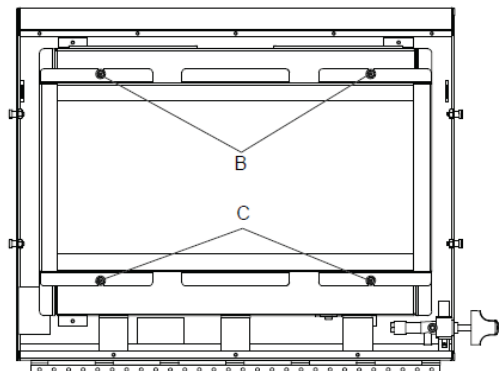
Lift the surround and engage the hooks into the studs on the appliance, then let it slide down into position.

WARNING:
Do not let glass go until you ensure hooks have engaged the studs. Handle glass with care, if edge of glass strikes a hard surface, it will shatter.



Door Removal/Installation

- Remove the surround, see "SURROUND INSTALLATION / REMOVAL" section.
- Remove the two screws on the upper frame that secure the door.
Loosen the two screws on the lower frame. **NOTE:** These lower screws support the door assembly and should not be removed.
- Lift the door up and off.



Product information provided is not complete and is subject to change without notice. Please consult the installation manual for the most up to date installation information.