

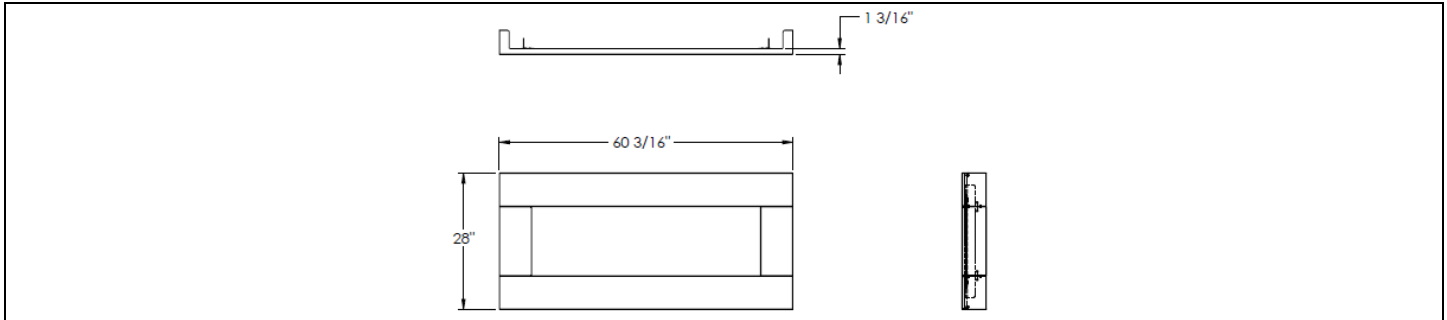
# PLAZMAFIRE™ 48 DIRECT VENT GAS FIREPLACE



## Specifications

Model	BTU	Width	Height	Depth	Glass
WHD48N	28,000	60 3/16	28	8 9/16	17.865 x 49.129
WHD48P	28,000	60 3/16	28	8 9/16	17.865 x 49.129

## Trims & Surrounds



## Minimum Fireplace Clearances

### MINIMUM CLEARANCE TO COMBUSTIBLES AND NON-COMBUSTIBLES

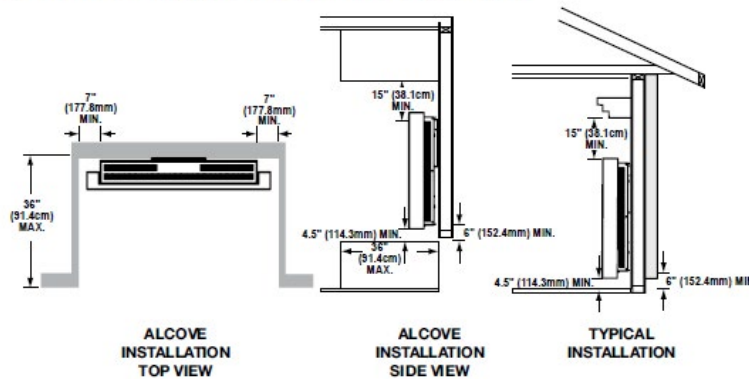
#### MINIMUM CLEARANCE TO COMBUSTIBLE CONSTRUCTION FROM APPLIANCE AND VENT SURFACES:

- 0" (0mm) to wall mounting plate flanges
- 1" (25.4mm) to bottom and sides of vent pipe for horizontal runs\*
- 3" (76.2mm) to top of vent pipe for horizontal runs\*

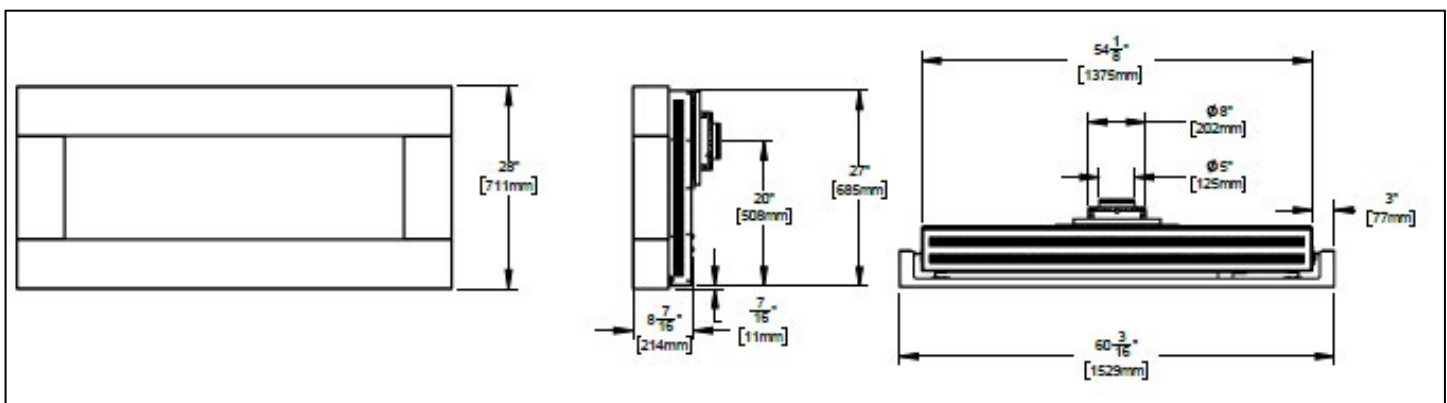
#### MINIMUM CLEARANCES TO COMBUSTIBLES (FROM THE APPLIANCE) :

- 15" (38.1cm) to top/ceiling
- 7" (177.8mm) to sides
- 6" (152.4mm) to bottom/floor

\* On all vertical vent rises, only one inch clearance to the vent pipe is required.



## Dimensions

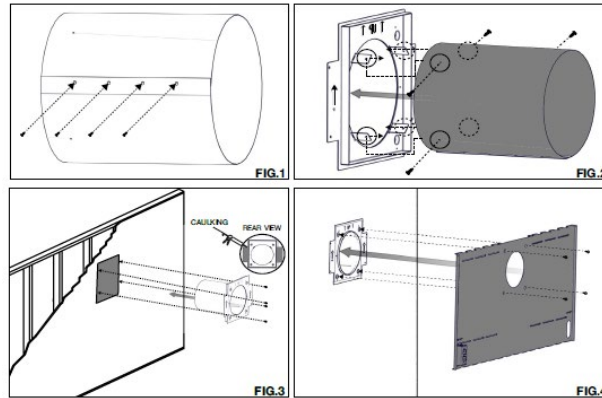


Product information provided is not complete and is subject to change without notice. Please consult the installation manual for the most up to date installation information.

## Mounting Plate Installation

### MOUNTING PLATE INSTALLATION

- A. Level and affix the mounting 'template' to the wall at the desired location and height. The centre of the vent pipe must be centered between wall studs.
- B. Using the 'template', mark the holes for the vent, gas and electrical outlets, and mounting screw locations (must be into studs). See "MINIMUM CLEARANCES TO COMBUSTIBLES" section.  
**NOTE:** Use the appropriate cutout on the mounting 'template' for combustible or non-combustible material. Choose the appropriate screws required (minimum of four) to mount appliance into wall studs.
- C. Remove the mounting 'template' from the wall and cut/drill the required holes as marked.
- D. Remove the four screws that secure the wall mounting plate to the appliance.
- E. Screw the vent shield together using four screws (supplied). (FIG. 1)
- F. Bend the four tabs on the firestop spacer outwards and secure the firestop spacer to the wall plate using 6 screws (supplied).
- G. Slide the vent shield into the firestop spacer assembly aligning the holes within the tabs. Using four screws (supplied), secure the vent shield to the firestop spacer assembly. (FIG. 2)
- H. The vent shield and firestop spacer have been designed to accommodate a maximum wall depth of 14" (35.6cm). The vent shield must extend the full depth of the combustible wall. Trim the vent shield to suit as necessary.
- I. Apply a bead of caulking (not supplied) to the flange perimeter and wings of the wall plate. Insert the firestop spacer assembly with mounted vent shield into the wall and level the firestop spacer assembly. Once leveled, secure firestop spacer assembly to the wall using four fasteners (supplied). (FIG. 3)
- J. Install mounting plate by aligning dimples on firestop spacer assembly and secure using four screws (supplied). (FIG. 4)



## Mounting Appliance

- A. Guide the vent pipe through the shield on the mounting plate and secure the appliance to the mounting plate as illustrated using 8 screws provided.  
**HINT:** When mounting the WHD48, rest the firebox on 2 support brackets affixed to the mounting plate.

