

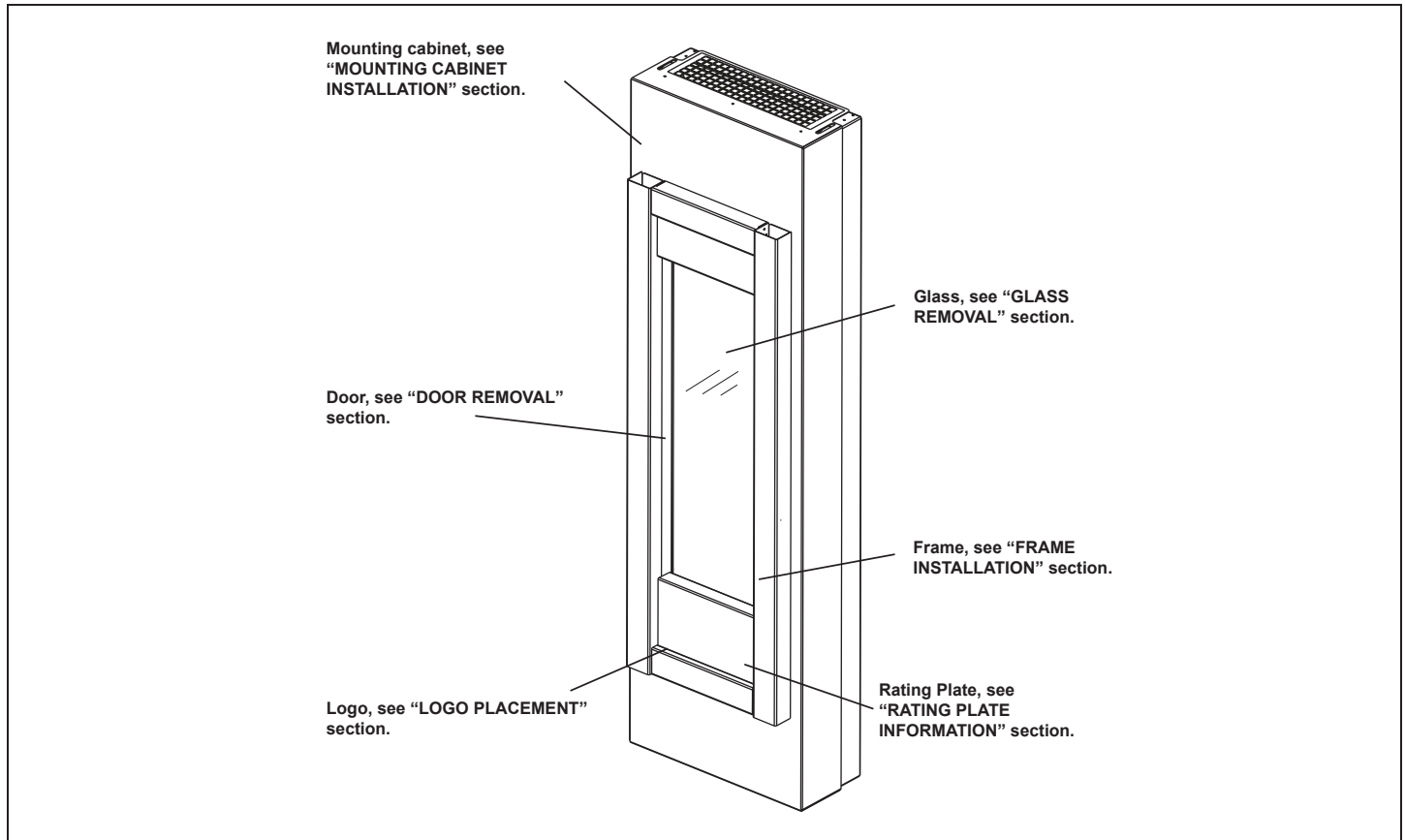
# TORCH® VF VENT FREE GAS FIREPLACE



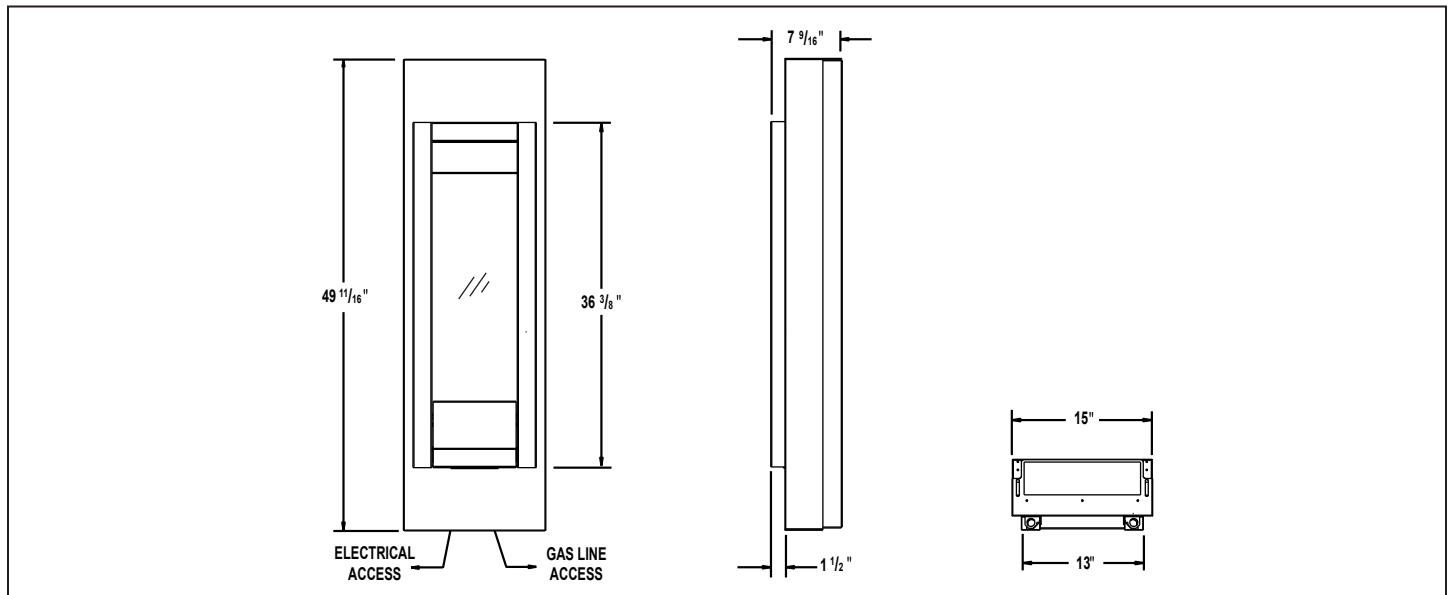
## Specifications

Model	BTU	Width	Height	Depth	Viewing Area
GVFT8	6000	48 3/8	29 1/2	9 1/8	17 7/16 x 31 5/8

## Overview



## Dimensions

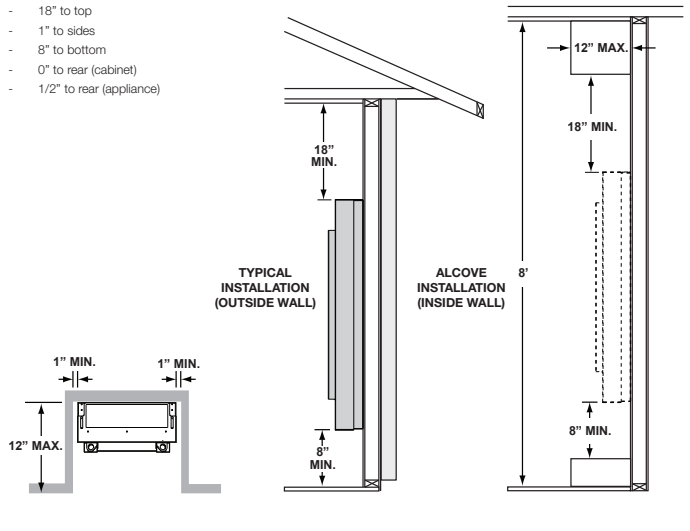


## Framing & Clearances

### Minimum Clearance to Combustibles

**MINIMUM CLEARANCES TO COMBUSTIBLES:**

- 18" to top
- 1" to sides
- 8" to bottom
- 0" to rear (cabinet)
- 1/2" to rear (appliance)



### Frame Installation

**A.** Align the two holes in the upper portion of the hinge on the control door to those in the bottom trim bracket, secure using two of the #8 x 1/2" hex head screws supplied.

**B.** Install the top trim bracket to the firebox using the three #9 - 14 x 1/2" hex head screws supplied in the TORCH® manual baggie.

**C.** Rest the top lip of the TORCH® frame on the top trim bracket, and the securing tabs at the bottom of the TORCH® frame on the bottom trim bracket.

**D.** Align the two slots in the top of the TORCH® frame with the two holes in the top trim bracket and secure using the two #10 pan head screws supplied however do not fully tighten to leave room for adjustment.

**E.** Align the holes in the securing tabs at the bottom of the TORCH® frame with the holes in the bottom trim bracket and secure using the two remaining #8 x 1/2" hex head screws, however do not fully tighten to leave room for adjustment.

**F.** If required, the bottom trim bracket can be adjusted by loosening it's securing screws.

**G.** Once the TORCH® frame is perfectly square and the control door will close without rubbing against the sides of the TORCH® frame, tighten all screws.

**H.** Open the control door.

**I.** Insert the door stop chain into the receiving slot in the control door.

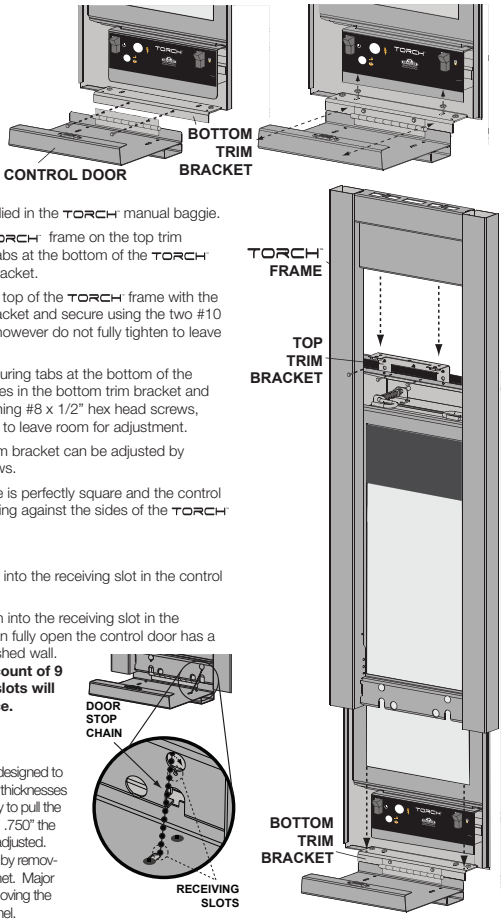
**J.** Insert the door stop chain into the receiving slot in the TORCH® frame so that when fully open the control door has a clearance of 1/8" to the finished wall.

**NOTE:** In most cases, a count of 9 balls between receiving slots will give the desired clearance.

**K.** Close the control door.

The TORCH® frame has been designed to accommodate finished material thicknesses of .500" - .750". If it is necessary to pull the TORCH® frame out to the max. .750" the magnetic catch will need to be adjusted. Minor adjustment can be made by removing shims from behind the magnet. Major adjustments can be made by moving the magnet to the outside of the panel.

Adjustment may be required to accommodate the door stop chain slack when the control door is closed. The control door securing screws can be loosened to allow adjustment. Before re-tightening the screws ensure the control door is still recessed into the TORCH® frame at a similar offset to the top trim piece.



### Mounting the Appliance

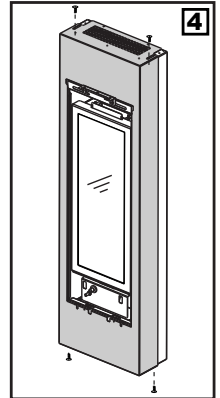
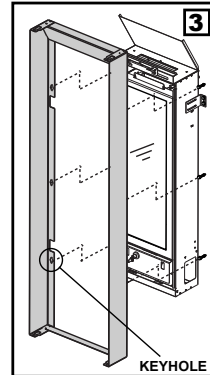
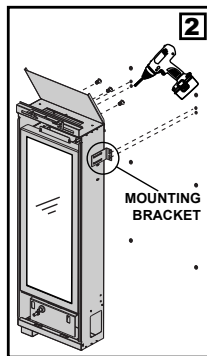
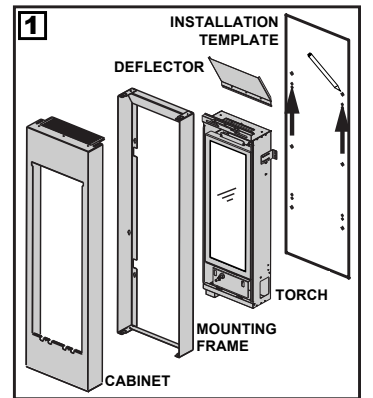
**A.** Using the installation template (W122-0401) supplied, determine the best mounting location for your new Torch, see "DIMENSIONS" or "MINIMUM CLEARANCE TO COMBUSTIBLES" section. Mark all 14 hole centres on the wall (surface) using the template.

**B.** Align the holes on the deflector with the holes on the back of the torch as illustrated. Secure with the appropriate fasteners.

**C.** Remove the template. Depending on the surface and fasteners, drill the appropriate holes. Hold the Torch up, aligning the mounting brackets to the mounting holes. Secure the Torch to the wall using the appropriate fasteners. **NOTE: The Torch has been designed to have a 1/2" clearance between the rear outer panel and the mounting surface.**

**D.** Start the fasteners into each of the six remaining mounting holes. Align the keyholes of the frame to the heads of the fasteners and slide the frame down onto the fasteners. Ensure the frame is plumb and level before tightening the fasteners. **NOTE: It is recommended that the gas and electrical be connected to the appliance at this stage. Both must enter the appliance at the opening created between the bottom of the Torch and the bottom of the mounting frame.**

**E.** Slide the front of the cabinet over the mounting frame, ensuring the "mesh" is to the top. Start each of the four screws (supplied) through the slots. Once the cabinet has been adjusted for depth the four screws can be tightened.



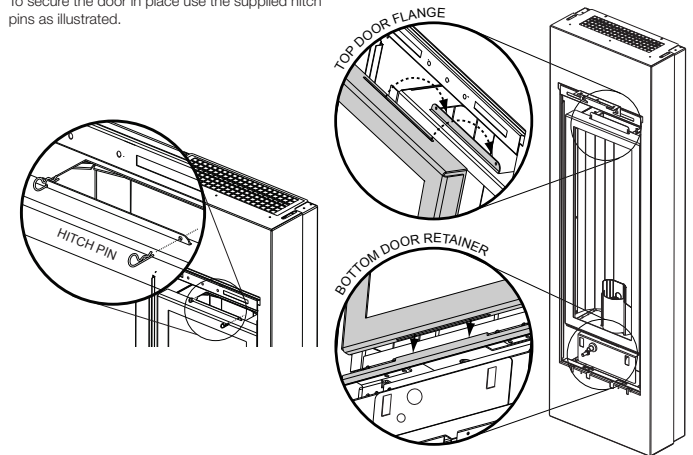
### Door Removal / Installation

The door is held in place at the bottom by a retainer tab that inserts into a slot in the bottom edge of the door, and at the top with a tab that secures in the same fashion. The door is removed by lifting it off the tabs. When replacing, guide the door over the upper tab first, then over the lower tab.

**SECURING THE DOOR IN PLACE**

When shipped, the door is secured with two hitch pins along the top edge, replacing them is optional.

To secure the door in place use the supplied hitch pins as illustrated.



Product information provided is not complete and is subject to change without notice. Please consult the installation manual for the most up to date installation information.